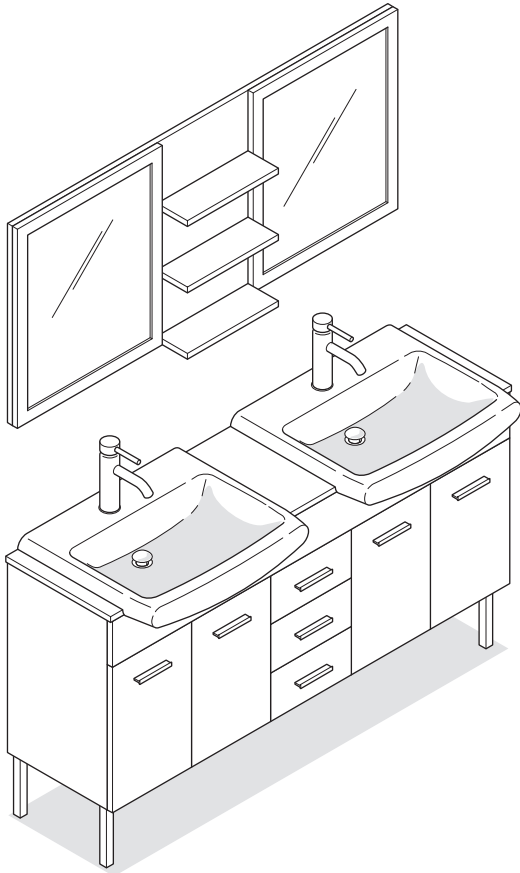




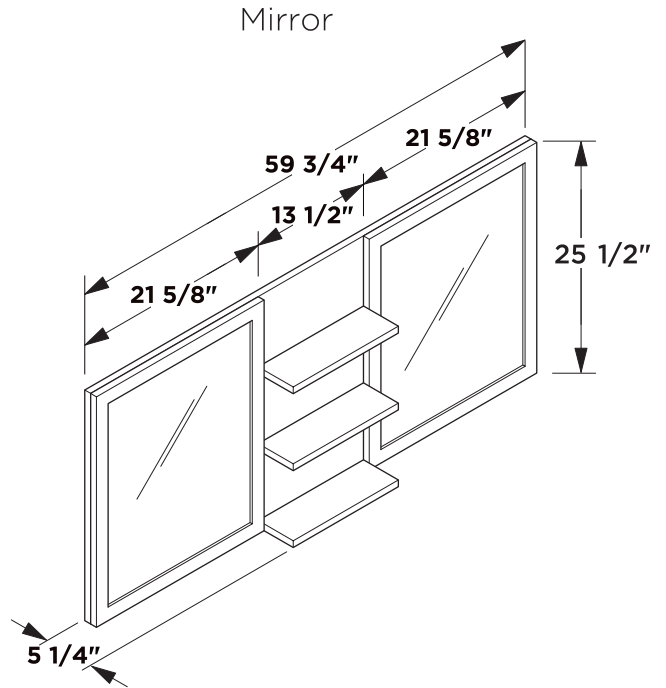
FVN6193
VETTA
INSTALLATION GUIDE



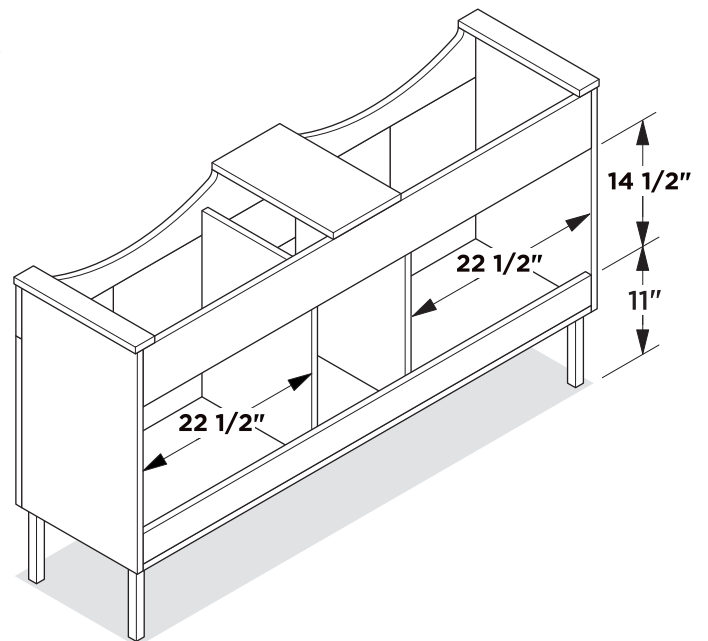
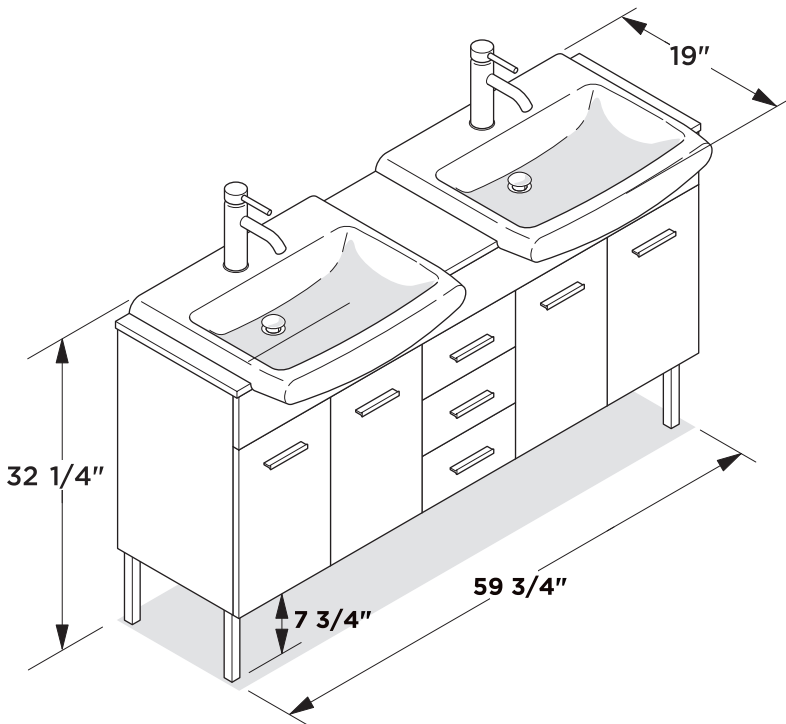
FRESCA®



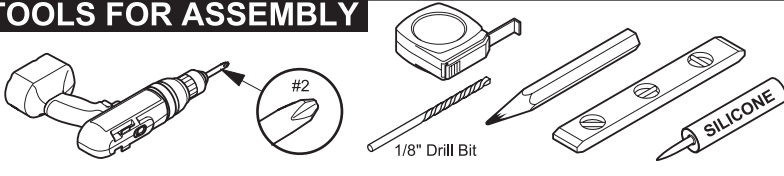
Vanity Front



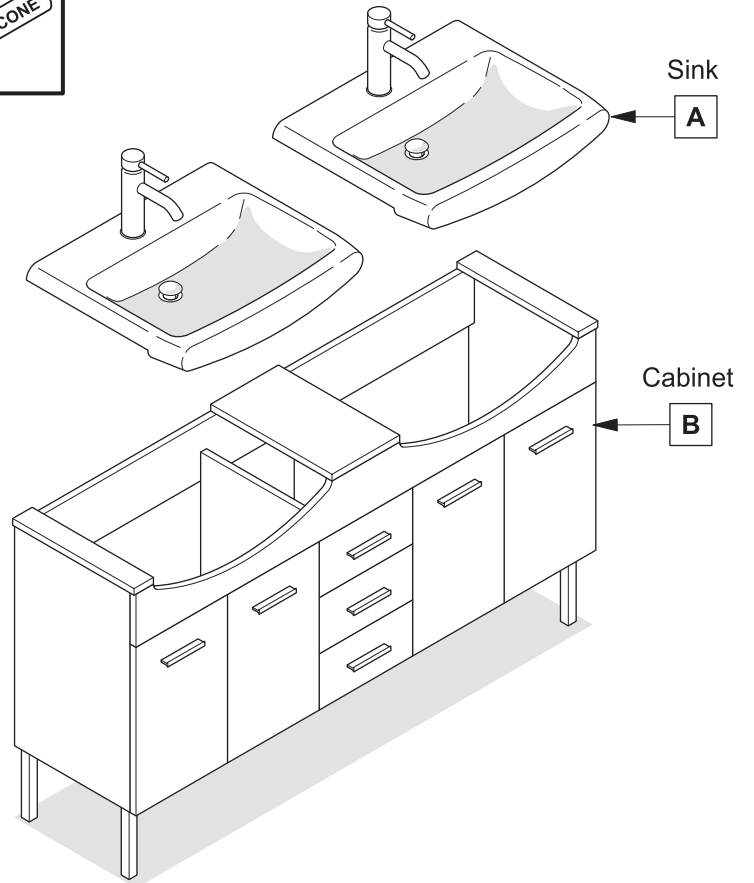
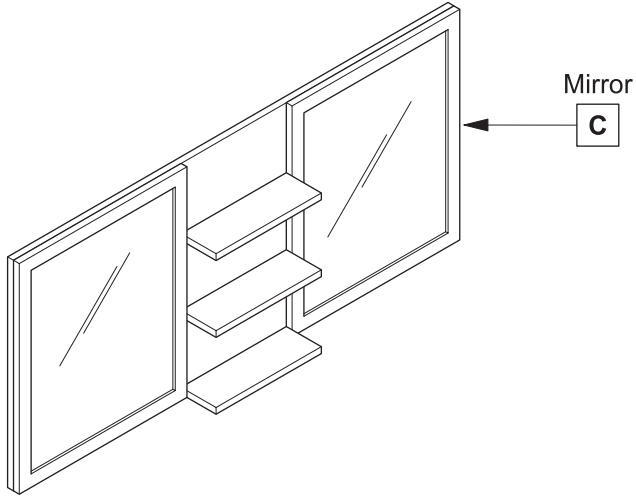
Vanity Back



TOOLS FOR ASSEMBLY

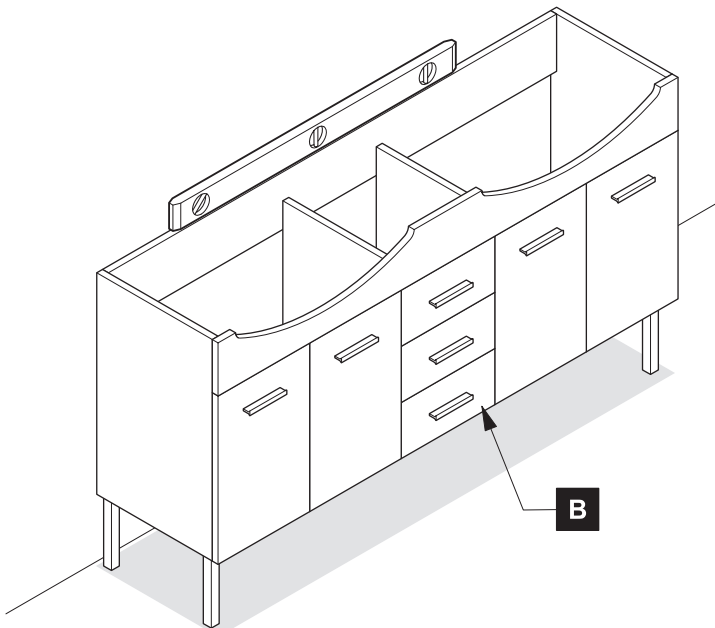


PARTS

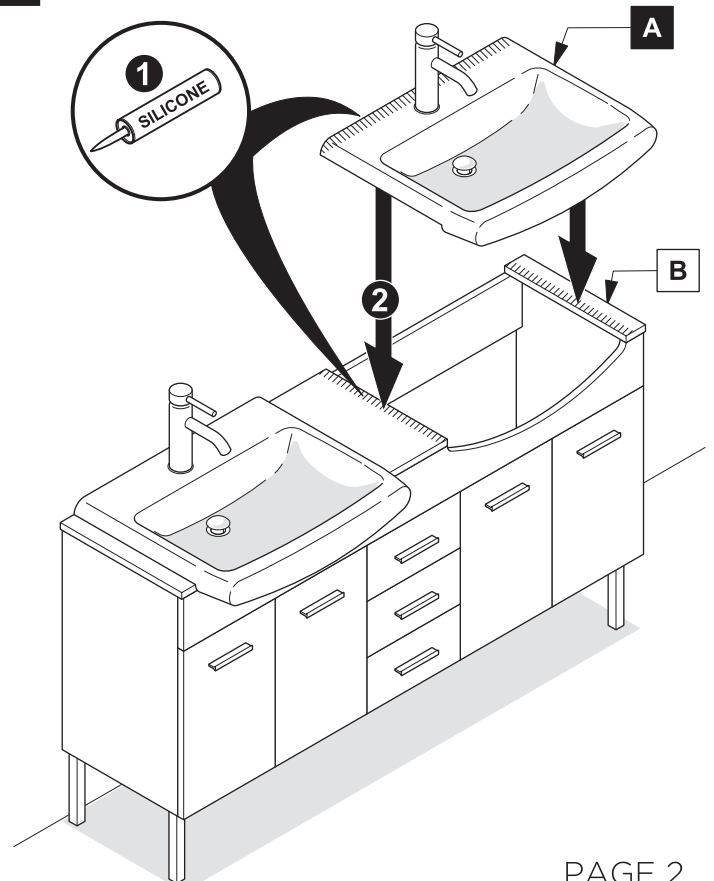


1 Install cabinet (B)

IMPORTANT: Consult an expert for the proper screws/bolts to use when attaching to various wall constructions. Screws provided do not attach to all wall construction types.

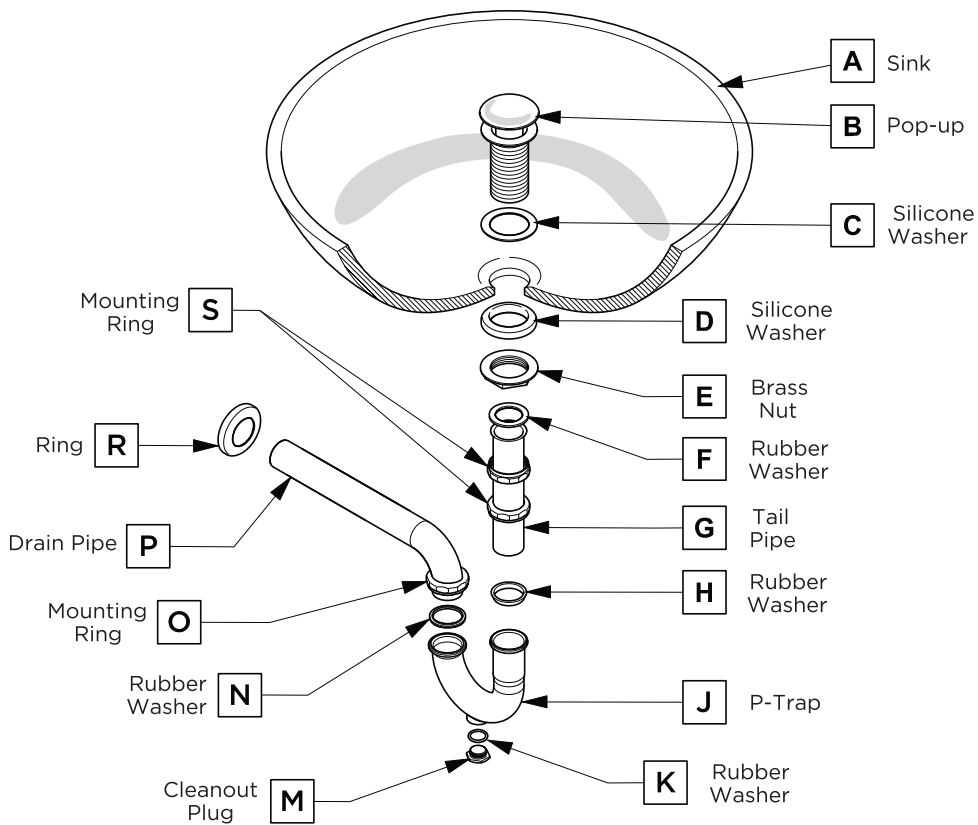


2 Apply silicone and install sinks (A)



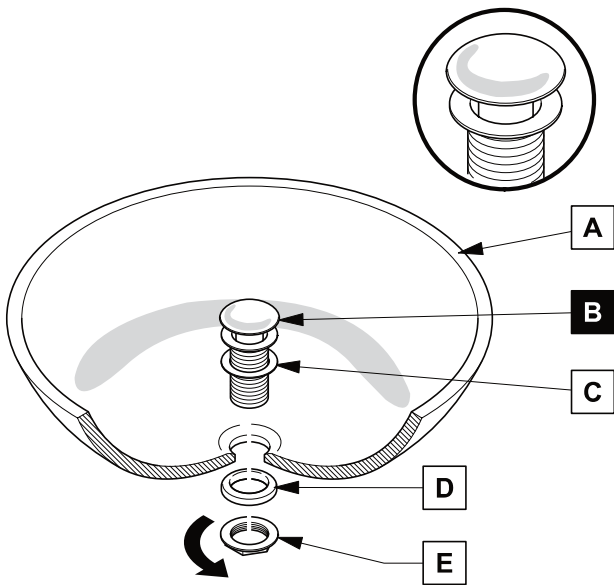
P-TRAP AND POP-UP INSTALLATION INSTRUCTIONS

Your item may appear slightly different from the illustration



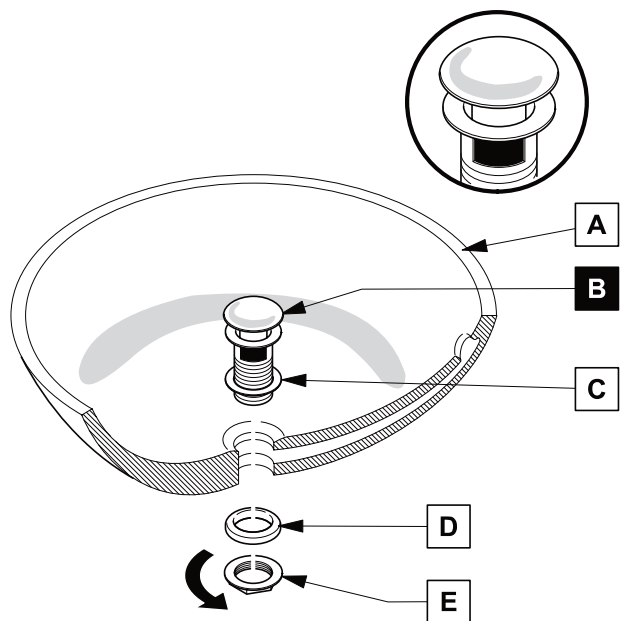
POP-UP INSTALLATION

FOR SINKS WITHOUT OVERFLOW



OR

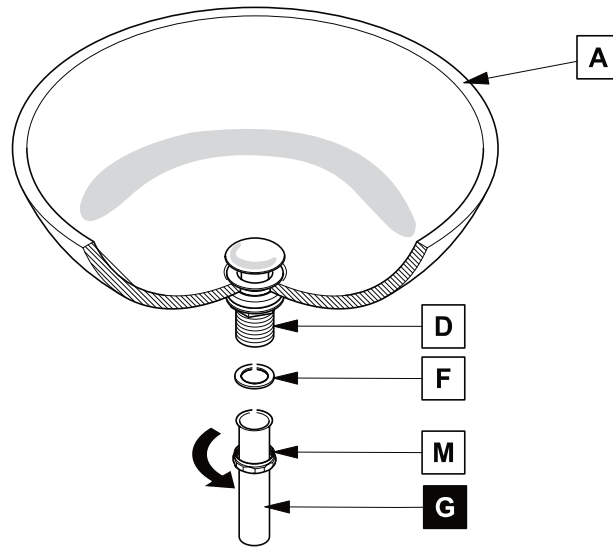
FOR SINKS WITH OVERFLOW



P-TRAP INSTALLATION

1

Install tail pipe (G)



2

Install p-trap (J)

