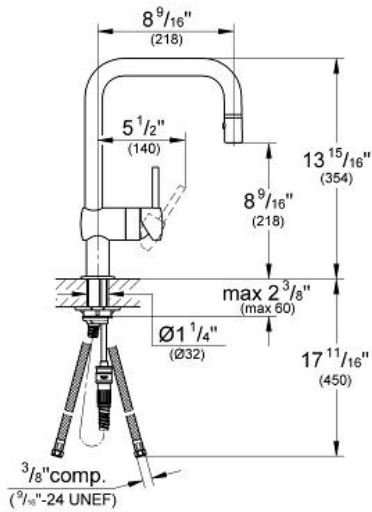


MINTA  
Single-lever sink mixer 1/2"  
MODEL # 32319000

Pure Freude an Wasser



GROHE America, Inc | 200 North Gary Avenue, Suite G, Roselle, IL 60172  
Phone: +1 (800) 444-7643 | Fax: +1 (800) 225-2778 | us-customerservice@grohe.com



**Product Description:**  
Single-lever sink mixer 1/2"

**Standard Specification:**

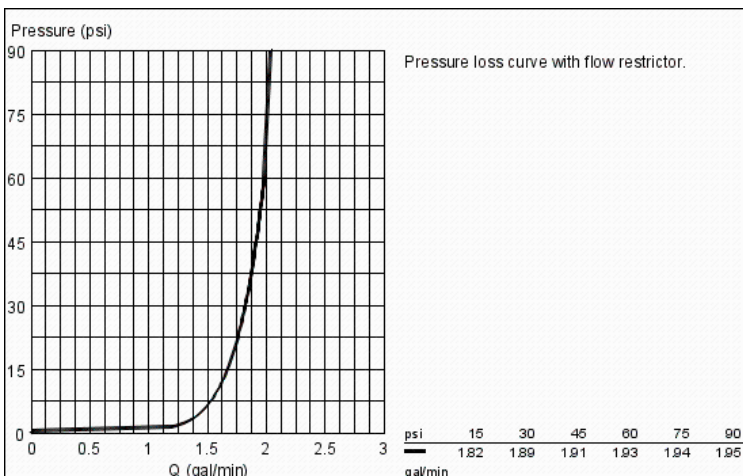
- **Dual Spray Pull-Out**
- Single hole installation
- **GROHE SilkMove** ceramic cartridge
- Adjustable flow rate limiter
- Swivel Spout
- Extractable integrated trigger spray
- Automatic returning
- Integrated non-return valve
- **SpeedClean**® anti-lime system
- Stainless steel flex lines
- Quick installation system
- Single Lever Handle
- Variable Handle Positioning
- **Protected against backflow**
- Max Flow Rate: 1.75 gpm (6.6 L/min)

**Applicable Codes & Standards:**

- Energy Policy Act of 1992
- NSF 61
- ASME A112.18.1/CSA B125.1
- US Federal and State material regulations
- ICC/ANSI A117.1
- CalGreen

**Color:**

- 32319000 000 chrome

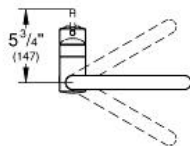
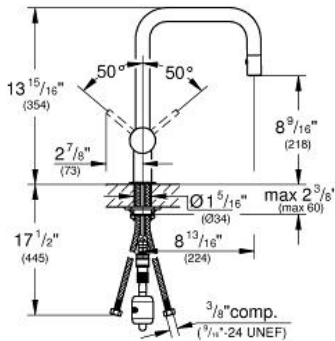


MINTA  
Single-lever sink mixer 1/2"  
MODEL # 32319DC0

Pure Freude an Wasser



GROHE America, Inc | 200 North Gary Avenue, Suite G, Roselle, IL 60172  
Phone: +1 (800) 444-7643 | Fax: +1 (800) 225-2778 | us-customerservice@grohe.com



**Product Description:**  
Single-lever sink mixer 1/2"

**Standard Specification:**

- Dual Spray Pull-Out
- Single hole installation
- GROHE SilkMove ceramic cartridge
- Adjustable flow rate limiter
- Swivel Spout
- Extractable integrated trigger spray
- Automatic returning
- Integrated non-return valve
- SpeedClean® anti-lime system
- Stainless steel flex lines
- Quick installation system
- Single Lever Handle
- Variable Handle Positioning
- Protected against backflow
- Max Flow Rate: 1.75 gpm (6.6 L/min)

**Applicable Codes & Standards:**

- Energy Policy Act of 1992
- NSF 61
- ASME A112.18.1/CSA B125.1
- US Federal and State material regulations
- ICC/ANSI A117.1
- CalGreen

**Color:**

- 32319DC0 DC0 supersteel

