

AXOR Citterio E

Rough, Axor Citterio E Thermostatic 2-Function Module, 15"x5"

Finishes : n.a. Part no. : 36701181



Description

Features

- Quick connection for easy, leak-free installation

Item details

List Price \$ 1,102.00

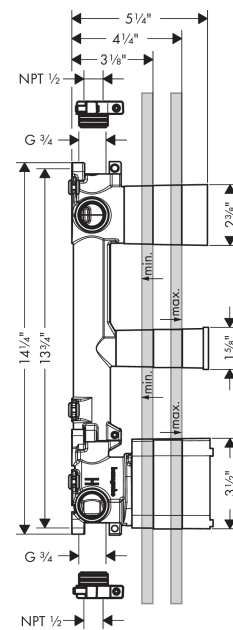
Compliance



Product image



Scale drawing



AXOR Citterio E

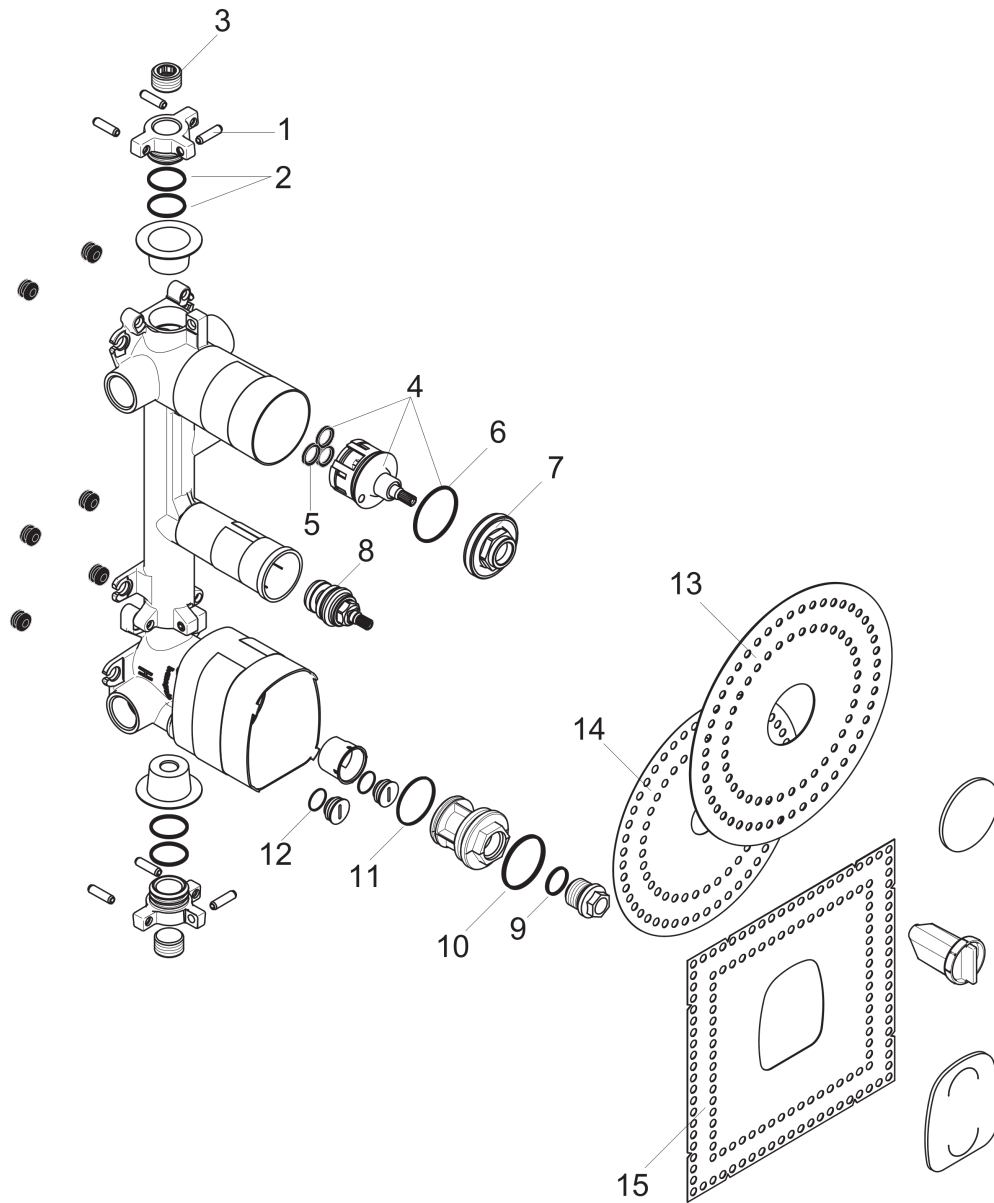
Rough, Axor Citterio E Thermostatic 2-Function Module, 15"x5"

Finishes : n.a. Part no. : 36701181



Exploded drawing

Year of production: >01/16



AXOR Citterio E

Rough, Axor Citterio E Thermostatic 2-Function Module, 15"x5"

Finishes : n.a. Part no. : 36701181



Spare parts list

Year of production: >01/16

Pos.	Description	Part no.	Price	PU
1	pin	95334000	-	1
2	O-Ring 23x2,5	98183000	-	1
3	plug	97998001	-	1
4	diverter unit	95509000	-	1
5	sealing set	98798000	-	1
6	O-ring 39x2,5	92322000	-	1
7	screw M5 x 24	97555000	-	1
8	shut off unit with spindle DN20 (3/4")	92929000	-	1
9	O-ring 18x2	98181000	-	1
10	O-ring 38x2,5	98198000	-	1
11	O-ring 34x2	98383000	-	1
12	O-ring 15x1,5	92118000	-	1
13	sealing foil	96493000	-	1
14	sealing foil	96492000	-	1
15	sealing foil	95389000	-	1
a	plug	92859000	-	1