

Allegro E
Allegro E Pot Filler, Deck-Mounted
 Finishes : **chrome** Part no. : **04060000**



Description

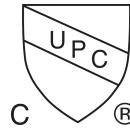
Features

- Swivel range 360°
- Aerated spray
- Flow: 2.5 GPM
- 90° ceramic valves
- 1/2" NPT
- California Low Lead / Section 116875 CHSC

Item details

List Price \$ 840.00

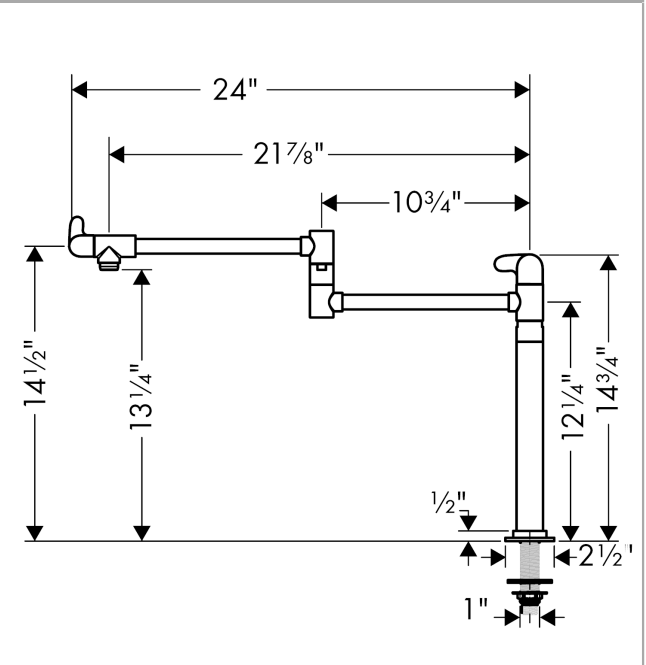
Compliance



Product image



Scale drawing

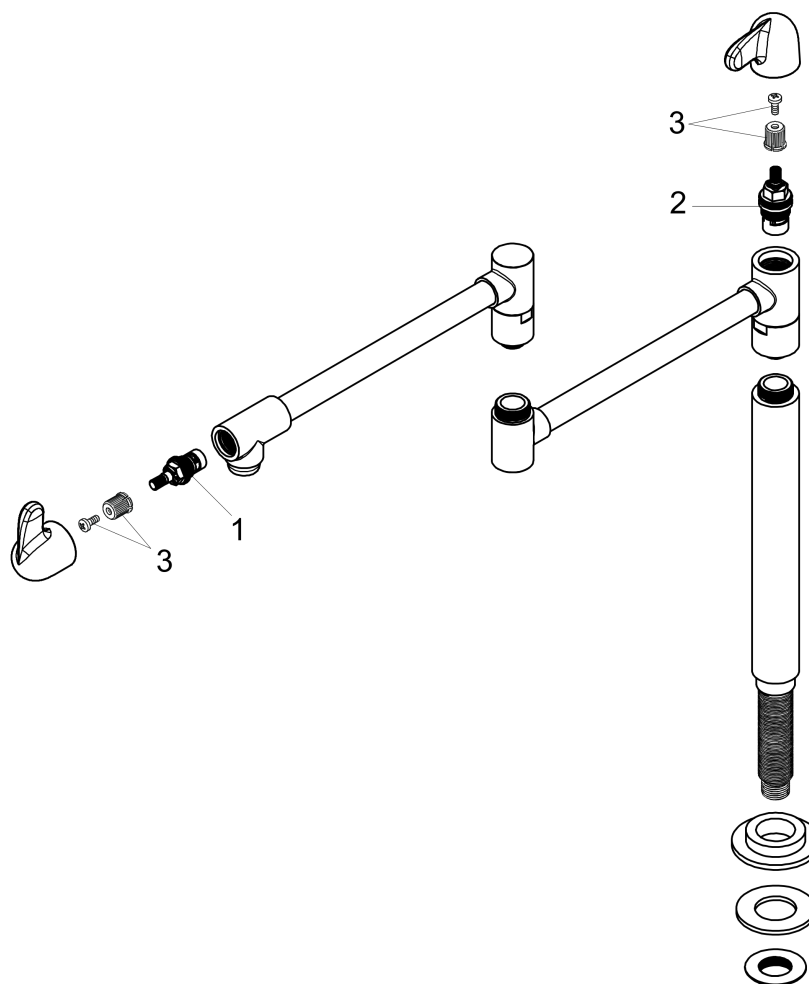


Allegro E
Allegro E Pot Filler, Deck-Mounted
Finishes : **chrome** Part no. : **04060000**



Exploded drawing

Year of production: >06/08



Allegro E
Allegro E Pot Filler, Deck-Mounted
Finishes : **chrome** Part no. : **04060000**



Spare parts list

Year of production: >06/08

Pos.	Description	Part no.	Price	PU
1	shut off unit	88789000	-	1
2	shut off unit	88790000	-	1
3	handle fixing set	98932000	-	1

Allegro E
Allegro E Pot Filler, Deck-Mounted
 Finishes : **steel optic** Part no. : **04060860**



Description

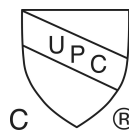
Features

- Swivel range 360°
- Aerated spray
- Flow: 2.5 GPM
- 90° ceramic valves
- 1/2" NPT
- California Low Lead / Section 116875 CHSC

Item details

List Price \$ 1,110.00

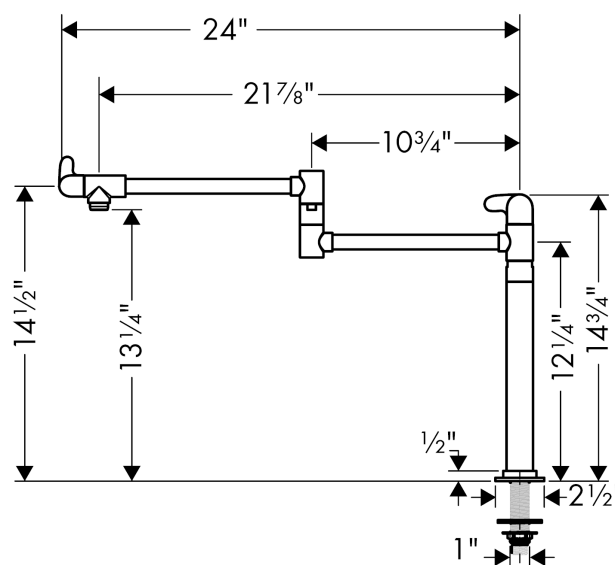
Compliance



Product image



Scale drawing

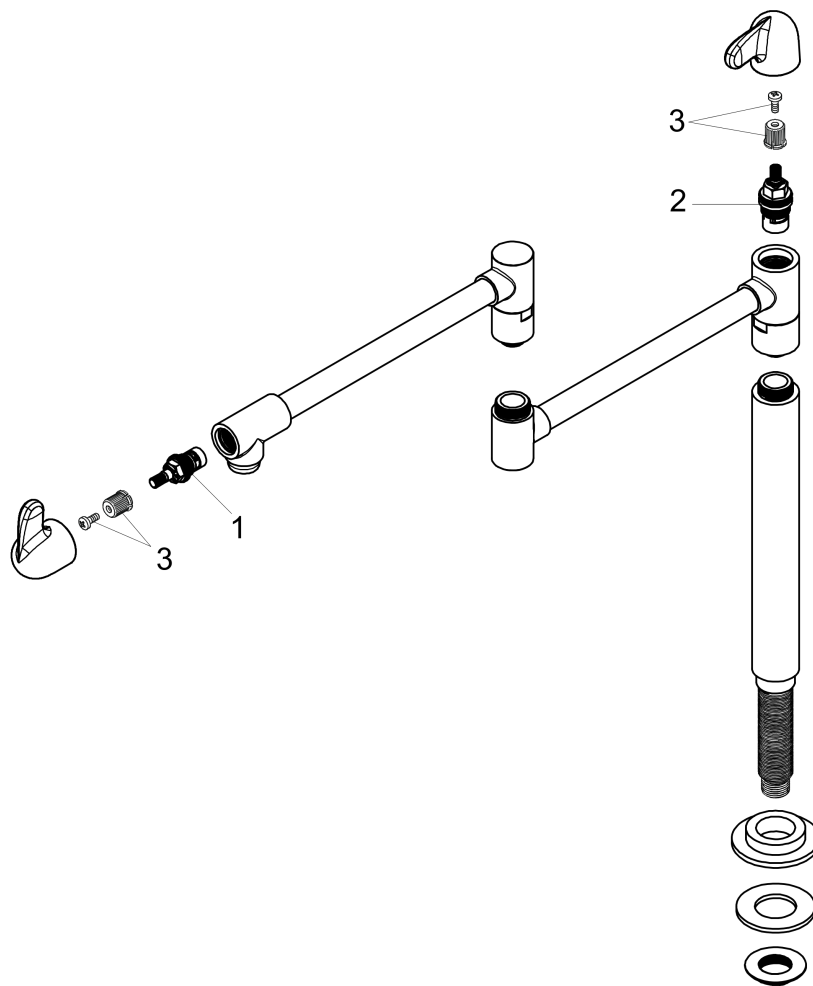


Allegro E
Allegro E Pot Filler, Deck-Mounted
Finishes : **steel optic** Part no. : **04060860**



Exploded drawing

Year of production: >08/08



Allegro E
Allegro E Pot Filler, Deck-Mounted
Finishes : **steel optic** Part no. : **04060860**



Spare parts list

Year of production: >08/08

Pos.	Description	Part no.	Price	PU
1	shut off unit	88789000	-	1
2	shut off unit	88790000	-	1
3	handle fixing set	98932000	-	1