

AXOR Citterio E

Axor Citterio E Wall-Mounted Single-handle Faucet Trim with Base Plate

Finishes : **chrome** Part no. : **36114001**



Description

Features

- Laminar spray
- Flow: 1.2 GPM
- Joystick ceramic cartridge
- Pop-up assembly not included

Required accessories

- Rough, Wall-Mounted Single-Handle Faucet (#13622USA)

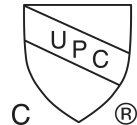
Item details

List Price \$ 1,075.00

Technology



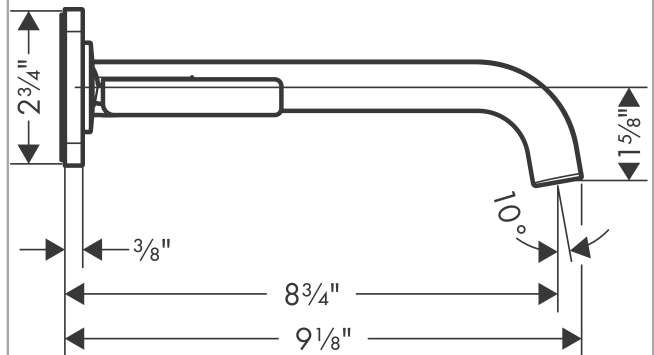
Compliance



Product image



Scale drawing



AXOR Citterio E

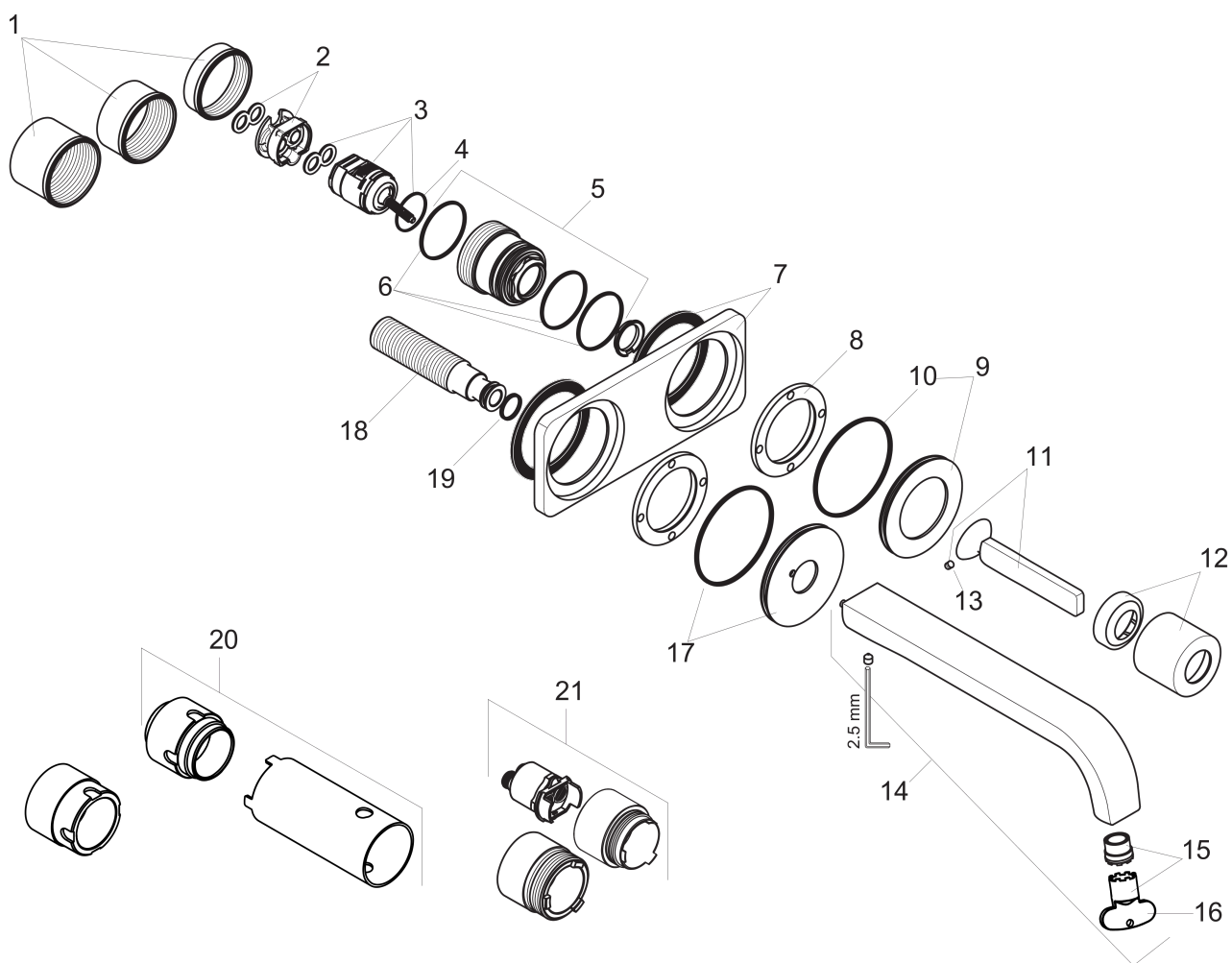
Axor Citterio E Wall-Mounted Single-handle Faucet Trim with Base Plate

Finishes : **chrome** Part no. : **36114001**



Exploded drawing

Year of production: >07/16



AXOR Citterio E

Axor Citterio E Wall-Mounted Single-handle Faucet Trim with Base Plate

Finishes : **chrome** Part no. : **36114001**



Spare parts list

Year of production: >07/16

Pos.	Description	Part no.	Price	PU
1	fixing set	97971000	-	1
2	adapter for cartridge	95644000	-	1
3	cartridge, assy	96339000	-	1
4	O-ring 21,95x1,78	95169000	-	1
5	nut	95777000	-	1
6	O-ring 34x2	98383000	-	1
7	escutcheon	92496000	-	1
8	nut	97601000	-	1
9	escutcheon for handle	96912000	-	1
10	O-ring 57x2,5	98394000	-	1
11	handle	92335000	-	1
12	flange	95776000	-	1
13	hollow set screw M4x6	97767000	-	1
14	spout 220 mm	92336000	-	1
15	aerator laminar M16,5x1 (4,5 l/min)	92876000	-	1
16	special tool	98987000	-	1
17	escutcheon for spout	93097000	-	1
18	connecting thread G½	95626000	-	1
19	O-ring 13x2	98128000	-	1
20	extension set 25 mm for 13622180	31971000	-	1
21	extension set for 38111180	38982000	-	1
a	conversion kit	95643000	-	1
b	adapter for cartridge	97280000	-	1
c	Grease	90920000	-	1