

## AXOR Citterio E

### Axor Citterio E Widespread Faucet

Finishes : **chrome** Part no. : **36108001**



#### Description

##### Features

- Laminar spray
- Flow: 1.2 GPM
- 90° ceramic valves
- Includes pop-up assembly

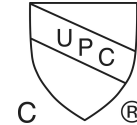
#### Item details

List Price \$ 1,042.00

#### Technology



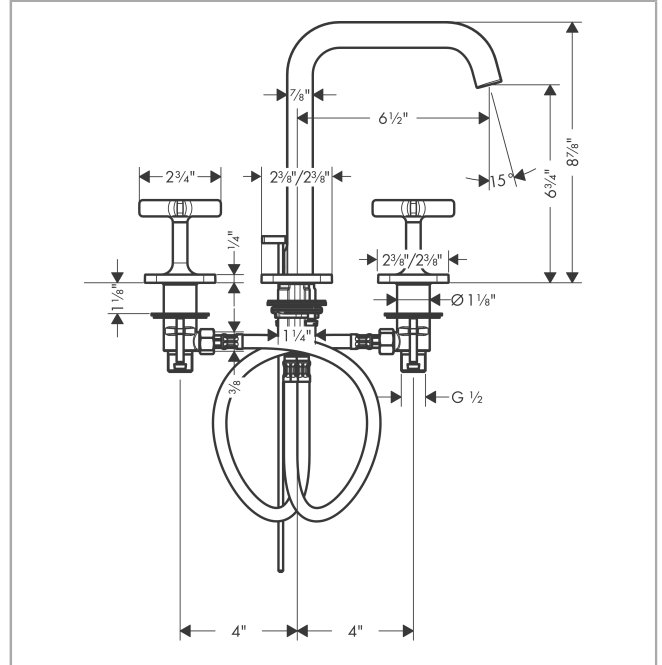
#### Compliance



#### Product image



#### Scale drawing

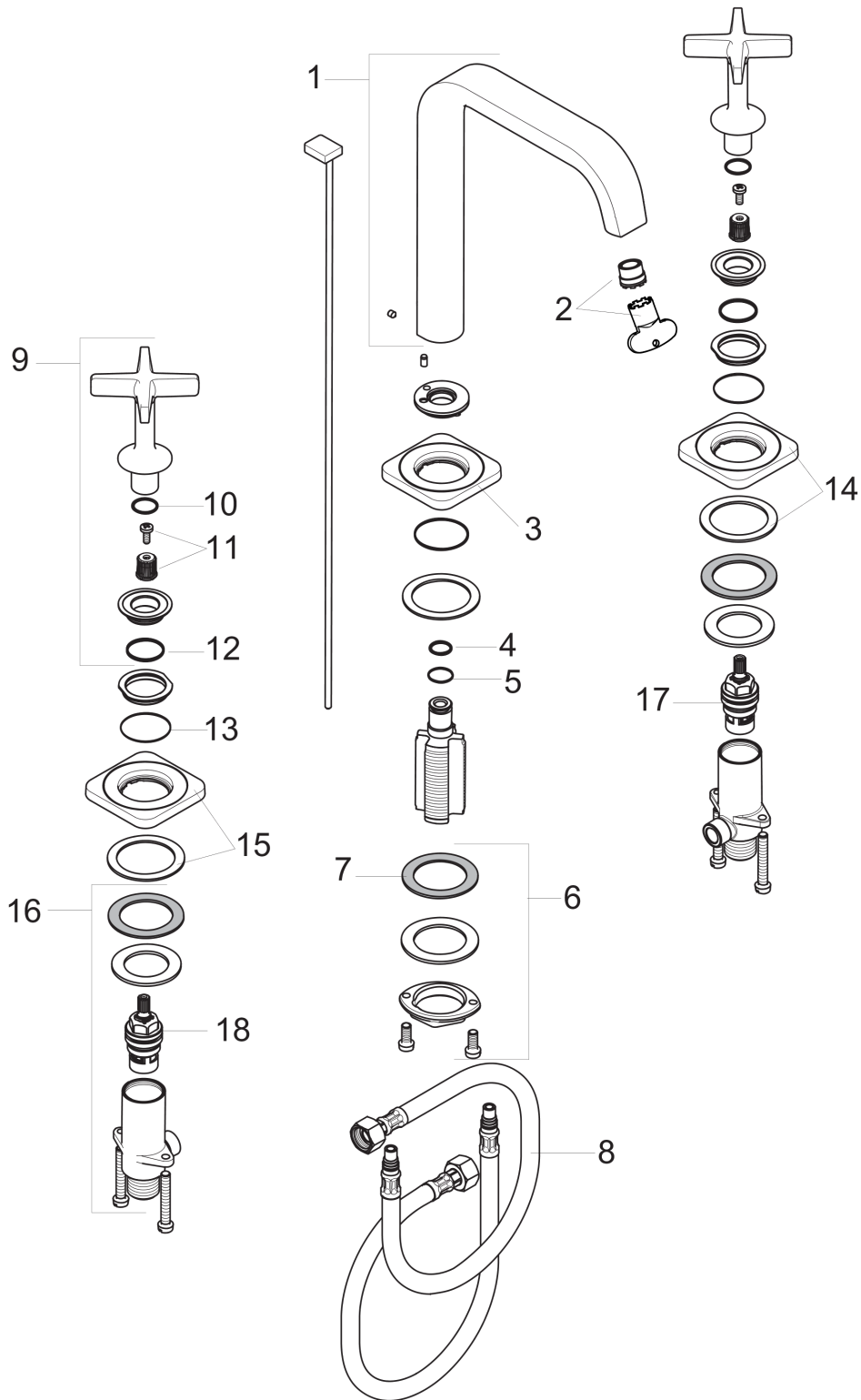


**AXOR Citterio E**  
**Axor Citterio E Widespread Faucet**  
Finishes : **chrome**    Part no. : **36108001**



## Exploded drawing

Year of production: >07/16



**AXOR Citterio E**  
**Axor Citterio E Widespread Faucet**  
 Finishes : **chrome**    Part no. : **36108001**



## Spare parts list

Year of production: >07/16

Pos.	Description	Part no.	Price	PU
1	spout cpl.	92394000	-	1
2	aerator laminar M16,5x1 (4,5 l/min)	92876000	-	1
3	escutcheon	98930000	-	1
4	O-ring 11x2	98127000	-	1
5	O-Ring 14x1,5	98201000	-	1
6	fixing set (Ø 32)	13961000	-	1
7	lever collar	97548000	-	1
8	connection hose 18½" M8x0,75 3/8"	96321001	-	1
9	handle	92396000	-	1
10	O-ring 13x2	98128000	-	1
11	handle fixing set	98932000	-	1
12	O-ring 21x2	98205000	-	1
13	O-ring 29x1,5	92738000	-	1
14	escutcheon cold water	92398000	-	1
15	escutcheon hot water	92397000	-	1
16	stop valve cpl.	97357001	-	1
17	shut off unit left closing	94008000	-	1
18	shut off unit right closing	94009000	-	1
a	pop up waste	88509000	-	1
b	fixation extension 35 mm	13898000	-	1