

AXOR Citterio E

Axor Citterio E Wall-Mounted Widespread Faucet Trim

Finishes : **chrome** Part no. : **36107001**



Description

Features

- Laminar spray
- Flow: 1.2 GPM
- 90° ceramic valves
- Pop-up assembly not included

Required accessories

- Rough, Wall-Mounted Widespread Faucet (#10303USA)

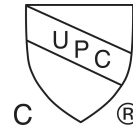
Item details

List Price \$ 833.00

Technology



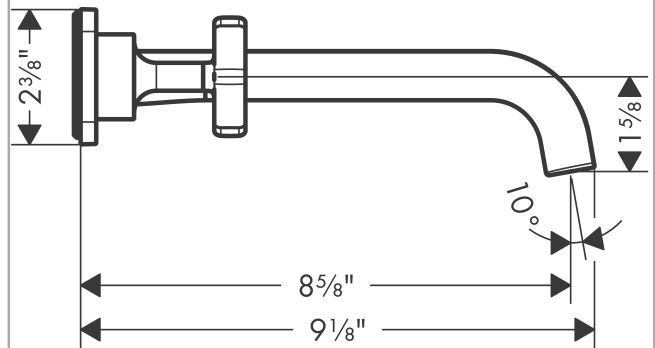
Compliance



Product image



Scale drawing

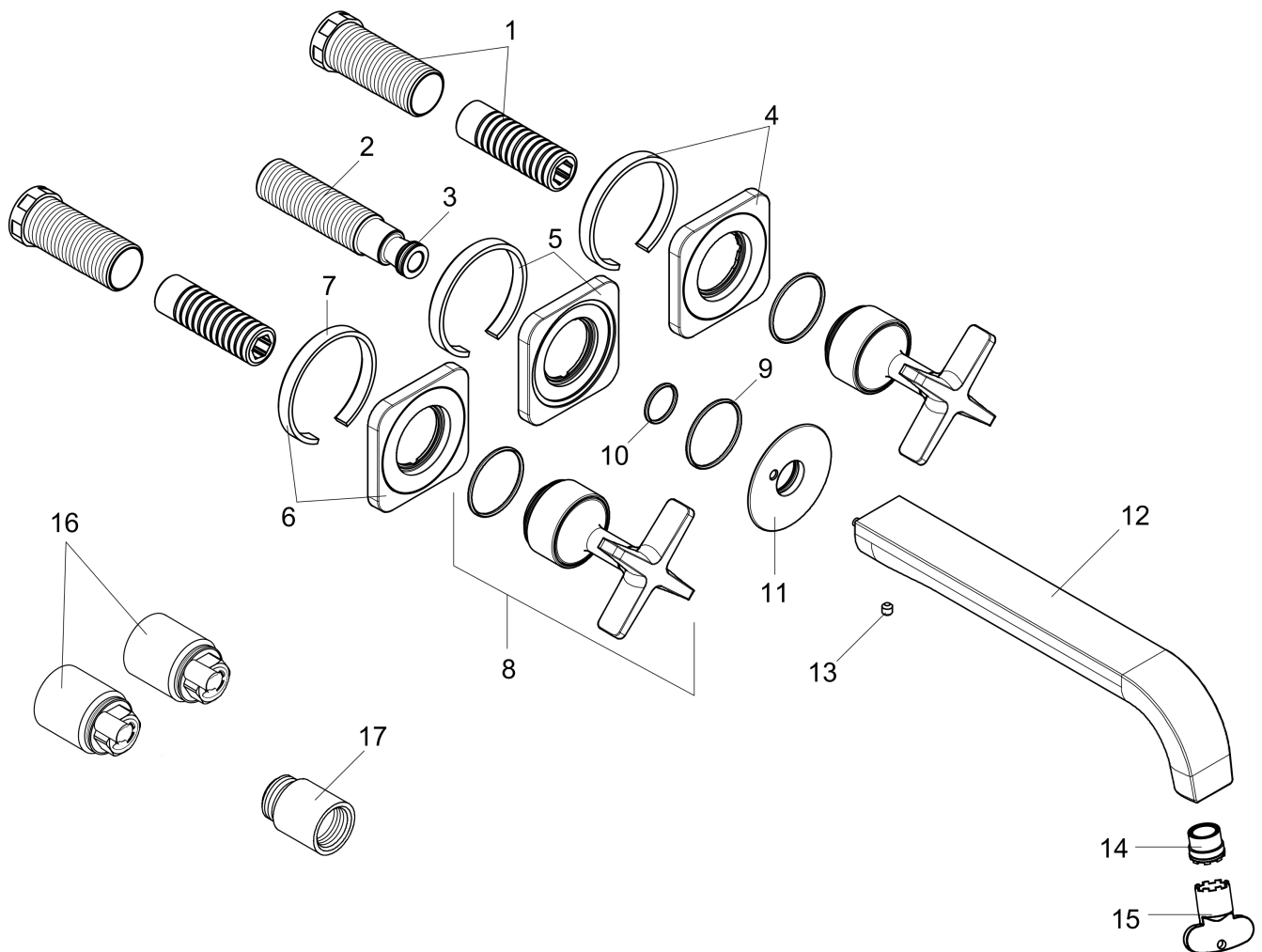


AXOR Citterio E
Axor Citterio E Wall-Mounted Widespread Faucet Trim
Finishes : **chrome** Part no. : **36107001**



Exploded drawing

Year of production: >07/16



AXOR Citterio E

Axor Citterio E Wall-Mounted Widespread Faucet Trim

Finishes : **chrome** Part no. : **36107001**



Spare parts list

Year of production: >07/16

Pos.	Description	Part no.	Price	PU
1	fixing set	96393000	-	1
2	connecting thread G½	95626000	-	1
3	O-ring 13x2	98128000	-	1
4	escutcheon cold water	92398000	-	1
5	escutcheon	92359000	-	1
6	escutcheon hot water	92397000	-	1
7	seal	97530000	-	1
8	handle	92343000	-	1
9	O-ring 30x1,5	98433000	-	1
10	O-ring 17x1,5	98137000	-	1
11	escutcheon for spout	92342000	-	1
12	spout 220 mm	92336000	-	1
13	hollow set screw M5x5	98446000	-	1
14	aerator laminar M16,5x1 (4,5 l/min)	92876000	-	1
15	special tool	98987000	-	1
a	extension 25 mm	96259000	-	1
b	extension 25 mm	95413000	-	1