

**FEATURED MODEL**

4401732 30" Single, 9-1/4" bowl depth, ANTHRACITE

**ADDITIONAL MODELS**

4401733 30" Single, 9-1/4" bowl depth, CAFE BROWN

4401734 30" Single, 9-1/4" bowl depth, WHITE

**FEATURES**

- Requires modified cabinet: 33" or 36"
- 80% solid granite
- Heat resistant up to 536°F
- Unsurpassed cleanability backed by industry leading 7 patents!
- Resistant to scratches, stains and all household acids and alkali solutions
- Template provided with approximate 1/8" reveal
- Apron front is 10" high
- Rim width is 1-1/2"
- Limited lifetime warranty

**OPTIONAL ACCESSORIES**

Bottom Sink Grid: 233532

Floating Sink Grid: 233530

**CODE/STANDARDS COMPLIANCE**

ANSI Z124.6-97

IAPMO/UPC listed

**WARRANTY**

BLANCO'S SILGRANIT II Series sinks feature a LIMITED LIFETIME WARRANTY to be free of all manufacturing defects under normal use. See our complete warranty for details.

While BLANCO endeavors to provide accurate information, all dimensions are nominal, cannot be guaranteed, and are subject to change or cancellation. BLANCO assumes no responsibility for use of superseded or voided specifications.

**JOB INFORMATION**

Job Name: \_\_\_\_\_

Contact: \_\_\_\_\_

Date Specified: \_\_\_\_\_

Specifier: \_\_\_\_\_

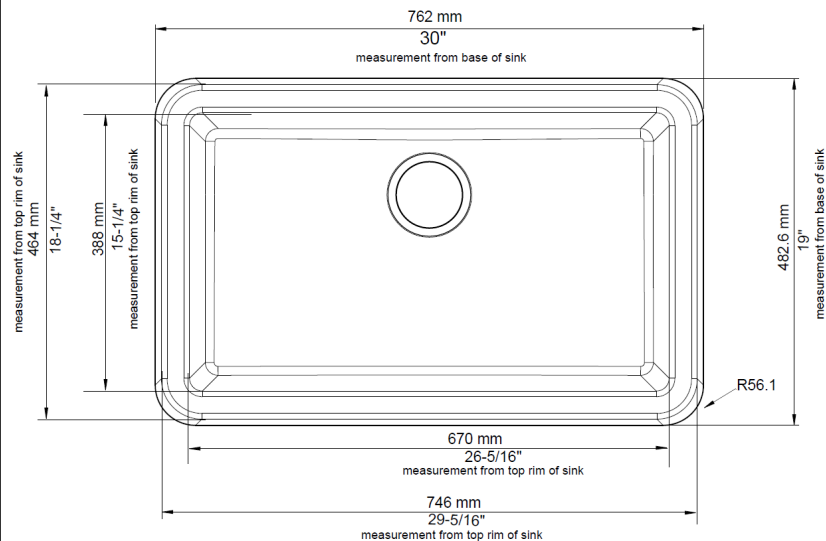
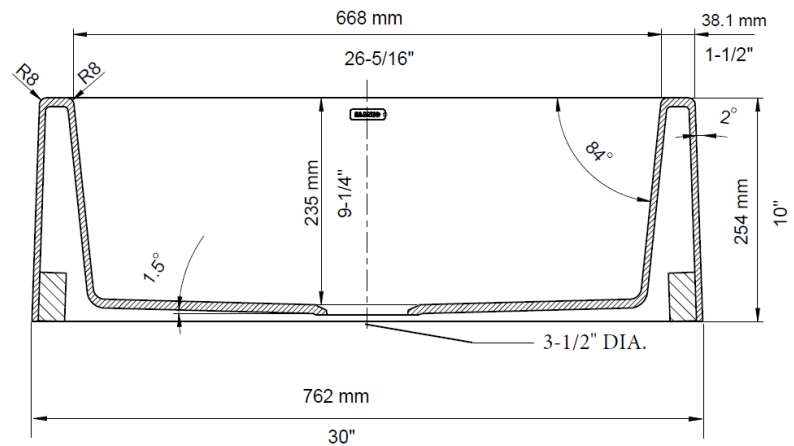
Contractor: \_\_\_\_\_

Model 401732 shown

**NOMINAL DIMENSIONS**

| OVERALL   | CUTOUT SIZE                                    | BOWL DEPTH | DRAIN DIAMETER |
|-----------|--|------------|----------------|
| 30" x 19" | Template provided with approximate 1/8" reveal | 9-1/4"     | 3-1/2"         |

DXF cutout templates available on our website.



**BLANCO AMERICA**

800.451.5782

www.blancoamerica.com

© 2016 BLANCO AMERICA

1/16

SPEC-001