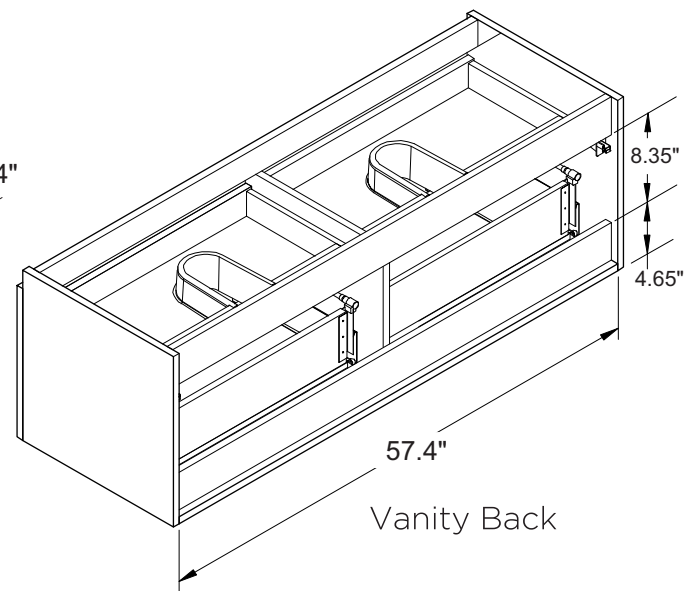
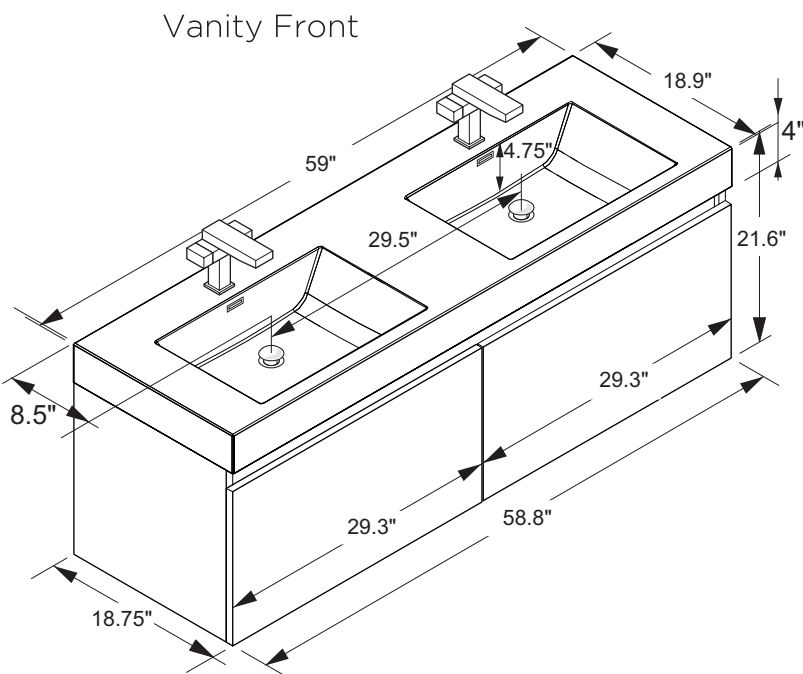
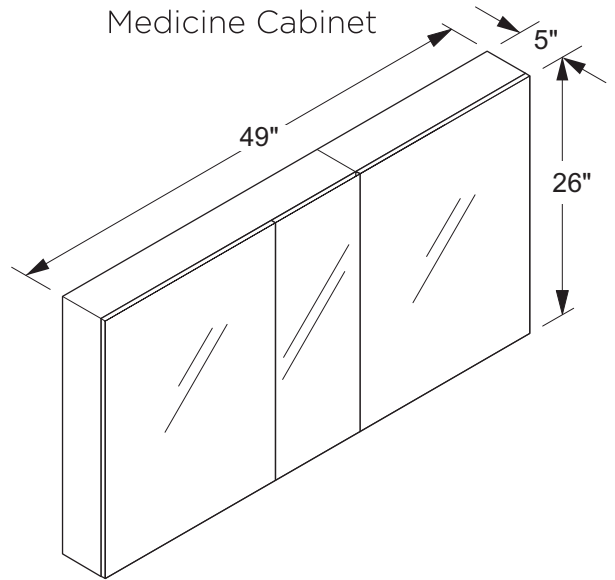
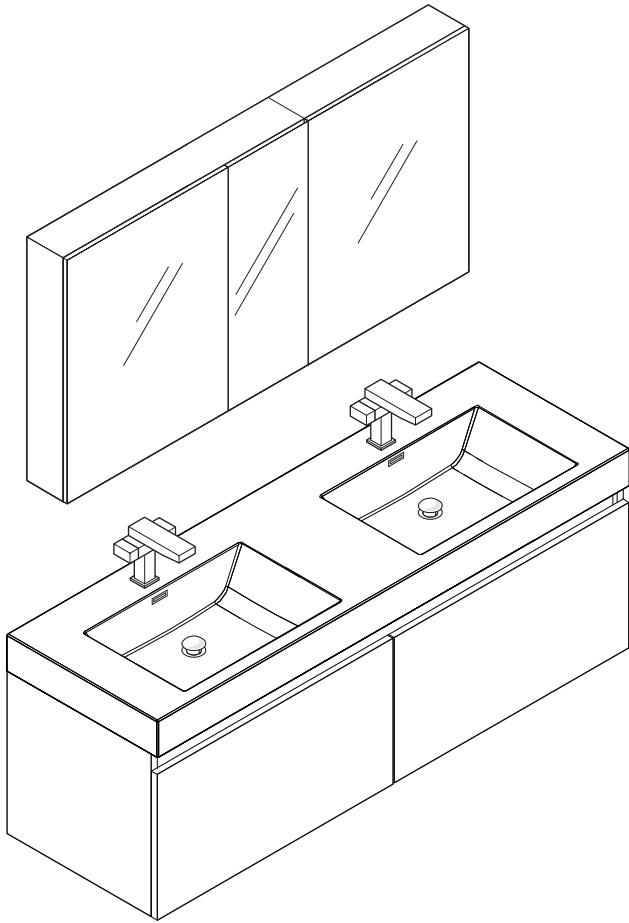
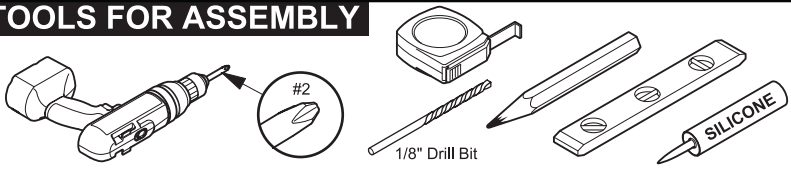


**FVN8042**  
**MEZZO**  
**INSTALLATION GUIDE**

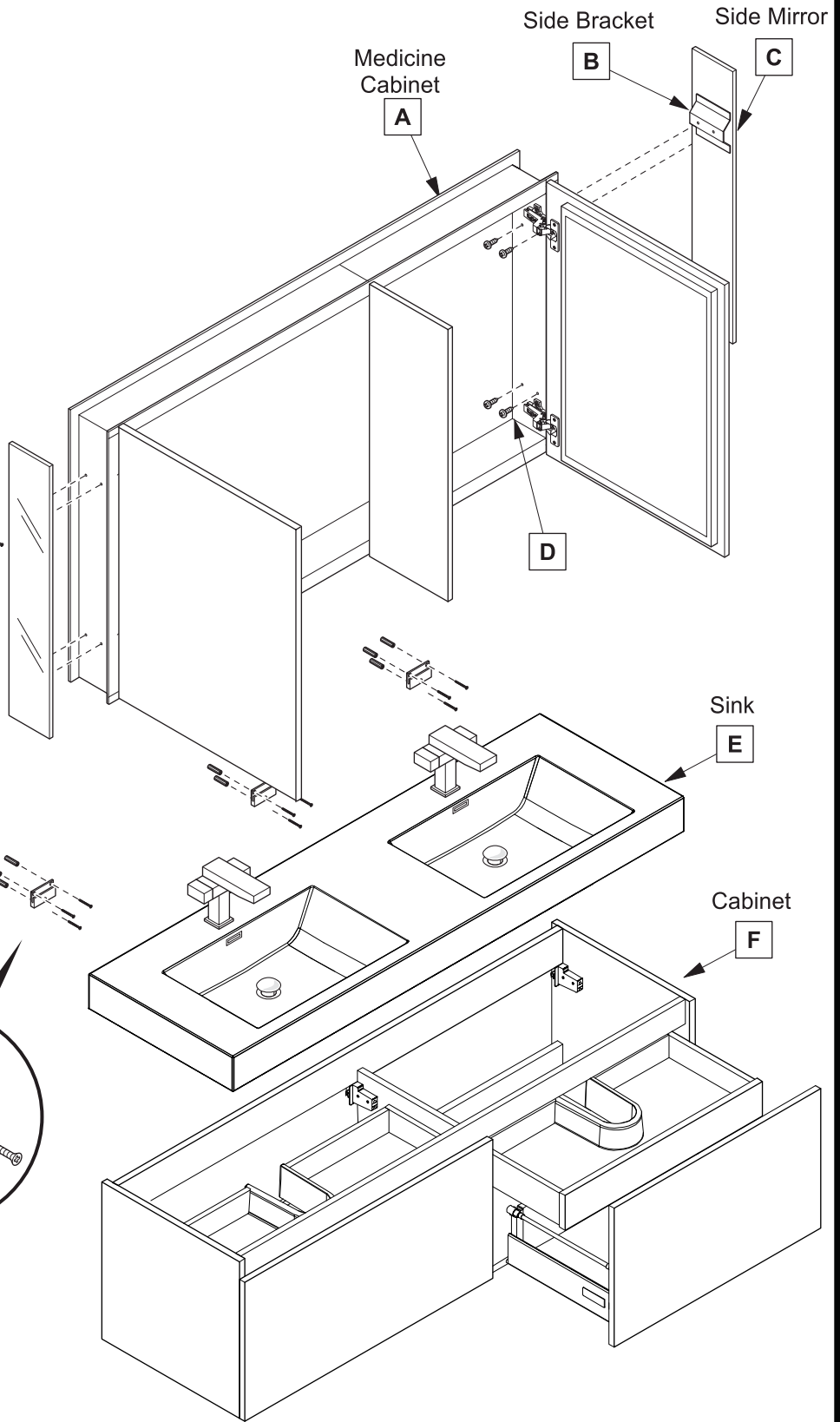
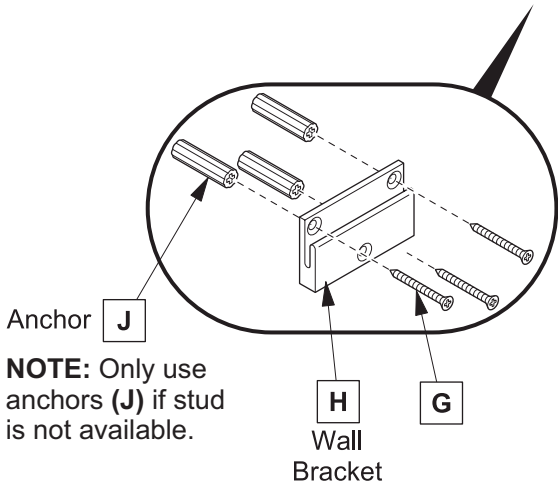
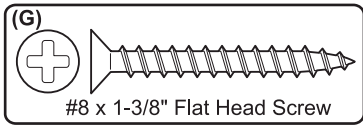
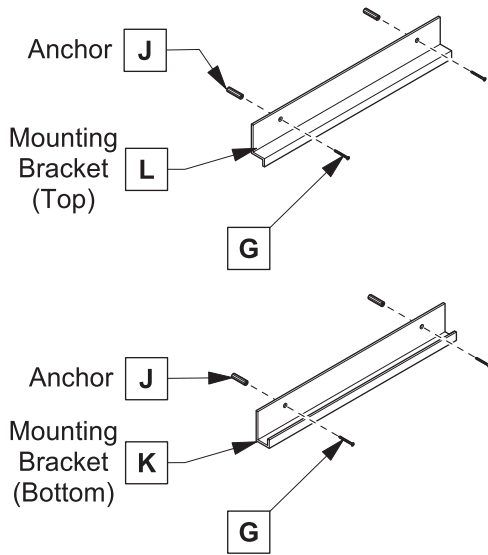


 ALL DIMENSIONS & SPECIFICATIONS ARE APPROXIMATE AND SUBJECT TO CHANGE WITHOUT NOTICE.

**TOOLS FOR ASSEMBLY**



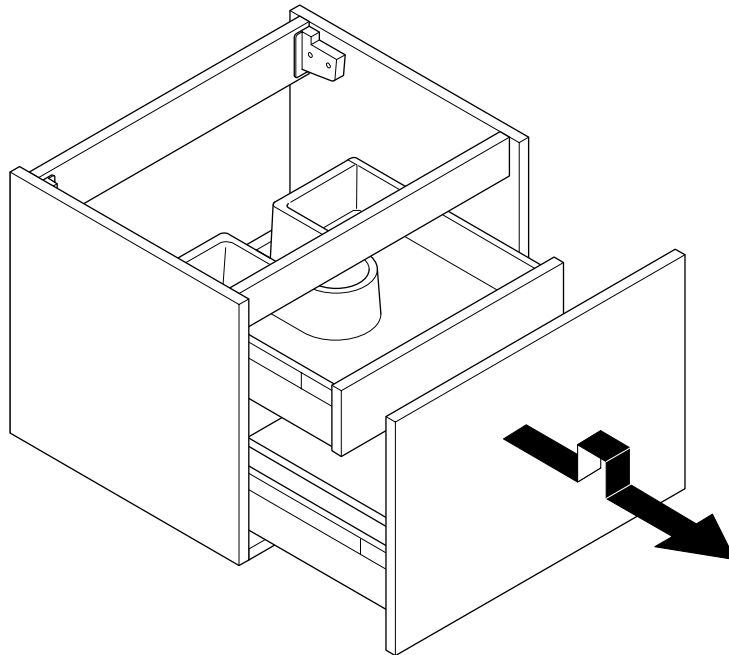
**PARTS**



**1****DRAWER REMOVAL & INSTALLATION**

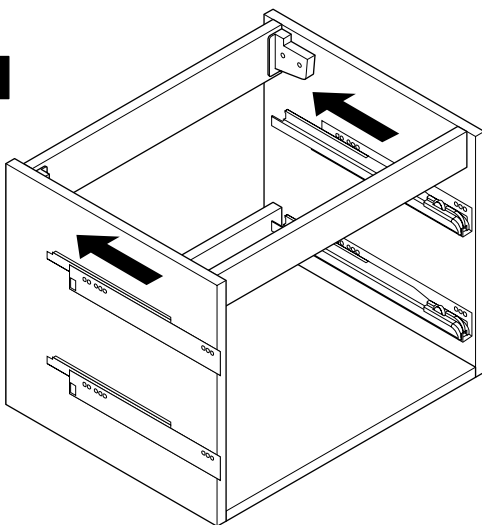
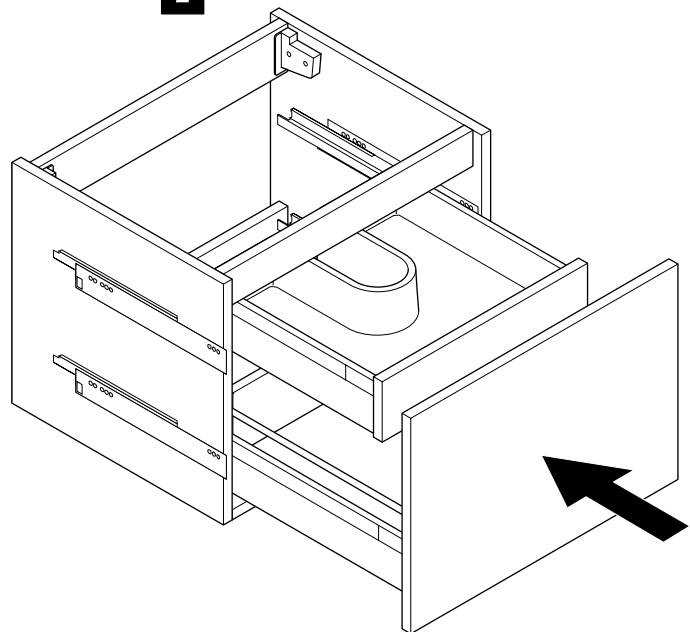
To remove drawer:

1. Pull the drawer open until the guides are fully extended.
2. Tilt drawer up and simultaneously pull the drawer out.

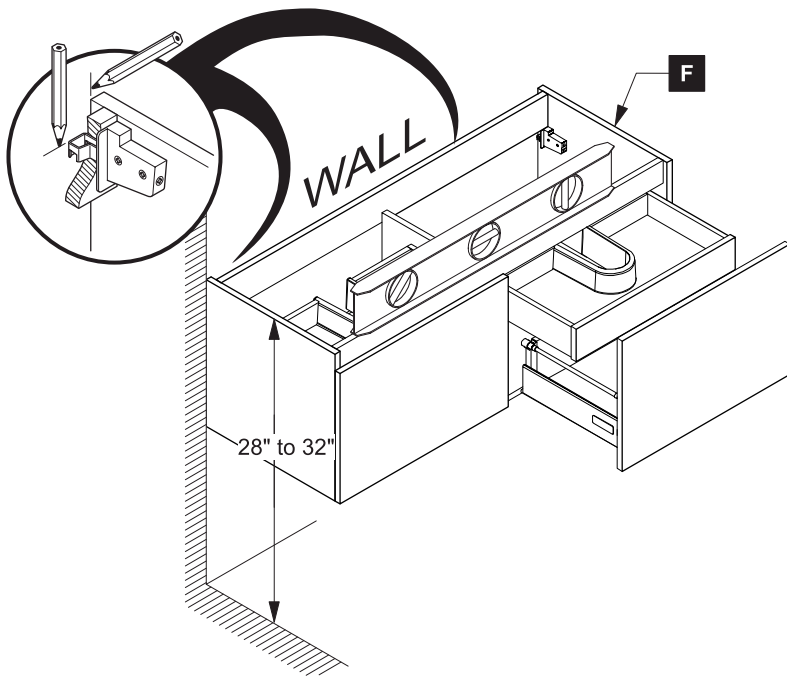
**2**

To instal drawer:

1. Line up drawer bottom with the glides on the right and left side.
2. Place the drawer on the glides and gently push into closed position.

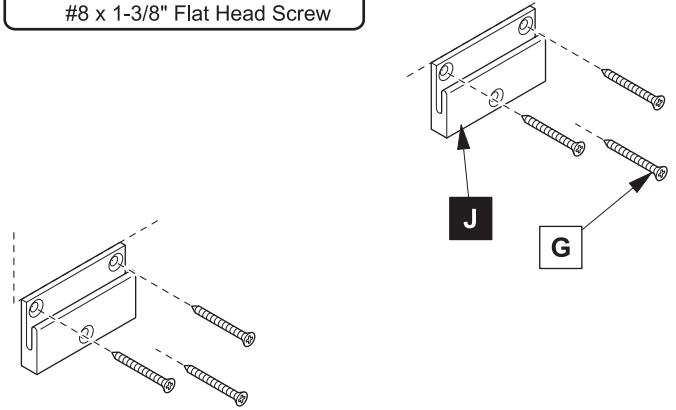
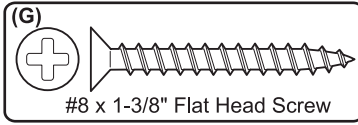
**1****2**

# 1 Locate cabinet (F) & mark location on the wall

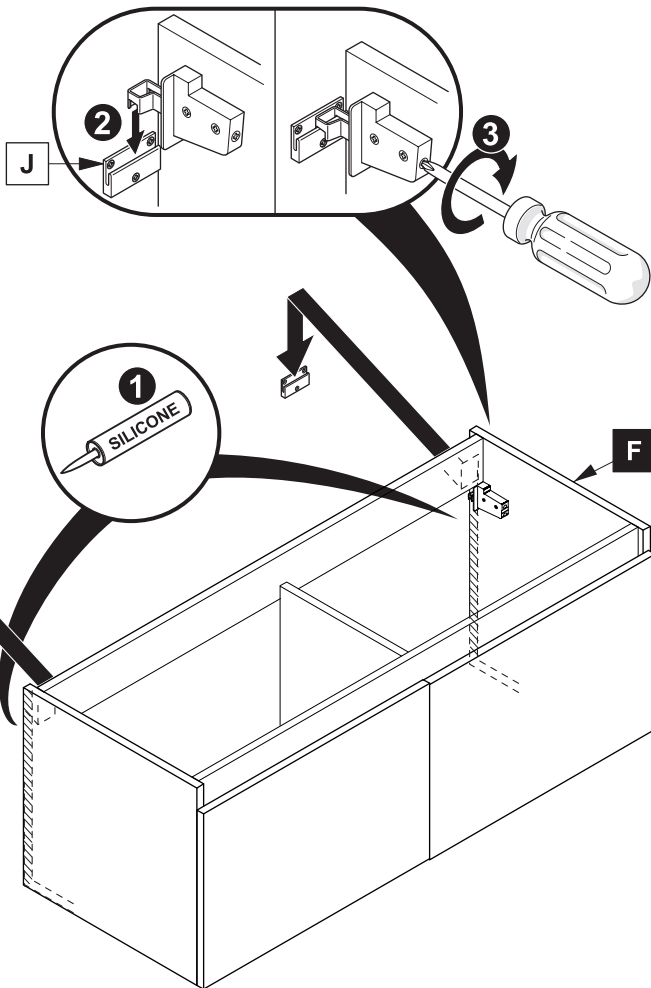


# 2 Install wall brackets (J)

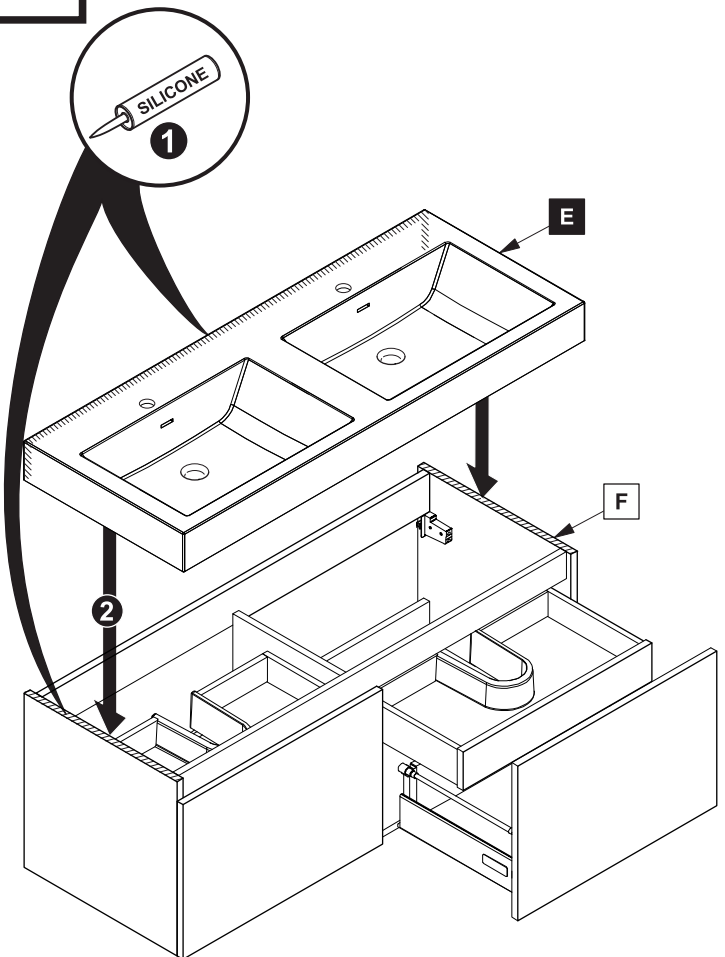
**IMPORTANT:** Consult an expert for the proper screws / bolts to use when attaching to various wall constructions. Screws provided *do not* attach to all wall construction types.



# 3



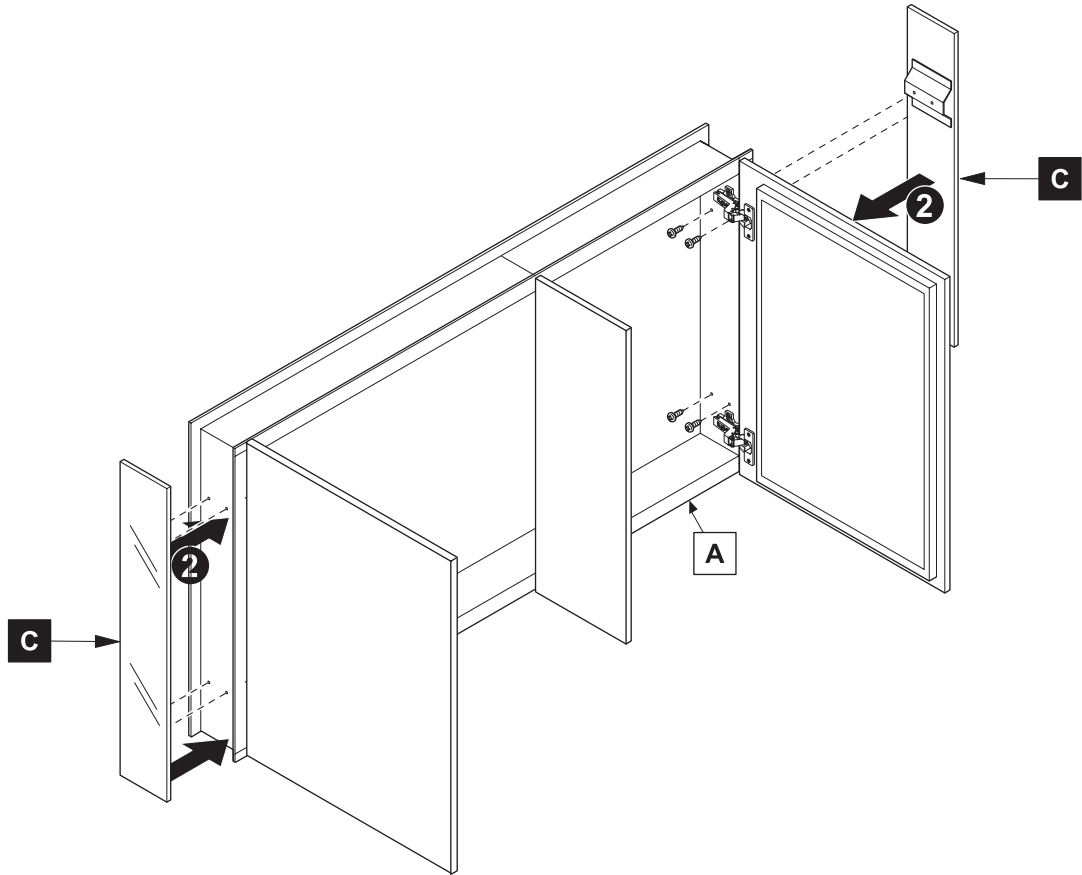
# 4 Apply silicone and install sink (E)



# MEDICINE CABINET INSTALLATION

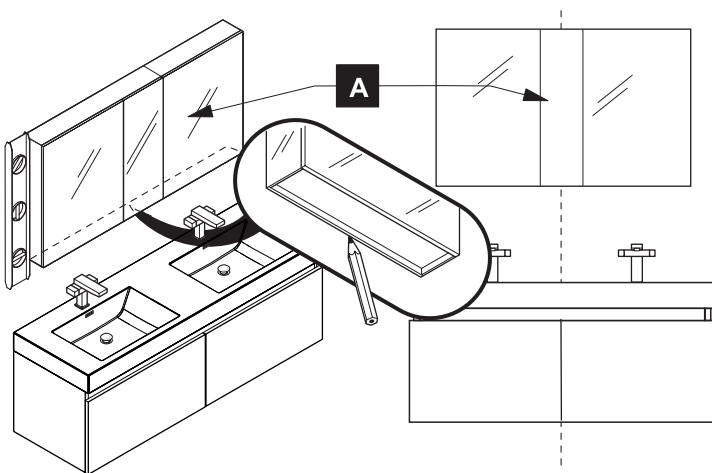
1

Install side mirrors (C)



2

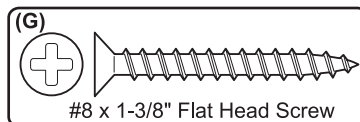
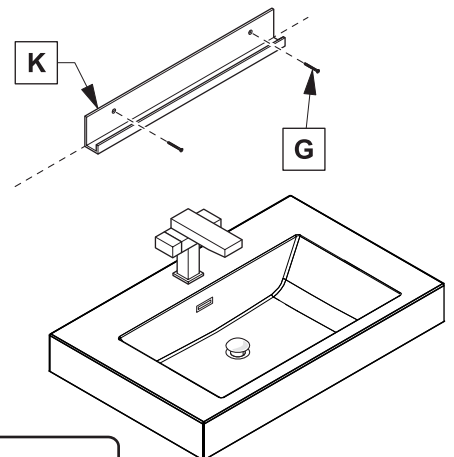
Mark cabinet (A) location



3

Install bottom bracket (K)

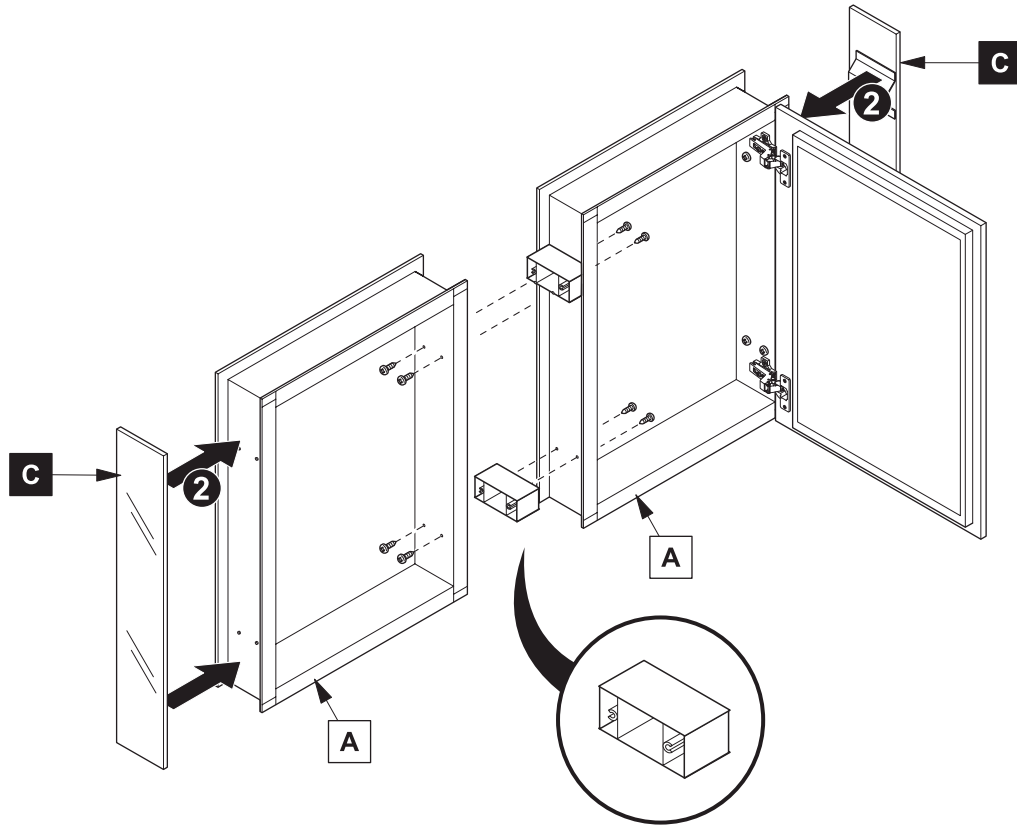
**IMPORTANT:** Consult an expert for the proper screws/bolts to use when attaching to various wall constructions. Screws provided do not attach to all wall construction types.



# MEDICINE CABINET INSTALLATION

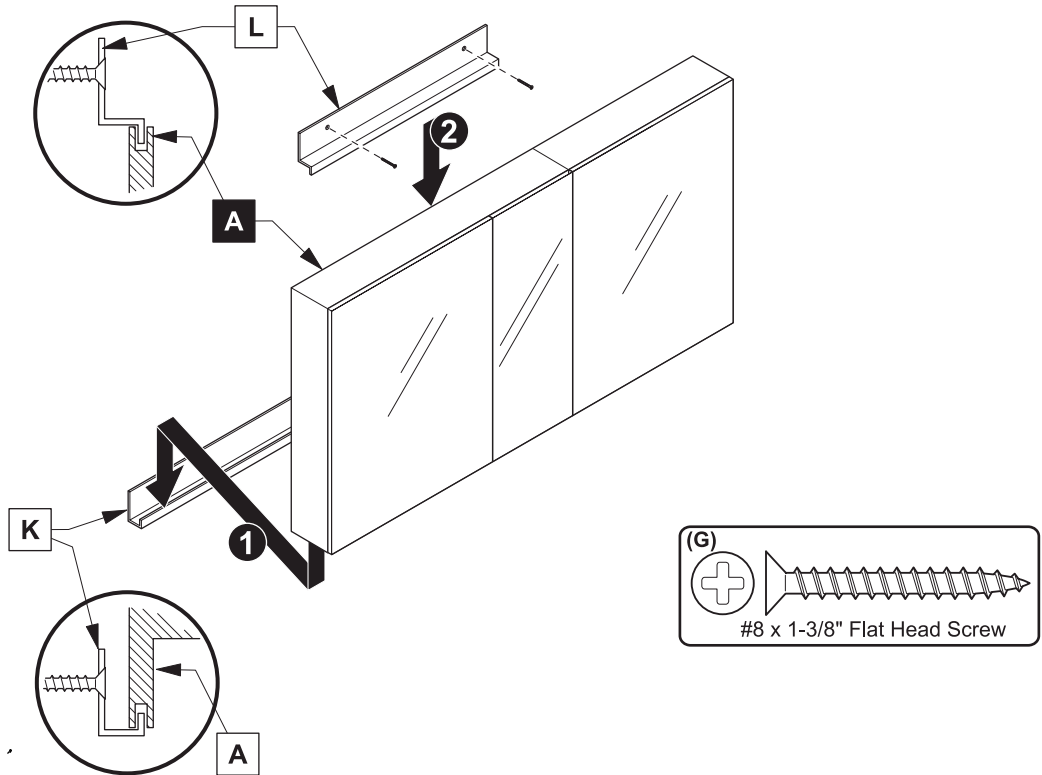
4

Joining of medicine cabinets.



5

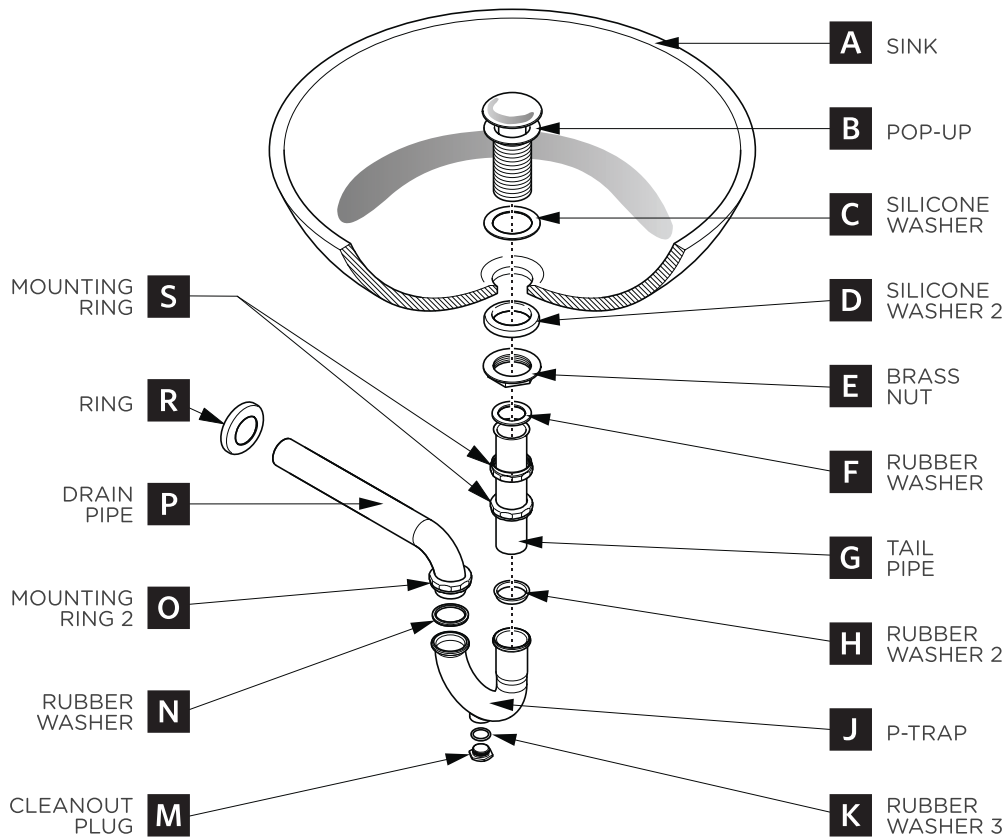
Install cabinet (A) and top bracket (L)



# P-TRAP & POP-UP

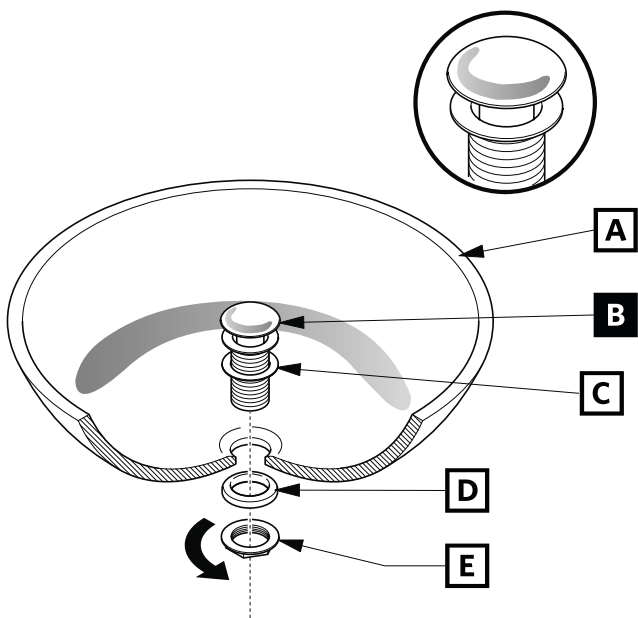
## INSTALLATION INSTRUCTIONS

Your item may appear slightly different from the illustration.



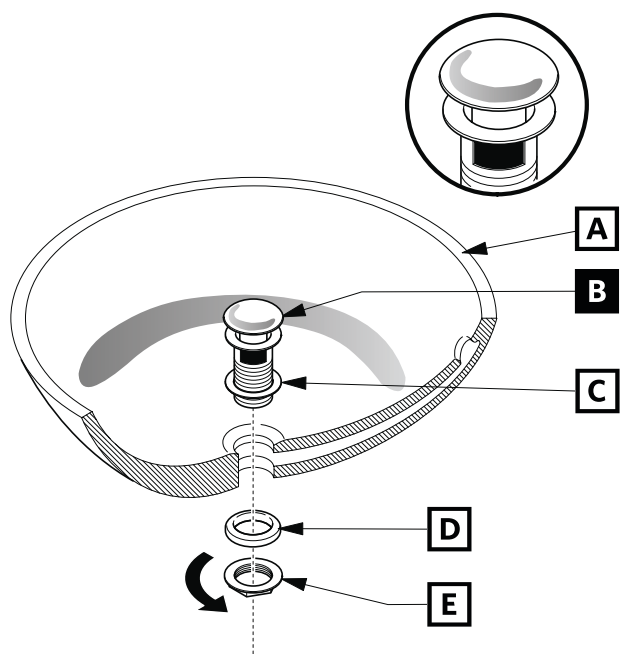
### POP-UP INSTALLATION

#### FOR SINKS WITHOUT OVERFLOW



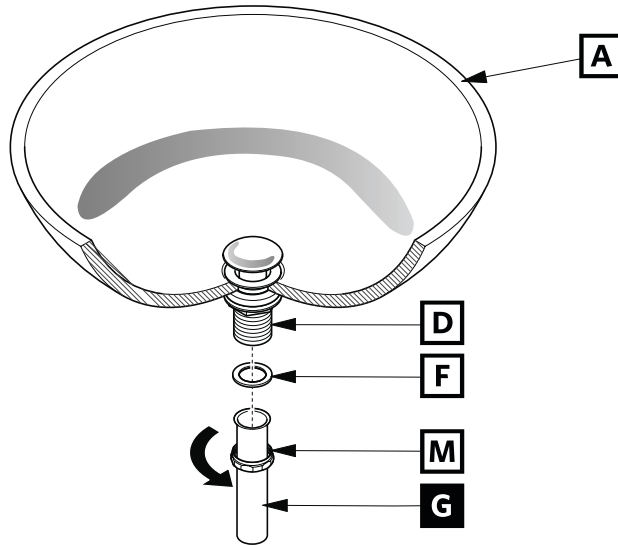
OR

#### FOR SINKS WITH OVERFLOW



# P-TRAP INSTALLATION

**1.** Install tail pipe (G)



**2.** Install P-trap (J)

