

FEATURED MODEL

441529 Single ADA, 5-1/2" bowl depth

FEATURES

- ADA Compliant for use with 33" minimum height countertop installations
- 18 gauge, 304 series stainless steel
- Premium 18/10 chrome/nickel content
- Refined Brush Finish (RBF)
- Rear drain placement
- Sound deadening insulation and pads
- ADA specifications regarding the design of accessible area underneath the sink must be followed. Please refer to ADA guidelines to ensure compliances when deciding on cabinet, countertop, and sink combinations.

CODE/STANDARDS COMPLIANCE

ASME 112.19.3-00
IAPMO/UPC listed

For ADA guideline compliance, cabinet height must be a minimum of 32-1/2"

WARRANTY

Blanco America's Stainless Steel sinks feature a LIMITED LIFETIME WARRANTY to be free of all manufacturing defects under normal use. See our complete warranty for details.

While Blanco America endeavors to provide accurate information, all dimensions are nominal, cannot be guaranteed, and are subject to change or cancellation. Blanco America assumes no responsibility for use of superseded or voided specifications.

JOB INFORMATION

Job Name: _____

Contact: _____

Date Specified: _____

Specifier: _____

Contractor: _____

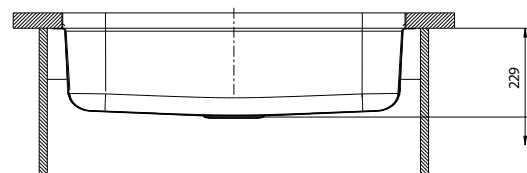
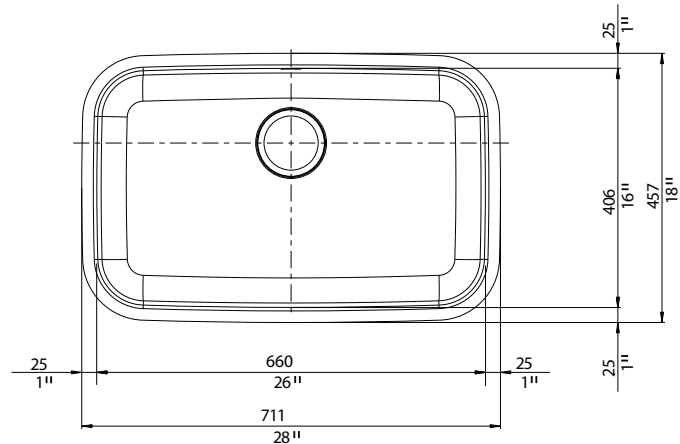


NOMINAL DIMENSIONS

Model 441529 shown

OVERALL	BOWL DEPTH	DRAIN
28" x 18"	5-1/2"	3-1/2"

DXF cutout templates available on our website.



BLANCO AMERICA

800.451.5782

www.blancoamerica.com

© 2013 BLANCO AMERICA

8/13

SPEC-003