

FEATURED MODEL

519546 R15 radius small, 9" bowl depth

FEATURES

- Required outside cabinet: 24"
- 18 gauge, 304 series stainless steel
- Premium 18/10 chrome/nickel content
- Satin Finish
- Rear drain placement
- Sound deadening pads

OPTIONAL ACCESSORIES

Stainless Steel Sink Grid:	516271
Workstation:	441741
Ash Compound Cutting Board:	231609
Magnetic Sink Caddy:	230694



NOMINAL DIMENSIONS

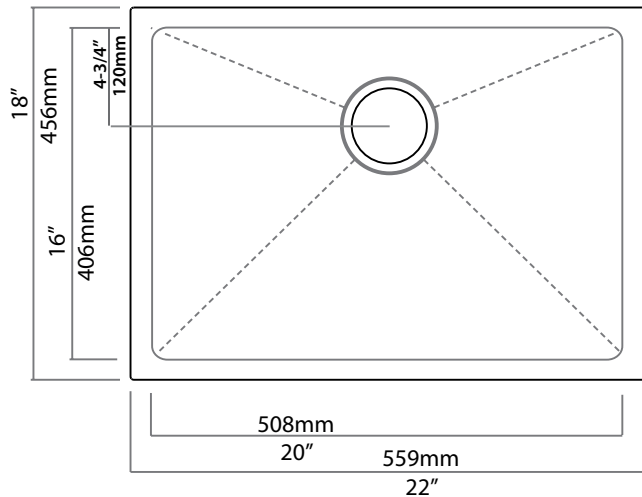
Model 519546 shown

OVERALL	CUT OUT SIZE	BOWL DEPTH	DRAIN
22" x 18"	Template provided with approximate 1/8" reveal	9"	3-1/2"

DXF cutout templates available on our website.

CODE/STANDARDS COMPLIANCE

ASME 112.19.3-00
IAPMO/UPC listed



WARRANTY

Blanco America's Stainless Steel sinks feature a LIMITED LIFETIME WARRANTY to be free of all manufacturing defects under normal use. See our complete warranty for details.

While Blanco America endeavors to provide accurate information, all dimensions are nominal, cannot be guaranteed, and are subject to change or cancellation. Blanco America assumes no responsibility for use of superseded or voided specifications.

JOB INFORMATION

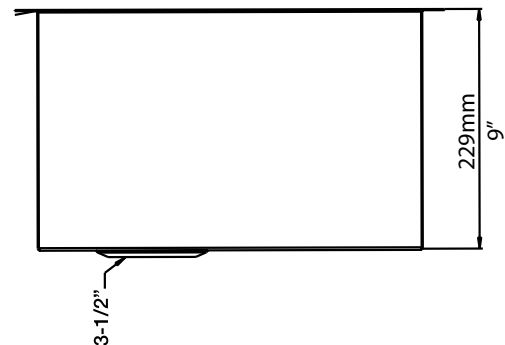
Job Name: _____

Contact: _____

Date Specified: _____

Specifier: _____

Contractor: _____



BLANCO AMERICA

800.451.5782

www.blancoamerica.com

© 2013 BLANCO AMERICA

12/13

SPEC-003