

FEATURED MODEL

516224 Medium, 10" bowl depth

FEATURES

- Required outside cabinet: 21"
- 18 gauge, 304 series stainless steel
- 18/10 chrome/nickel content
- Handcrafted from a single panel of stainless steel
- 10mm radius corners
- Elegant and functional drain grooves
- Satin Polished Finish
- Sound deadening pads
- Rear drain placement

OPTIONAL ACCESSORIES

- Stainless Steel Sink Grid: 223190
- Glass Cutting Board: 224390
- Colanders: 224387
- Walnut Compound Cutting Board: 232002

CODE/STANDARDS COMPLIANCE

ASME 112.19.3-00
 IAPMO/UPC listed

WARRANTY

Blanco America's STEELART™ sinks feature a LIMITED LIFETIME WARRANTY to be free of all manufacturing defects under normal use. See our complete warranty for details.

While Blanco America endeavors to provide accurate information, all dimensions are nominal, cannot be guaranteed, and are subject to change or cancellation. Blanco America assumes no responsibility for use of superseded or voided specifications.

JOB INFORMATION

Job Name: _____
 Contact: _____
 Date Specified: _____
 Specifier: _____
 Contractor: _____

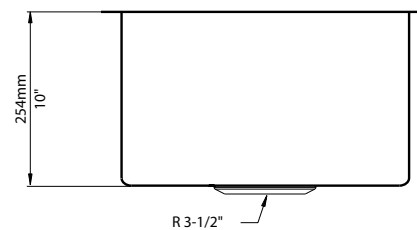
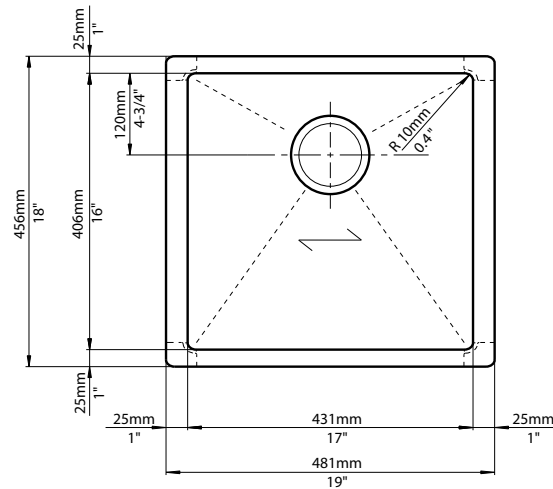


NOMINAL DIMENSIONS

Model 516224 shown

OVERALL	CUT OUT SIZE	BOWL DEPTH	DRAIN
19" x 18"	Template provided with approximate 1/8" reveal	10"	3-1/2"

DXF cutout templates available on our website.



BLANCO AMERICA

800.451.5782
 www.blancoamerica.com

© 2013 BLANCO AMERICA

7/13

SPEC-003