

FEATURED MODEL

516213 1-1/2 Bowl, 10" & 8" bowl depths

FEATURES

- Required outside cabinet: 36"
- 18 gauge, 304 series stainless steel
- 18/10 chrome/nickel content
- Stylish drain grooves for improved functionality
- Satin Polished Finish
- Sound deadening pads
- Rear drain placement

OPTIONAL ACCESSORIES

Stainless Steel Sink Grid Large:	224405
Stainless Steel Sink Grid Small:	224406
Glass Cutting Board:	224390
Colander:	224387
Walnut Compound Cutting Board:	232002

CODE/STANDARDS COMPLIANCE

ASME 112.19.3-00
 IAPMO/UPC listed

WARRANTY

Blanco America's STEELART™ sinks feature a LIMITED LIFETIME WARRANTY to be free of all manufacturing defects under normal use. See our complete warranty for details.

While Blanco America endeavors to provide accurate information, all dimensions are nominal, cannot be guaranteed, and are subject to change or cancellation. Blanco America assumes no responsibility for use of superseded or voided specifications.

JOB INFORMATION

Job Name: _____

Contact: _____

Date Specified: _____

Specifier: _____

Contractor: _____

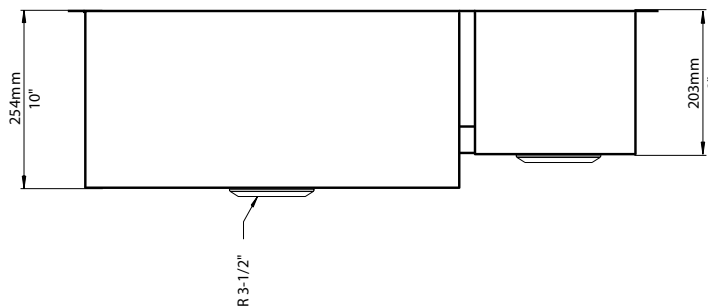
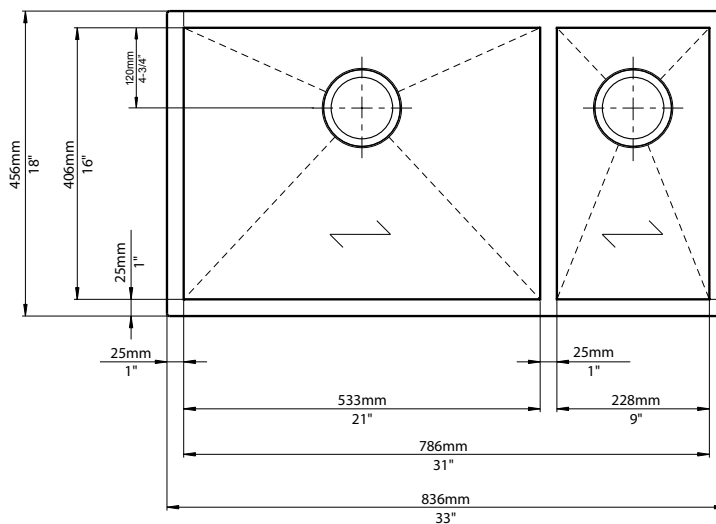


NOMINAL DIMENSIONS

Model 516213 shown

OVERALL	CUT OUT SIZE	BOWL DEPTHS		DRAIN
		LEFT	RIGHT	
33" x 18"	Template provided with approximate 1/8" reveal	10"	8"	3-1/2"

DXF cutout templates available on our website.



BLANCO AMERICA

800.451.5782
 www.blancoamerica.com

© 2013 BLANCO AMERICA

7/13

SPEC-003