

FEATURED MODEL

516209 Large, 10" bowl depth

FEATURES

- Required outside cabinet: 21"
- 18 gauge, 304 series stainless steel
- 18/10 chrome/nickel content
- Stylish drain grooves for improved functionality
- Satin Polished Finish
- Sound deadening pads
- Rear drain placement

OPTIONAL ACCESSORIES

| | |
|--------------------------------|--------|
| Stainless Steel Sink Grid: | 223190 |
| Glass Cutting Board: | 224390 |
| Colanders: | 224387 |
| Walnut Compound Cutting Board: | 232002 |

CODE/STANDARDS COMPLIANCE

ASME 112.19.3-00
IAPMO/UPC listed

WARRANTY

Blanco America's STEELART™ sinks feature a LIMITED LIFETIME WARRANTY to be free of all manufacturing defects under normal use. See our complete warranty for details.

While Blanco America endeavors to provide accurate information, all dimensions are nominal, cannot be guaranteed, and are subject to change or cancellation. Blanco America assumes no responsibility for use of superseded or voided specifications.

JOB INFORMATION

Job Name: _____

Contact: _____

Date Specified: _____

Specifier: _____

Contractor: _____

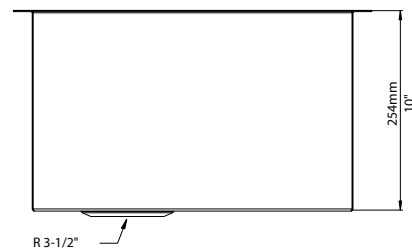
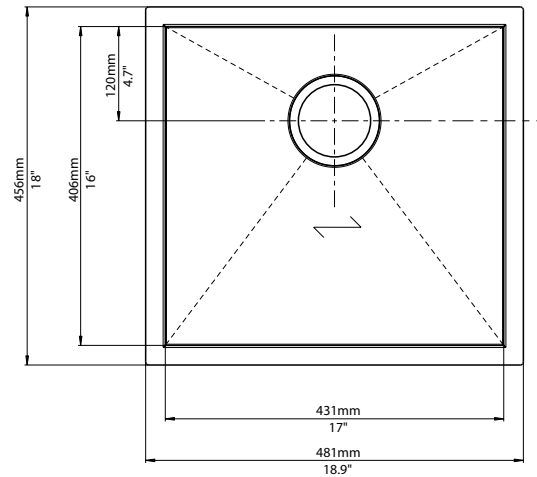


NOMINAL DIMENSIONS

Model 516209 shown

| OVERALL | CUT OUT SIZE | BOWL DEPTH | DRAIN |
|-----------|------------------------------------------------|------------|--------|
| 19" x 18" | Template provided with approximate 1/8" reveal | 10" | 3-1/2" |

DXF cutout templates available on our website.



BLANCO AMERICA

800.451.5782

www.blancoamerica.com

© 2013 BLANCO AMERICA

7/13

SPEC-003