

## FEATURED MODEL

515821 1-3/4 Bowl, 10" bowl depths

## FEATURES

- Required outside cabinet: 36"
- 18 gauge, 304 series stainless steel
- 18/10 chrome/nickel content
- Handcrafted from a single panel of stainless steel
- Zero radius corners
- Elegant and functional drain grooves
- Satin Polished Finish
- Sound deadening pads
- Rear drain placement
- 16" design allows easy install in standard 25" countertops

## OPTIONAL ACCESSORIES

Stainless Steel Sink Grid Large:	223190
Stainless Steel Sink Grid Small:	223189
Glass Cutting Board:	224390
Colander:	224387
Walnut Compound Cutting Board:	232002

## CODE/STANDARDS COMPLIANCE

ASME 112.19.3-00  
 IAPMO/UPC listed

## WARRANTY

Blanco America's STEELART™ sinks feature a LIMITED LIFETIME WARRANTY to be free of all manufacturing defects under normal use. See our complete warranty for details.

While Blanco America endeavors to provide accurate information, all dimensions are nominal, cannot be guaranteed, and are subject to change or cancellation. Blanco America assumes no responsibility for use of superseded or voided specifications.

## JOB INFORMATION

Job Name: \_\_\_\_\_

Contact: \_\_\_\_\_

Date Specified: \_\_\_\_\_

Specifier: \_\_\_\_\_

Contractor: \_\_\_\_\_

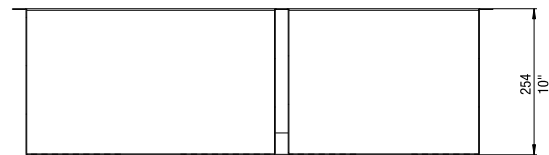
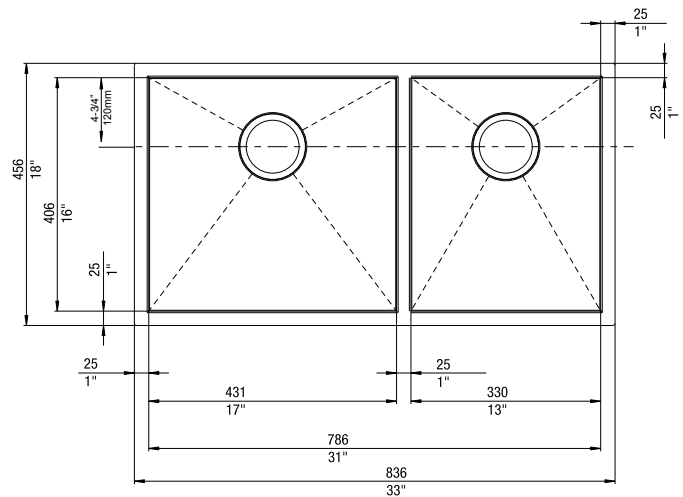


## NOMINAL DIMENSIONS

Model 515821 shown

OVERALL	CUT OUT SIZE	BOWL DEPTHS	DRAIN
33" x 18"	Template provided with approximate 1/8" reveal	10"	3-1/2"

DXF cutout templates available on our website.



## BLANCO AMERICA

800.451.5782

www.blancoamerica.com

© 2013 BLANCO AMERICA

7/13

SPEC-003