

## Metris S

### S Tub Spout, 9"

Finishes : **chrome**      Part no. : **14421001**



#### Description

##### Features

- Solid brass
- 1/2" female and 3/4" male adaptor included

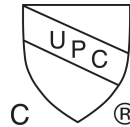
#### Item details

List Price \$ 200.00

#### Technology



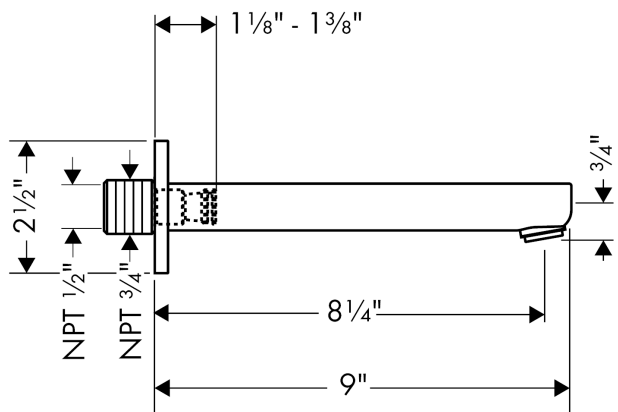
#### Compliance



#### Product image



#### Scale drawing



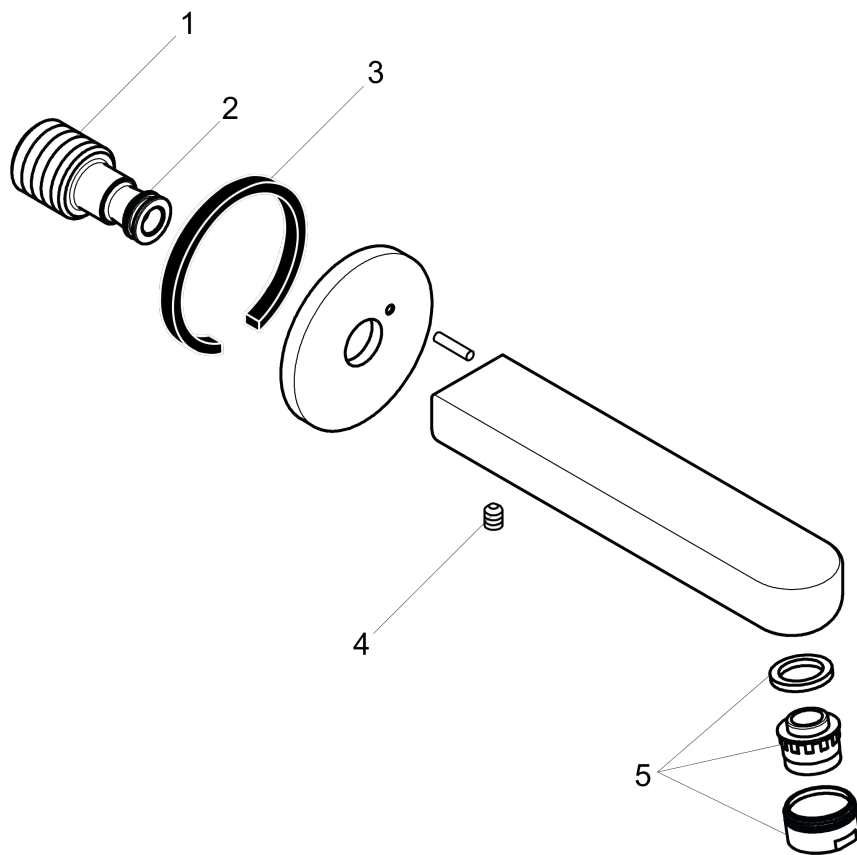
**Metris S**  
**S Tub Spout, 9"**  
Finishes : **chrome**

Part no. : **14421001**



## Exploded drawing

Year of production: >12/07



**Metris S**

**S Tub Spout, 9"**

Finishes : **chrome**    Part no. : **14421001**



**Spare parts list**

Year of production: >12/07

| Pos. | Description              | Part no. | Price | PU |
|------|--------------------------|----------|-------|----|
| 1    | connecting thread        | 95658001 | -     | 1  |
| 2    | O-ring 13x2              | 98128000 | -     | 1  |
| 3    | seal                     | 97530000 | -     | 1  |
| 4    | hollow set screw M6x8    | 97810000 | -     | 1  |
| 5    | aerator M24x1 (25 l/min) | 13914000 | -     | 1  |

**Metris S**  
**S Tub Spout, 9"**

Finishes : **brushed nickel** Part no. : **14421821**



**Description**

**Features**

- Solid brass
- 1/2" female and 3/4" male adaptor included

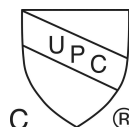
**Item details**

List Price \$ 280.00

**Technology**



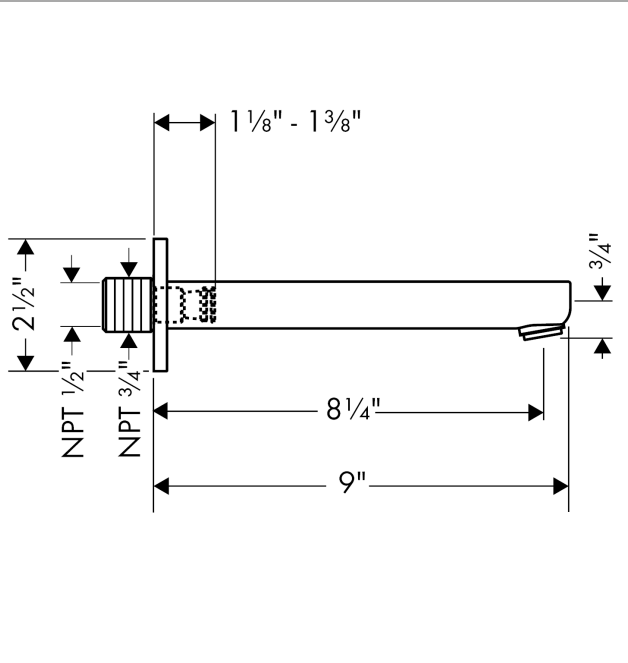
**Compliance**



**Product image**



**Scale drawing**



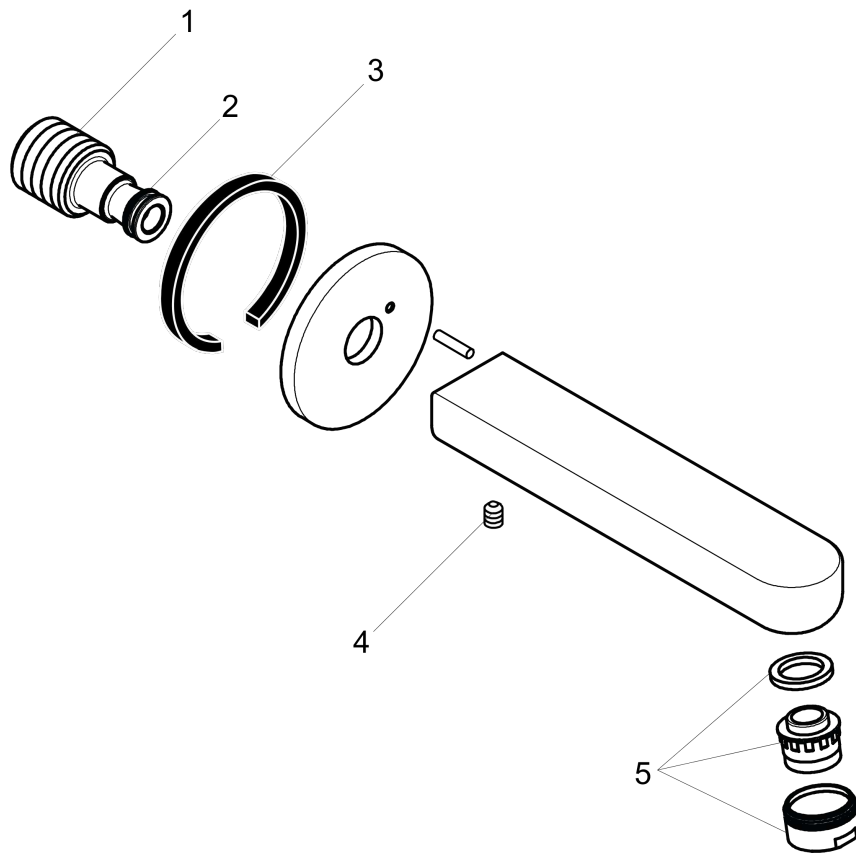
**Metris S**  
**S Tub Spout, 9"**

Finishes : **brushed nickel**    Part no. : **14421821**



**Exploded drawing**

Year of production: >04/10



**Metris S**

**S Tub Spout, 9"**

Finishes : **brushed nickel**    Part no. : **14421821**



**Spare parts list**

Year of production: >04/10

| Pos. | Description              | Part no. | Price | PU |
|------|--------------------------|----------|-------|----|
| 1    | connecting thread        | 95658001 | -     | 1  |
| 2    | O-ring 13x2              | 98128000 | -     | 1  |
| 3    | seal                     | 97530000 | -     | 1  |
| 4    | hollow set screw M6x8    | 97810000 | -     | 1  |
| 5    | aerator M24x1 (25 l/min) | 13914820 | -     | 1  |