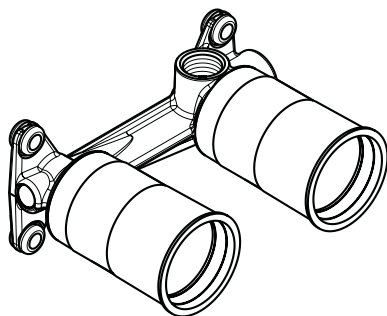


Installation Instructions / Warranty



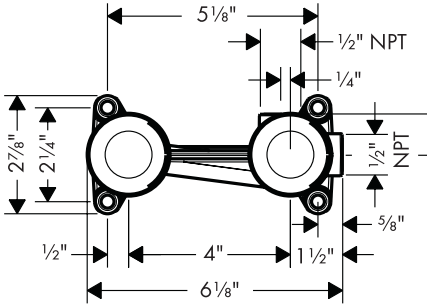
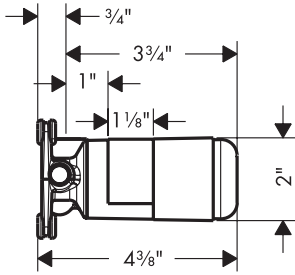
13622181

hansgrohe

Technical Information

Recommended water pressure	15 - 75 psi
Max. water pressure	145 psi
Recommended hot water temp.	120° - 140° F*
Max. hot water temp	176° F*

*Please know and follow all applicable local plumbing codes when setting the temperature on the water heater.

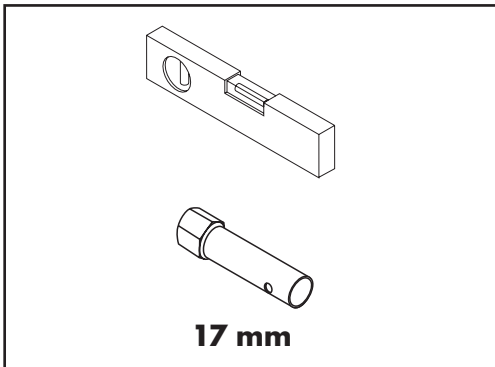


13622181

Installation Considerations

- For best results, Hansgrohe recommends that this unit be installed by a licensed, professional plumber.
- Know and follow all applicable local plumbing codes when installing this faucet. Pay special attention to the required air gap between the end of the spout and the top of the lavatory.
- Please read over these instructions thoroughly before beginning installation. Make sure that you have all tools and supplies needed to complete the installation.
- Keep this booklet and the receipt (or other proof of date and place of purchase) for this product in a safe place. The receipt is required should it be necessary to request warranty parts.

Tools Required / Outils Utiles / Herramientas Útiles



Français

Données techniques

Pression d'eau recommandée	15 - 75 psi
Pression d'eau maximum	145 psi
Température recommandée d'eau chaude	120° - 140° F*
Température maximum d'eau chaude	176° F*

* Vous devez connaître et respecter tous les codes de plomberie locaux applicables pour le réglage de la température du chauffe-eau.

À prendre en considération pour l'installation

- Pour de meilleurs résultats, Hansgrohe recommande que ce produit soit installé par un plombier professionnel licencié.
- Vous devez connaître et respecter tous les codes de plomberie locaux applicables en installant ce robinet.
- Veuillez lire attentivement ces instructions avant de procéder à l'installation. Assurez-vous de disposer de tous les outils et du matériel nécessaires pour l'installation.
- Conservez ce livret et le reçu (ou une autre preuve sur laquelle figurent la date et l'endroit de l'achat) pour ce produit dans un endroit sûr. Le reçu est requis si vous commandez des pièces sous garantie.

Español

Datos técnicos

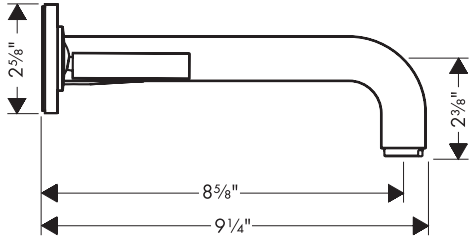
Presión recomendada en servicio	15 - 75 psi
Presión en servicio max.	145 psi
Temperatura recomendada del agua caliente	120° - 140° F*
Temperatura del agua caliente max.	176° F*

* Debe conocer y cumplir todos los códigos locales aplicables para ajustar la temperatura del calentador de agua.

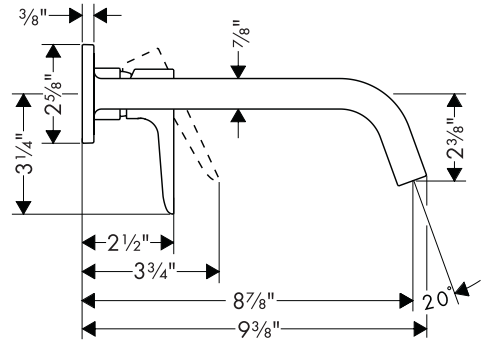
Consideraciones para la instalación

- Para obtener mejores resultados, la instalación debe estar a cargo de un plomero profesional matriculado.
- Antes de comenzar la instalación, lea estas instrucciones detenidamente. Asegúrese de tener las herramientas y los insumos necesarios para completar la instalación.
- Debe conocer y cumplir todos los códigos locales aplicables al instalar este chorro.
- Mantenga este folleto y el recibo (u otro comprobante del lugar y fecha de compra) de este producto en lugar seguro. El recibo se requiere en caso de ser necesario solicitar piezas bajo garantía.

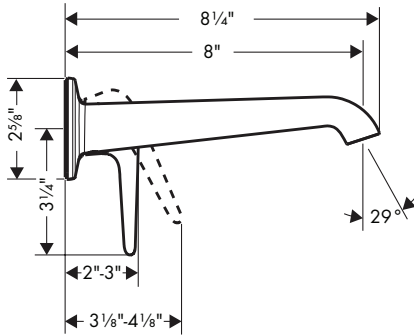
Trim kits (not included) / Robinetterie (ne pas inclus) / Piezas Exteriores (no incluidos)



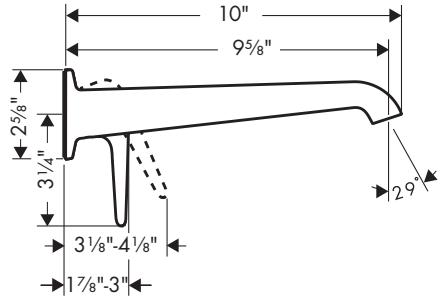
Axor Citterio 39115xx1/39116xx1



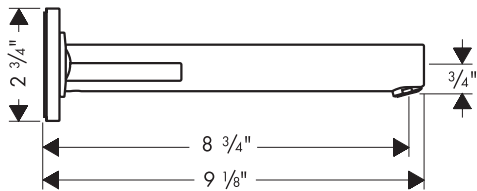
Axor Citterio M 34115xx1/34116xx1



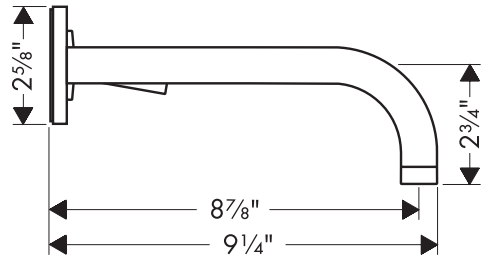
Axor Bouroullec 19125001



Axor Bouroullec 19127001

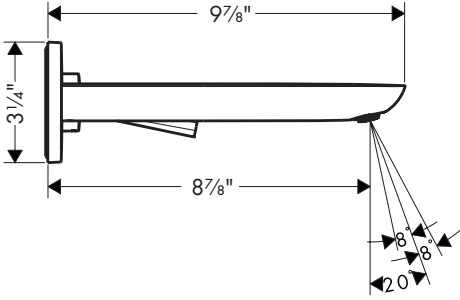


Axor Steel 35115801/35116801

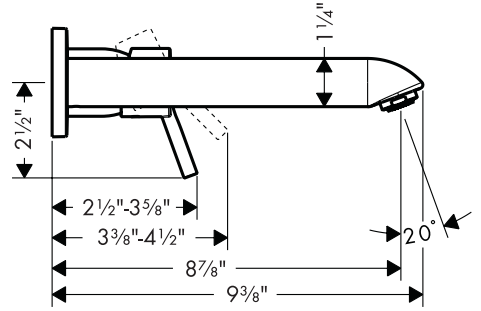


Axor Uno 38118xx1/38117xx1

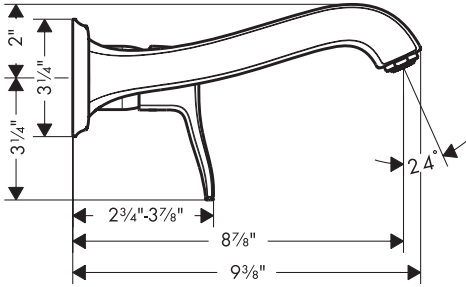
Trim kits (not included) / Robinetterie (ne pas inclus) / Piezas Exteriores (no incluidos)



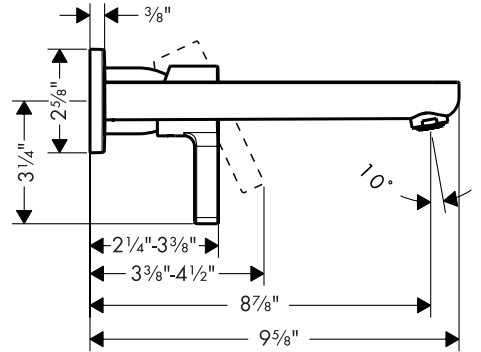
PuraVida 15085xx1



Talis S 31611xx1

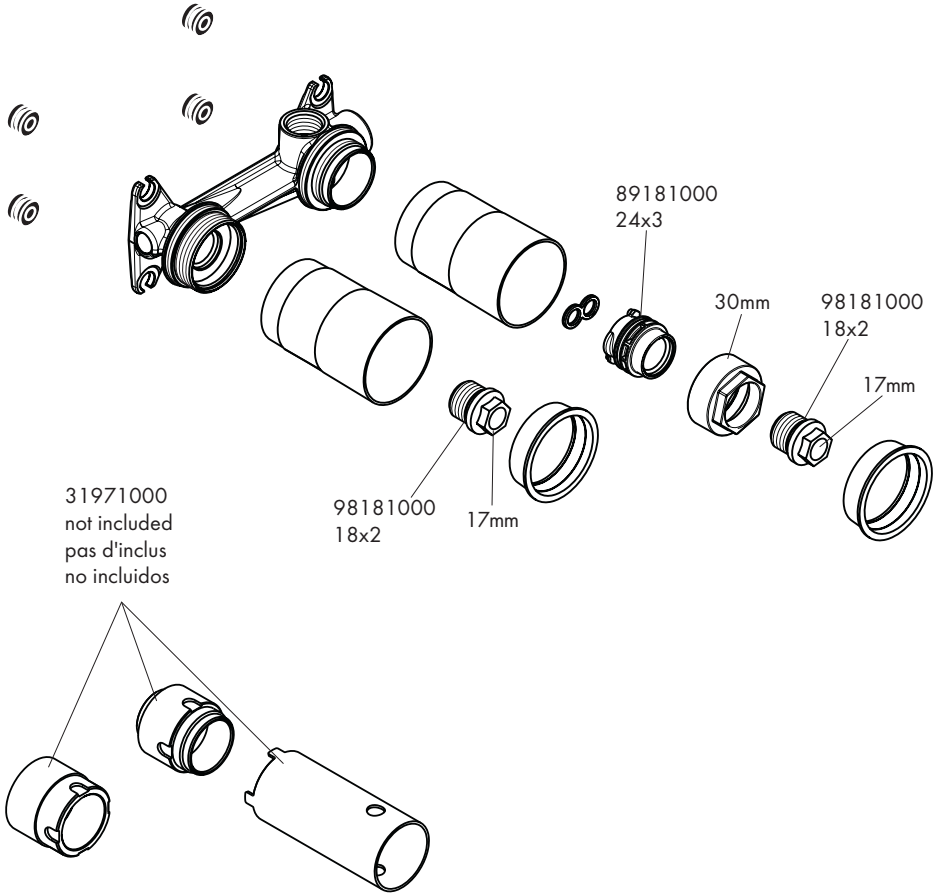


Metris C 31003xx1

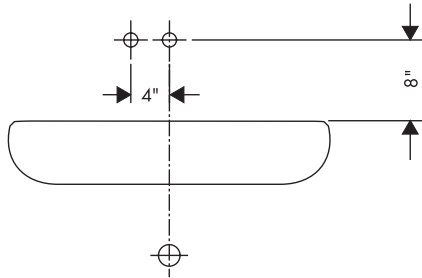
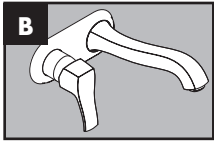
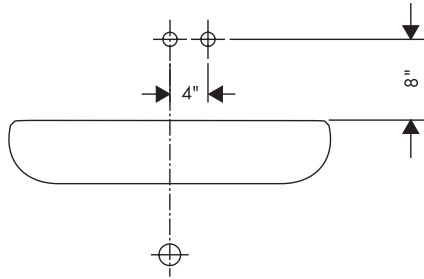
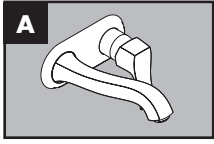


Metris S 31163xx1

Replacement Parts / Pièces détachées / Repuestos




Suggested Installation



Important! / Avis! / Aviso!


Before installation, decide whether the faucet will have the handle on the right (view A) or the left (view B).

 **The orientation of the rough cannot be easily changed after installation.**

Avant de commencer l'installation, décidez si le robinet doit avoir la poignée à droite (vue A) ou à gauche (vue B).

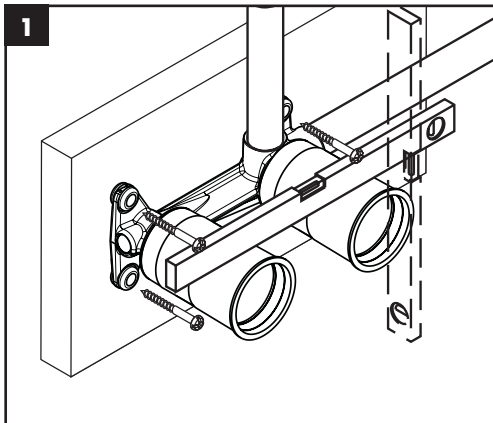
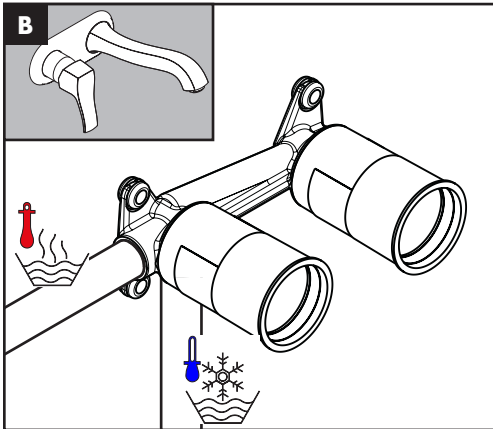
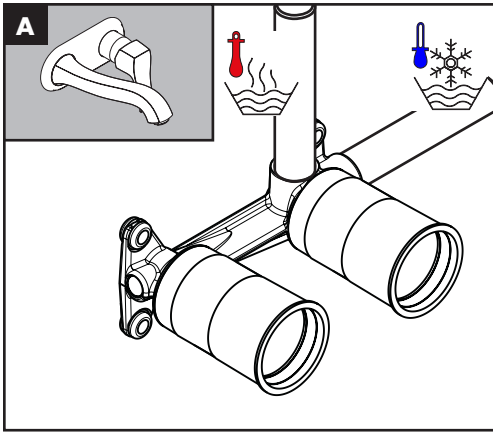
 **L'orientation de la pièce est difficile à modifier après l'installation.**

Antes de la instalación, decida si el grifo tendrá la manija a la derecha (gráfico A) o a la izquierda (gráfico B).

 **La orientación de la pieza interior no se puede cambiar fácilmente luego de la instalación.**

Installation

Install the hot and cold supply lines according to the diagram corresponding to the desired installation.



Install the noise reducers.

Screw the valve to a header board (screws not included).

Firmly secure the supply lines according to accepted plumbing practices.

Make sure that the rough is level.

Installation

Installez les conduites d'alimentation de l'eau chaude et l'eau froide en consultant le schéma correspondant à l'installation souhaitée.

Installez les atténuateurs de bruit.

Vissez la vanne à un panneau (vis non fournies).

Fixez bien les conduites d'alimentation en vous conformant aux pratiques de plomberie appropriées.

Assurez-vous que la pièce est au niveau.

Instalación

Instale las tuberías de suministro de agua caliente y fría de acuerdo al diagrama correspondiente a la instalación deseada.

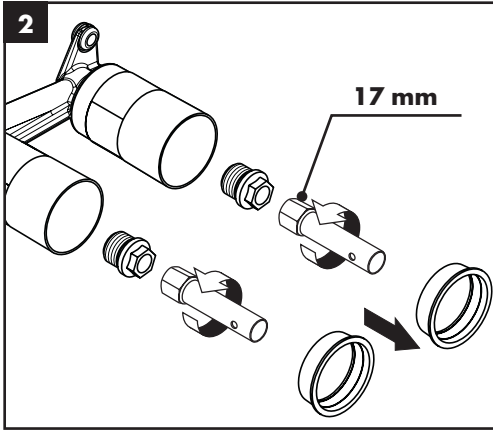
Instale los reductores de ruido.

Atornille la válvula al panel de cabezal (los tornillos no están incluidos).

Ajuste firmemente las tuberías de suministro de acuerdo con las prácticas de plomería aceptadas.

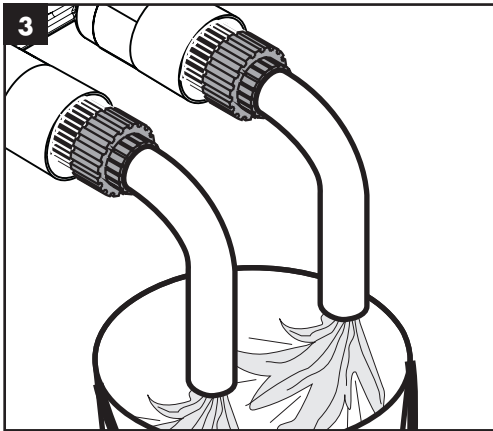
Asegúrese de que la pieza interior quede nivelada.

English



Remove the caps.

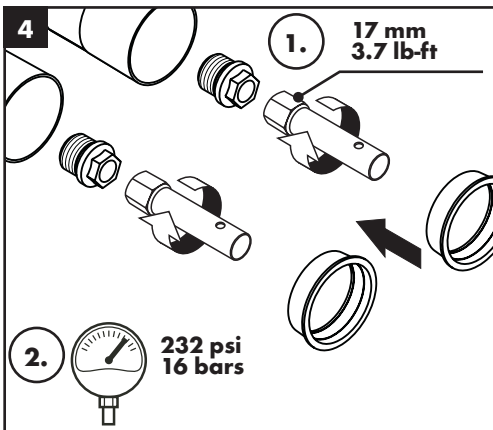
Remove the plugs using a 17 mm socket wrench.



Connect hoses to the handle and spout ports.

Turn the water on at the main.

Flush the hot and cold supplies.



Turn the water off at the main.

(1) Replace the plugs using a 17 mm socket wrench. Tighten to 3.7 lb-ft (5 Nm).

Replace the caps.

(2) Pressure test the unit.

Français

Retirez les capuchons.

Retirez les bouchons à l'aide d'une clé à douille de 17 mm.

Raccordez des tuyaux aux orifices d'écoulement et de poignée.

Ouvrez l'eau à la valve principale.

Rincez les conduites d'alimentation de l'eau chaude et de l'eau froide.

Fermez l'eau à la valve principale.

(1) Remettez les bouchons en place à l'aide d'une clé à douille de 17 mm. Serrez à 3,7 lb-pi (5 Nm).

Remettez les capuchons en place.

(2) Testez la pression du produit.

Español

Retire las tapas.

Retire los tapones con una llave de cubo de 17 mm.

Conecte las mangueras a la manija y a los orificios de los surtidores.

Abra el paso del agua en la entrada del suministro.

Lave los suministros de agua caliente y fría

Cierre el paso del agua en la entrada del suministro.

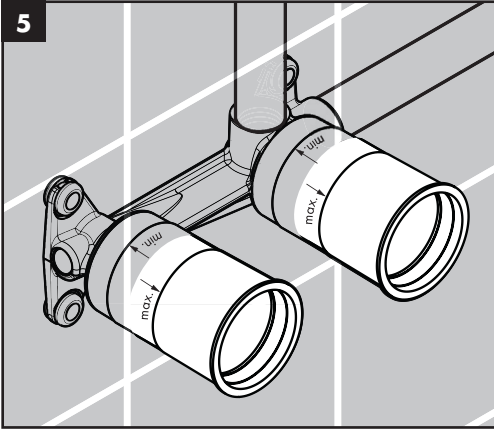
(1) Reemplace los tapones con una llave de cubo de 17 mm. Apriete a 3.7 libras-pies (5 Nm).

Reemplace las tapas.

(2) Realice una prueba de presión de la unidad.

English

5



Install the finished wall.

For correct fit of the trim, the surface of the finished wall must fall between the "min" and "max" markings on the plaster shields.

Français

Installez le mur fini.

Pour que la garniture s'ajuste de façon adéquate, la surface du mur fini doit se situer entre les marques « min » et « max » figurant sur les protecteurs de plâtre.

Español

Instale la pared terminada.

Para que la pieza exterior ajuste correctamente, la superficie de la pared terminada debe quedar entre las marcas de máximo y mínimo del escudo de yeso.

Limited Consumer Warranty

This product has been manufactured and tested to the highest quality standards by Hansgrohe, Inc. ("Hansgrohe"). This warranty is limited to Hansgrohe products that are purchased by a consumer in the United States or Canada after March 1, 1996, and installed in either in the United States or in Canada.

WHO IS COVERED BY THE WARRANTY

This warranty extends to the original purchaser only. This warranty is non-transferable.

WHAT IS COVERED BY THE WARRANTY

The warranty covers only your Hansgrohe manufactured product. Hansgrohe warrants this product against defects in material or workmanship as follows:

Hansgrohe will replace at no charge for parts only or, at its option, replace any product or part of the product that proves defective because of improper workmanship and/or material, under normal installation, use, service and maintenance. If Hansgrohe is unable to provide a replacement and repair is not practical or cannot be made in timely fashion, Hansgrohe may elect to refund the purchase price in exchange for the return of the product.

LENGTH OF WARRANTY

Replacement or repaired parts of products will be covered for the term of this warranty, as stated in the following two sentences. If you are a consumer who purchased the product for use primarily for personal, family or household purposes, this warranty extends for as long as you own the product and the home in which the product is originally installed. If you purchased the product for use primarily for any other purpose, including, without limitation, a commercial purpose, this warranty extends only (i) for 1 year, with respect to Hansgrohe & Commercial products, and (ii) for 5 years, with respect to Axor products.

THIS WARRANTY DOES NOT COVER, AND HANSGROHE WILL NOT PAY FOR:

- A. Conditions, malfunctions or damage not resulting from defects in material or workmanship.
- B. Conditions, malfunctions or damage resulting from (1) normal wear and tear, improper installation, improper maintenance, misuse, abuse, negligence, accident or alteration; (2) the use of abrasive or caustic cleaning agents or "no-rinse" cleaning products, or the use of the product in any manner contrary to the product instructions; or (3) conditions in the home such as excessive water pressure or corrosion.
- C. Labor and other expenses for disconnection, deinstallation, or return of the product for warranty service (including but not limited to proper packaging and shipping costs), or for installation or reinstallation of the product.
- D. Accessories, connected materials and products, or related products not manufactured by Hansgrohe.
- E. Any Hansgrohe or Axor product sold for display purposes.
- F. Rubbed Bronze finish is subject to a 3-year limited warranty. Chrome and all PVD finishes are covered by the limited lifetime warranty.
- G. Hansgrohe Water Filtration System is subject to a 1-year limited warranty. Warranty does not include replacement filters.

TO OBTAIN WARRANTY PARTS OR INFORMATION

Contact your Hansgrohe retailer, or contact Technical Service at:

Hansgrohe, Inc.
1492 Bluegrass Lakes Parkway
Alpharetta, GA 30004
Toll-free 800-334-0455

In requesting warranty service, you will need to provide:

1. The sales receipt or other evidence of the date and place of purchase.
2. A description of the problem.
3. Delivery of the product or the defective part, postage prepaid and carefully packed and insured, to:

Hansgrohe, Inc.
1492 Bluegrass Lakes Parkway
Alpharetta, GA 30004
Toll-free 800-334-0455

When warranty service is completed, any repaired or replacement product or part will be returned to you postage prepaid.

EXCLUSIONS AND LIMITATIONS

REPAIR OR REPLACEMENT (OR, IN LIMITED CIRCUMSTANCES, REFUND OF THE PURCHASE PRICE) AS PROVIDED UNDER THIS WARRANTY IS THE EXCLUSIVE REMEDY OF THE PURCHASER. HANSGROHE NEITHER ASSUMES NOR AUTHORIZES ANY PERSON TO CREATE FOR IT ANY OTHER OBLIGATION OR LIABILITY IN CONNECTION WITH THIS PRODUCT. HANSGROHE SHALL NOT BE LIABLE TO PURCHASER OR ANY OTHER PERSON FOR ANY INCIDENTAL, SPECIAL OR CONSEQUENTIAL DAMAGES, ARISING OUT OF BREACH OF THIS WARRANTY OR ANY IMPLIED WARRANTY (INCLUDING BUT NOT LIMITED TO ANY IMPLIED WARRANTY OF MERCHANTABILITY).

Some States do not allow the exclusion or limitation of incidental or consequential damages, so the above limitation or exclusion may not apply to you. This warranty gives you specific legal rights, and you may also have other rights that vary from state to state.

TO THE EXTENT PERMITTED BY LAW, ANY IMPLIED WARRANTIES OF MERCHANTABILITY AND FITNESS FOR A PARTICULAR PURPOSE, ARE LIMITED TO THE DURATION OF THE EXPRESS WARRANTY.

Some states do not allow limitations on how long an implied warranty may last, so the above limitations may not apply to you. You may be required by law to give us a reasonable opportunity to correct or cure any failure to comply before you can bring any action in court against us under the Magnuson-Moss Warranty Act.

PRODUCT INSTRUCTIONS AND QUESTIONS

Upon purchase or prior to installation, please carefully inspect your Hansgrohe product for any damage or visible defect. Prior to installing, always carefully study the enclosed instructions on the proper installation and the care and maintenance of this product. If you have questions at any time about the use, installation or performance of your Hansgrohe product, or this warranty, please write us or call us toll-free at 800-334-0455.

hansgrohe

Hansgrohe, Inc. • 1490 Bluegrass Lakes Parkway • Alpharetta, GA 30004
Tel. 770-360-9880 • Fax 770-360-9887

www.hansgrohe-usa.com