



Installation and Owner's Manual

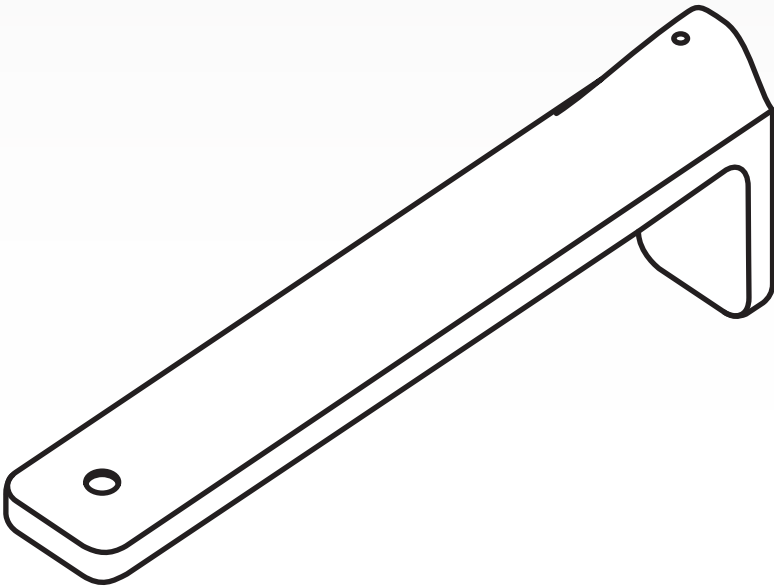
Showerhead TS170A

RENESSE™

English

Español

Français



| Contents | |
|------------------------|---|
| Important Safeguards | 1 |
| Specifications | 2 |
| Before Installation | 2 |
| Set-Up Drawing | 3 |
| Components | 3 |
| Installation Procedure | 4 |
| Set-Up Options | 5 |
| Maintenance | 5 |
| Troubleshooting | 6 |
| Replacement Parts | 6 |
| Warranty | 7 |





● Thank you for your recent purchase of the TOTO® product. Please read the enclosed information to ensure the safe use of your product.

Important Safeguards





(For your safety please follow the instructions below)

Read the “ Important Safeguards” section thoroughly before installing the product.

- Following symbols indicate safe and proper use of the product. Failure to observe them may result in injury or property damage. The symbols and their meanings are as follows.
- The following table demonstrates the use of safety symbols in this manual.

| | | | |
|--|---|---|---|
|  Caution | Failure to observe this symbol may result in injury or property damage |  | Absolutely Do NOT. Do not disassemble |
|  |  Mandatory! | | |

ENGLISH

|  Caution | |
|---|---|
|  Do Not | <p>Do not connect the pipe connector (please refer to Page #7) with showerhead arm before attaching it to the water supply pipes.</p> <p>Failure to observe this caution may result in scratches on the showerhead arm or looseness of setscrew.</p> <p>Do not cause scratches to the O-ring.</p> <p>Damaged O-ring may cause water leakage.</p> |
|  Do not disassemble | <p>Do not disassemble or modify the product in anyway not described in this manual.</p> <p>Careless disassembly or modification may result in the product failure.</p> |
|  Mandatory | <p>Mount the showerhead firmly so that it may not be loose or detached while using.</p> <p>Loose setscrews will make mounting unstable, resulting in injuries.</p> <p>Handle the threaded portion of showerhead with care.</p> <p>You may hurt your fingers.</p> <p>Apply pipe selaing tape to threads.</p> <p>Failure to observe this caution may result in water leakage.</p> |

Specification

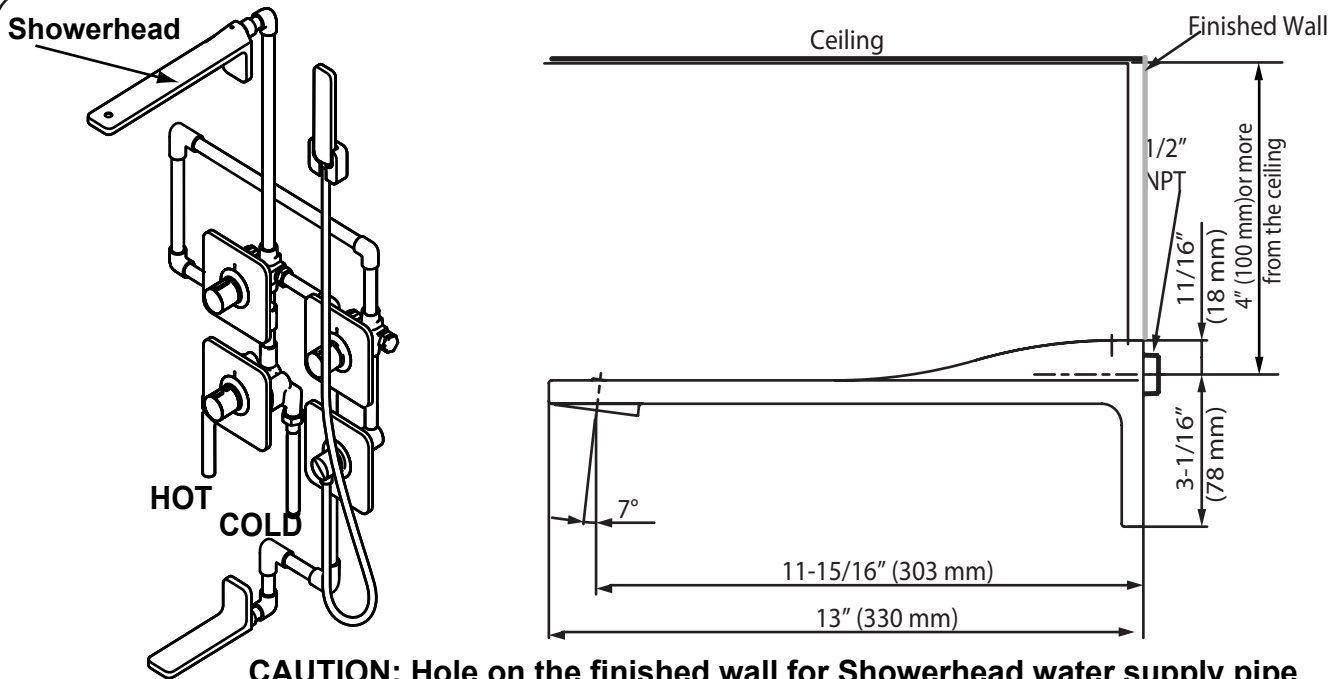
| | | |
|----------------------------|------------------|---|
| Water Supply Pressure | Minimum pressure | 20 psi (0.14MPa) (flowing pressure) |
| | Maximum pressure | 125 psi (0.86MPa) (static) Check local building code |
| Supplied Water Temperature | | Less than 185°F (85°C) |
| Water Quality | | Water that meets National/Primary drinking water regulation |
| Ambient Temperature | | 34 -104°F (2 - 40°C) |
| Water Supply Connection | | 1/2" NPT |
| Humidity | | Maximum 90% RH |
| Flow Rate | | Max. 2.5 gallons per minutes (9.5L/min) |

Depending on the model, some specifications may differ.

Before installation

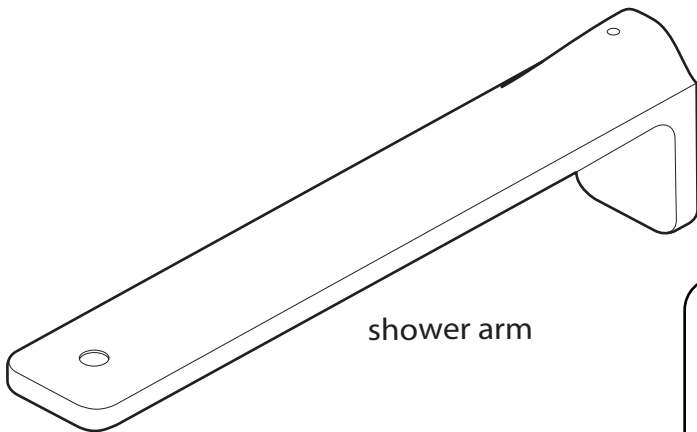
- Observe all local plumbing codes.
 - Make sure water supply is shut off.
 - Read these instructions carefully to ensure proper installation.
 - Check to make sure you have the following parts indicated below.
- If the water supply pressure is higher than 125psi (0.86MPa), you should buy a reducing valve to reduce the pressure to the range of 0.2-0.3MPa.
To use the faucet comfortably, the recommended pressure is about 30-45 psi (0.2-0.3MPa).
 - To prevent being scalded due to malfunction, the cold water supply pressure must be higher than the hot water pressure, or you can make them equal. In addition, if you increase the pressure of the hot water, it still must be lower than that of cold water supply side.
 - To prevent being scalded due to wrong operation, it is recommended the hot water supply temperature is 140°F (60°C).
 - For ease of water flow adjustment and inspection with tools, you should prepare an extra stop valve.

Set-up Drawing



CAUTION: Hole on the finished wall for Showerhead water supply pipe SHOULD NOT be bigger than 1" (25mm). Refer to Installation Procedure.

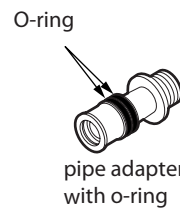
Components



shower arm

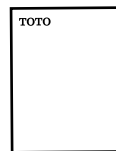


Set screw



O-ring

pipe adapter with o-ring

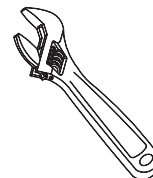


Owner's and Installation manual

Tools you will need



Pipe Tape



Adjustable Wrench



Allen Wrech

Installation Procedure

Caution

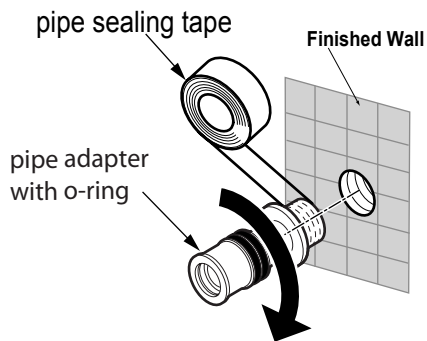
Showerhead needs to be connected with a Renesse volume control valve for Shut-off and a Renesse Thermostatic Mixing Valve for temperature control.

1 Clean the cold/hot water pipes

Before installation dirt and debris in the cold/ hot water supply pipes must be washed out.

2 Installation of Showerhead

- ① Put pipe sealing tape around the pipe adapter.
- ② Screw the adapter into water supply pipe firmly.

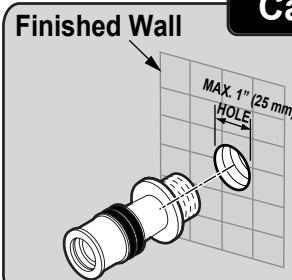


- ③ Screw the shower arm into the pipe adapter and **PRESS IT ON THE WALL.**
- ④ Face the showerhead to the floor and fix the shower arm firmly with setscrew, using an Allen wrench.

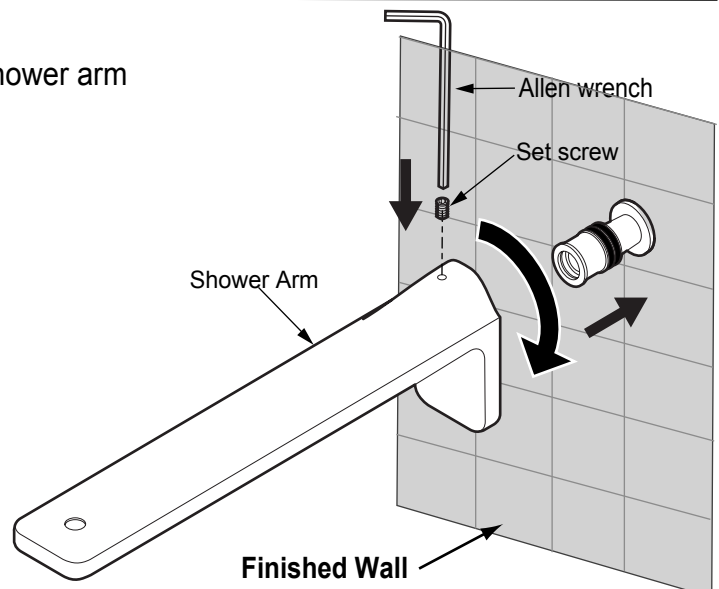
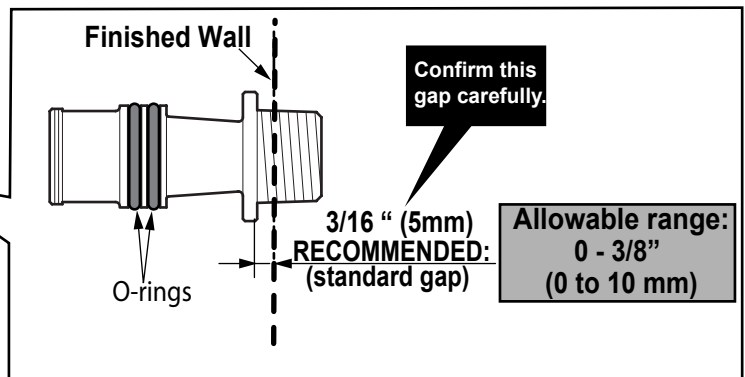
NOTE:

- Be sure to wind the seal tape around the adapter and tighten the pipe adapter very firmly
- Setscrews are for preventing the product from falling. Tighten it very cautiously.
- Tighten the setscrew, with the shower arm being pressed on the wall.

Caution

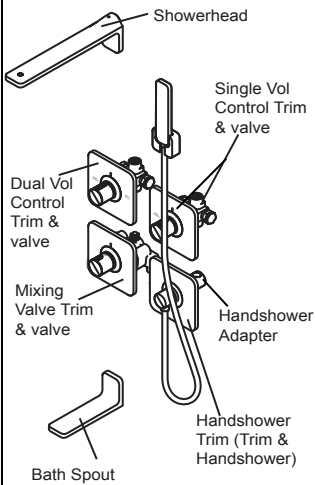


When a hole is made for showerhead water supply pipe, **MAKE SURE** that the hole is not more than 1" (25mm).

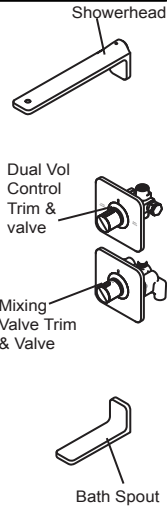


Shower Setup Options

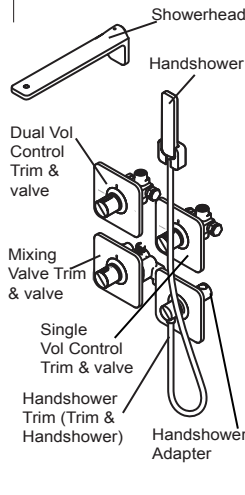
1) Complete Set



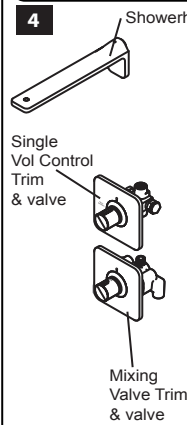
2) w/o Handshower



3) w/o wall spout



4) Showerhead only



| Product Description | Product # |
|--|------------|
| Showerhead | TS170A#CP |
| Bath Spout | TS170E#CP |
| Hand Shower Trim | TS170F#CP |
| Single Volume Control Trim for Hand Shower | TS170C1#CP |
| Hand Shower Adapter | TSKH |
| Thermostatic Mixing Valve Trim | TS170T#CP |
| SMA Thermostatic Mixing Valve | TSKT |
| Single Volume Control Trim for Head Shower | TS170C#CP |
| Single Vol Control Valve | TSKA |
| Dual Volume Control Trim | TS170D#CP |
| Dual Volume Control Valve | TSKD |

These options are provided for easier reference for customers. #CP = Polished Chrome

Maintenance

For performance and cleanliness, please maintain the product everyday.

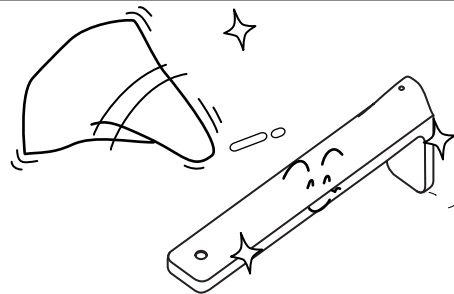
Using a Cloth to Clean

● Slightly dirty

Use water and a damp cloth to wipe away the dirt completely.

● Seriously dirty

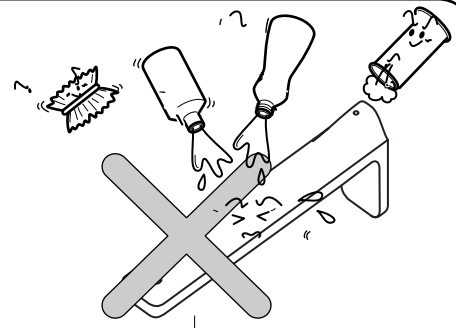
Use cloth with dilute detergent to wipe away the dirt, then wash and dry it.



Notes:

Do not use the following materials

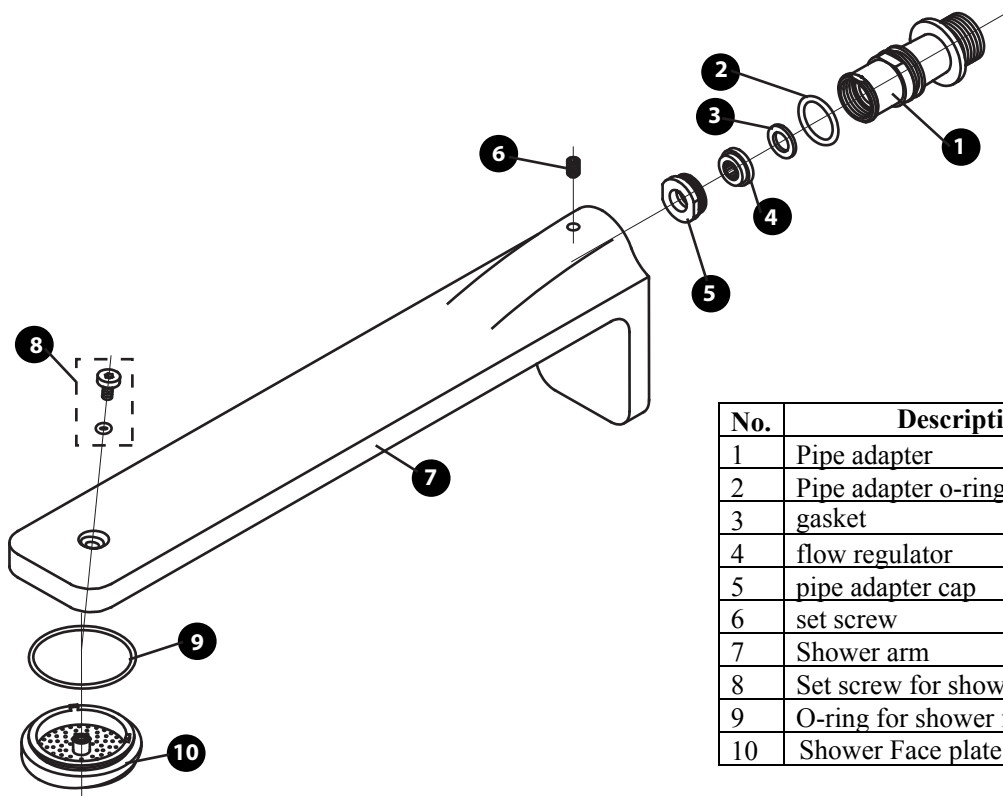
- Acidic cleaning agents, alkaline cleaning agents, or bleaches that are not TOTO scale cleaner.
- Solvents like thinner and benzene
- Cleaning agents like cleanser or grinding powder which contain coarse particles
- Nylon scrubbers and brushes



Troubleshooting

| Problem | Check | Solution | Refer to |
|---|--|--|----------|
| Temperature can not be adjusted easily. | Is the stop valve on the cold/ Hot sides fully opened? | Adjust water flow with stop valve | — |
| | Does the water heater give adequate water? | Check settings on water heater with professional help. | — |
| Flow is too small | Is the face plate blocked? | Clean the face plate with extra care. | — |
| Water leak/ Looseness | Check the showerhead for looseness. Check the pipe adapter for water leak. | | |

Replacement Parts



| No. | Description |
|-----|------------------------------|
| 1 | Pipe adapter |
| 2 | Pipe adapter o-ring |
| 3 | gasket |
| 4 | flow regulator |
| 5 | pipe adapter cap |
| 6 | set screw |
| 7 | Shower arm |
| 8 | Set screw for shower arm |
| 9 | O-ring for shower face plate |
| 10 | Shower Face plate |



WARRANTY

LIFETIME LIMITED WARRANTY

Warranty applies to selected residential faucets only.

1. TOTO® warrants its faucets ("Product") to be free from defects in materials and workmanship during normal residential use for as long as the original consumer end-user purchaser owns their home. This limited lifetime warranty is extended only to the original consumer end-user purchaser and only so long as the Product remains in use by the original consumer end-user purchaser in its original place of installation in the purchaser's residence. This warranty applies only to Product purchased and installed in North America.
2. TOTO® obligations under this warranty are limited to repair or replacement, at TOTO®'s option, of Product or parts found to be defective in normal residential use, provided that such Product was properly installed and used in accordance with the owner's manual. TOTO® reserves the right to make such inspections as may be necessary in order to determine the cause of the defect.
3. This warranty does not apply to the following items:
 - Damage or loss sustained in a natural calamity such as fire, earthquake, flood, thunder, electrical storm, etc.
 - Damage or loss resulting from any accident, unreasonable use, misuse, abuse, negligence, or improper care, cleaning or maintenance of the Product.
 - Damage or loss resulting from sediments or foreign matter contained in a water system.
 - Damage or loss resulting from improper installation or from installation of the Product in a harsh and/or hazardous environment, or improper removal, repair or modification of the Product.
 - Damage or loss resulting from the use of an abrasive cleanser.
4. If the Product is used commercially, TOTO® warrants the Product to be free from defects in materials and workmanship for one (1) year from the date the Product is installed, with all other terms of this warranty applicable except the duration of the warranty.
5. THIS WARRANTY GIVES YOU SPECIFIC LEGAL RIGHTS. YOU MAY HAVE OTHER RIGHTS, WHICH VARY FROM STATE TO STATE OR PROVINCE TO PROVINCE.
6. To obtain warranty repair service under this warranty, you must take the Product or deliver it prepaid to a TOTO® service facility with proof of purchase (original sales receipt) together with a letter stating the problem, or contact a TOTO® distributor or products service contractor, or write directly to TOTO® U.S.A., INC., 1155 Southern road, Morrow, Georgia 30260, (888) 295-8134. If, because of the size of the Product or nature of the defect, the Product cannot be returned to TOTO®, receipt by TOTO® of written notice of the defect together with proof of purchase (original sales receipt) shall constitute delivery. In such case, TOTO® may choose to repair the Product at the purchaser's location or pay to transport the Product to a service facility.

THIS WRITTEN WARRANTY IS THE ONLY WARRANTY MADE BY TOTO®. REPAIR, REPLACEMENT OR OTHER APPROPRIATE ADJUSTMENT AS PROVIDED UNDER THIS WARRANTY SHALL BE THE EXCLUSIVE REMEDY AVAILABLE TO THE ORIGINAL PURCHASER. TOTO® SHALL NOT BE RESPONSIBLE FOR LOSS OF THE PRODUCT OR FOR OTHER INCIDENTAL, SPECIAL OR CONSEQUENTIAL DAMAGES OR EXPENSES INCURRED BY THE ORIGINAL PURCHASER, OR FOR LABOR OR OTHER COSTS DUE TO INSTALLATION OR REMOVAL, OR COSTS OF REPAIRS BY OTHERS, OR FOR ANY OTHER EXPENSE NOT SPECIFICALLY STATED. IN NO EVENT WILL TOTO®'S RESPONSIBILITY EXCEED THE PURCHASE PRICE OF THE PRODUCT. EXCEPT TO THE EXTENT PROHIBITED BY APPLICABLE LAW, ANY IMPLIED WARRANTIES, INCLUDING THAT OF MERCHANTABILITY OR FITNESS FOR USE OR FOR A PARTICULAR PURPOSE, ARE EXPRESSLY LIMITED TO THE DURATION OF THIS WARRANTY. SOME STATES AND PROVINCES DO NOT ALLOW LIMITATIONS ON HOW LONG AN IMPLIED WARRANTY LASTS, OR THE EXCLUSION OR LIMITATION OF INCIDENTAL OR CONSEQUENTIAL DAMAGES, SO THE ABOVE LIMITATION AND EXCLUSION MAY NOT APPLY TO YOU.

TOTO®

©2007 TOTO® USA, Inc. á 1155 Southern Road, Morrow GA 30260
Phone (888)-295-8134 Fax (800)-699-4889 www.totousa.com
TOTO® USA, INC. is a wholly owned subsidiary of TOTO® Ltd.

Printed in August, 2007
0GU3029