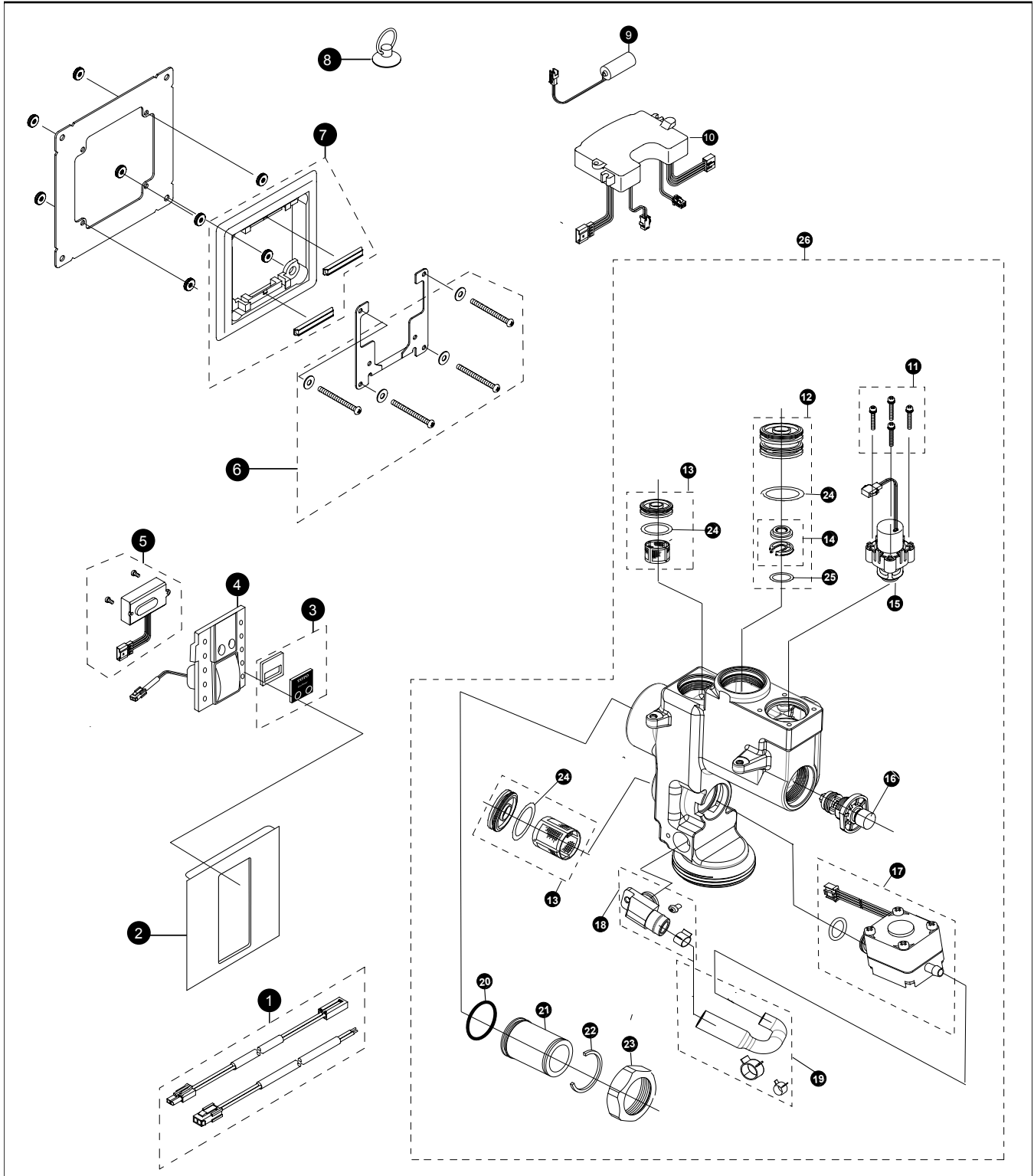


TEU3UN#SS Series

TEU3UN11#SS
TEU3UN#SS

EcoPower® Sensor A Pint Urinal Flush Valve Concealed (4" x 4") - 1/8 GPF Hydro-Power Charge



TEU3UN#SS Series

TEU3UN1#SS
TEU3UN#SS

EcoPower® Sensor Urinal Flush Valve Concealed (4" x 4") - 1/8 GPF Hydro-Power Charge

Item	Part	Description
1	TH559EDV556	Extension Wire Set
2	TH559EDV555	4"x4" Front Panel
3	TH559EDV553	Cover Glass
4	TH559EDV552	Touch Button Assembly Unit
5	THP3016	Sensor Controller & Packing Set (1/8 Gpf only)
6	TH559EDV350	Adjusting Screw Set
7	TH559EDV347	Surface Mounting Frame
8	TH559EDV346	Suction Tool Set
9	THP3053	Back-Up Battery
10	TH559EDV549	Controller (Urinal)
11	TH559EDV301	Double Sems Screws M3 (4 pieces)
12	THP3006	Regulator Cap
13	THP3007	Primary Filter
14	THP3008	Flow regulator
15	THP3009	Solenoid Unit & Diaphragm Assy
16	TH559EDV558	Manual Flushing Button
17	THP3010	Hydro-Power Generator
18	THP3011	Hose Adapter
19	THP3012	Rubber hose connector
20	TH305SV106	O-Rings (Tail Piece)(10 Pieces)
21	TH305SV114	Tail Piece
22	TH305SV105	Locking Rings (10 Pieces)
23	TH305SV113	Nut
24	THP3013	Regulator Cap O-ring
25	THP3014	Flow Regulator washer
26	THP3015	Valve Body Assembly (1/8gpf)

Item	Part	Description
Vacuum Breaker Sets		
	VB13RB-11	Concealed - Back Spud (3/4" Outlet)
Notes		
For additional information, refer to the individual vacuum breaker parts sheets.		

Product Number Explanations

Flush Valve

- (T) Fitting
- (E) Electronic
- (U) Urinal
- (3) Concealed (4x4) Plate
- (U) Ultra Low 1/8gpf Hydro Generator
- (N) Neutral Rough-In
- (11) 3/4" Outlet Back Spud
- (#SS) Stainless Finish