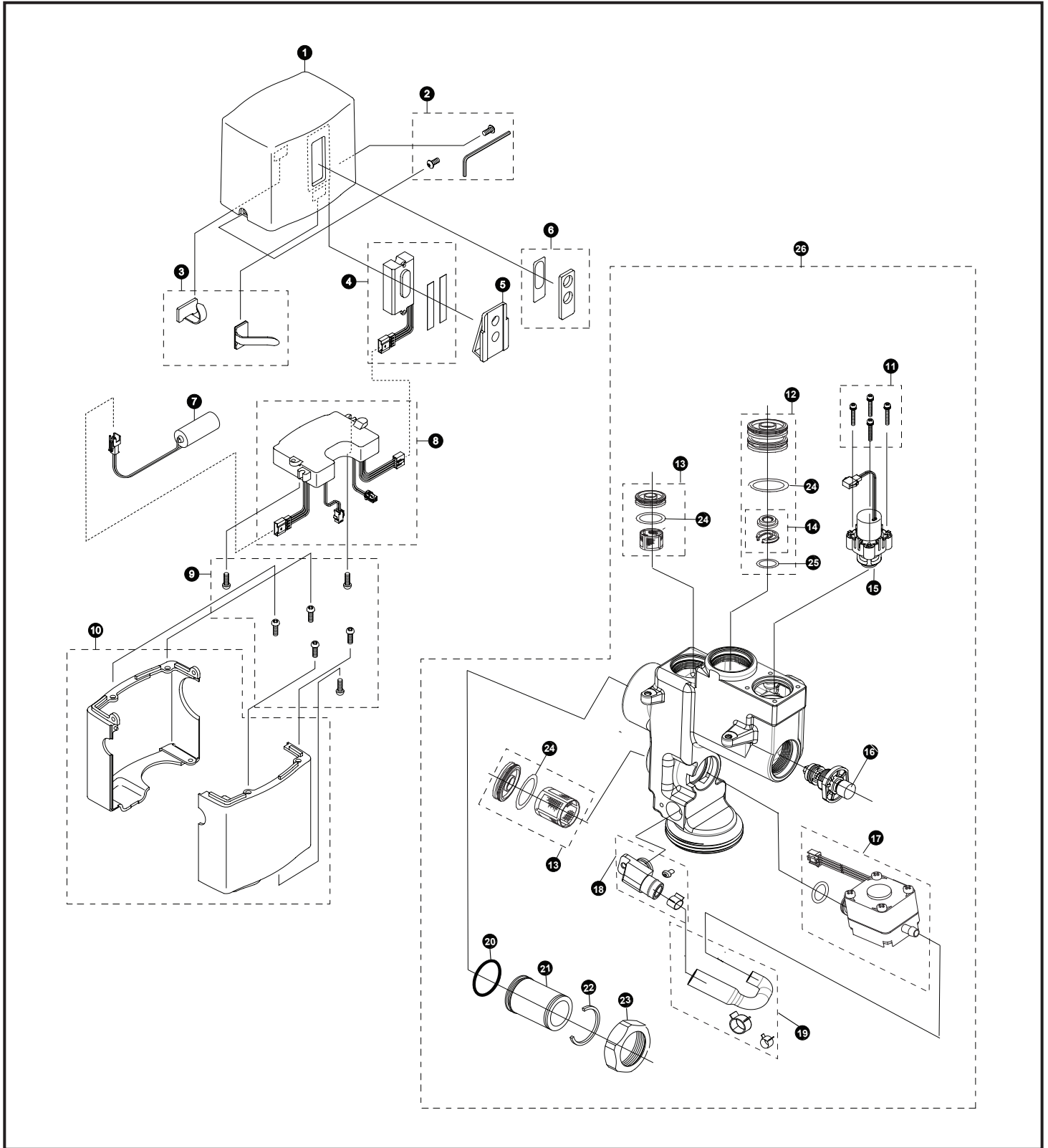


EcoPower® Sensor A Pint Urinal Flush Valve  
Exposed - 1/8 Gpf  
Hydro-Power Charge



TEU1UN12#CP  
TEU1UN#CP

**EcoPower® Sensor A Pint Urinal Flush Valve  
Exposed - 1/8 Gpf  
Hydro-Power Charge**

<b>Item</b>	<b>Part</b>	<b>Description</b>
1	TH559EDV511	Top Cover
2	THU3051	Set Screw & Allen Wrench Set
3	TH559EDV517	Clamp Set
4	THP3005	Sensor Controller & Packing Set (1/8 Gpf only)
5	TH559EDV516	Holder
6	TH559EDV514	Glass & Packing Set
7	THP3053	Back-Up Battery
8	TH559EDV519	Controller (Urinal)
9	TH559EDV513	M4 Screws (5 pieces)
10	TH559EDV512	Lower Cover Set
11	TH559EDV301	Double Sems Screws M3 (4 pieces)
12	THP3006	Regulator Cap
13	THP3007	Primary Filter
14	THP3008	Flow Regulator
15	THP3009	Solenoid Unit & Diaphragm Assy
16	TH559EDV506	Manual Flushing Button
17	THP3010	Hydro-Power Generator
18	THP3011	Hose Adapter
19	THP3012	Rubber Hose Connector
20	TTH305SV106	O-Rings (Tail Piece)(10 Pieces)
21	TH305SV114	Tail Piece
22	TH305SV105	Locking Rings (10 Pieces)
23	TH305SV113	Nut
24	THP3013	Regulator Cap O-ring
25	THP3014	Nut
26	THP3015	Valve Body Assembly (1/8 Gpf)

**Vacuum Breaker Sets**

VB9CP-12 Exposed - Top Spud (3/4" Outlet)

Note: For additional information, refer to the individual vacuum breaker parts sheets.

**Product Number Explanations**

**Flush Valve**

- (T) Fitting
- (E) Electronic
- (U) Urinal
- (1) Exposed
- (U) Ultra Low A Pint Hydro Generator
- (N) Neutral Rough-In
- (1) 3/4" Outlet
- (2) Top Spud
- (#CP) Chrome Finish