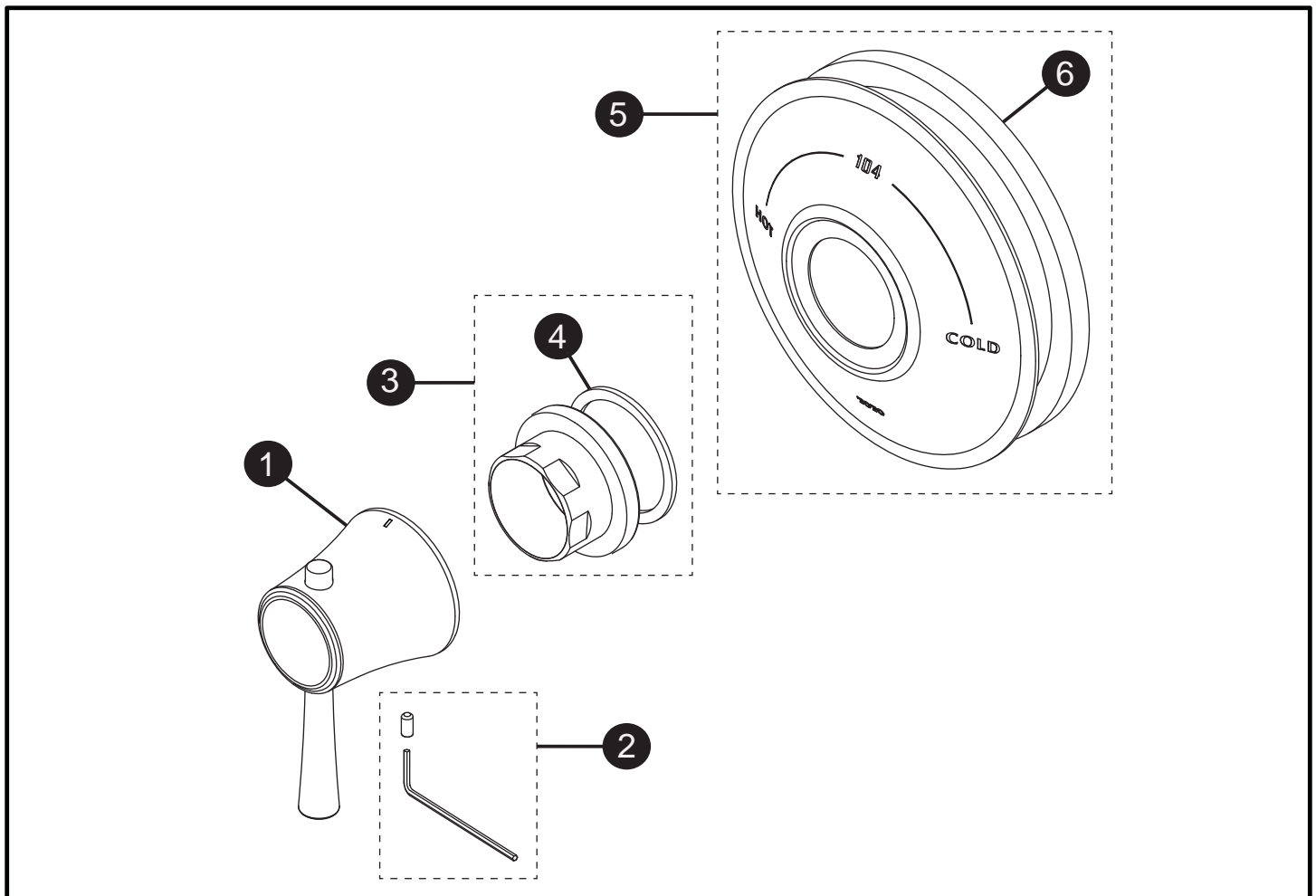


Silas™
Thermostatic Trim



Item	Part	Description
1*	THP4852#\$\$	Handle Assembly
2	THP4846	Set Screw and Hex Wrench
3*	THP4847#\$\$	Nut with Gasket
4	THP4848	Gasket
5*	THP4853#\$\$	Escutcheon with Gasket
6	THP4849	Gasket

LEGEND
\$\$ = Denotes Finish
#CP = Polished Chrome
#BN = Brushed Nickel
#PN = Polished Nickel

* Please specify finish when ordering