



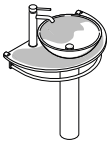
FRESCA®

FVN1060 GLASS

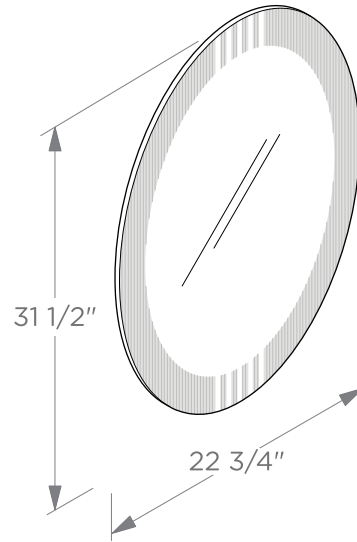
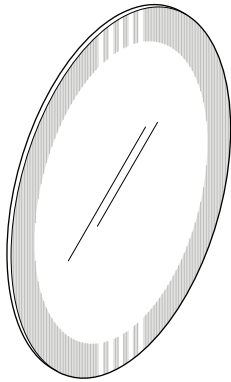
INSTALLATION GUIDE

CONTENTS:

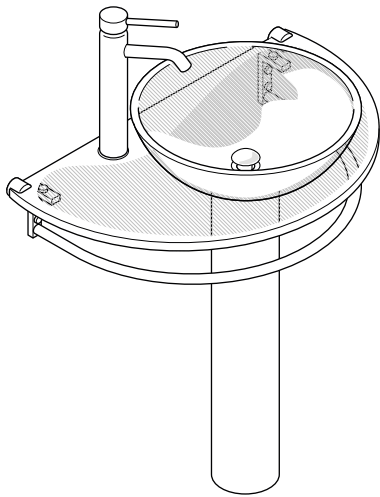
Combo Unit (CMB1060).....	PAGE 2 (STEP 3)
Mirror.....(FMR1060).....	PAGE 2 (STEP 4)



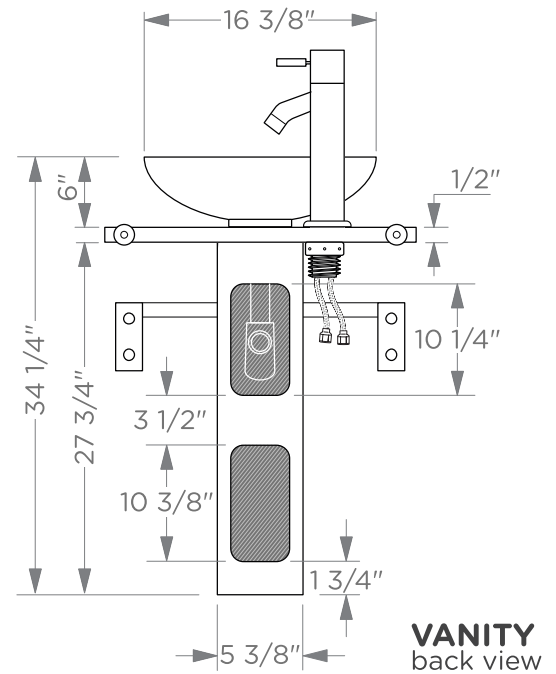
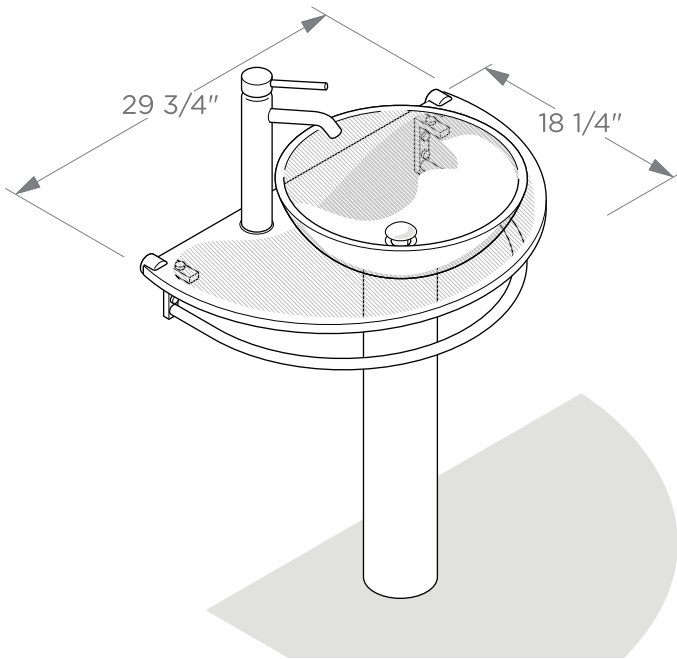
FVN1060
ATTRAZIONE
INSTALLATION GUIDE



MIRROR
 front view



VANITY
 front view



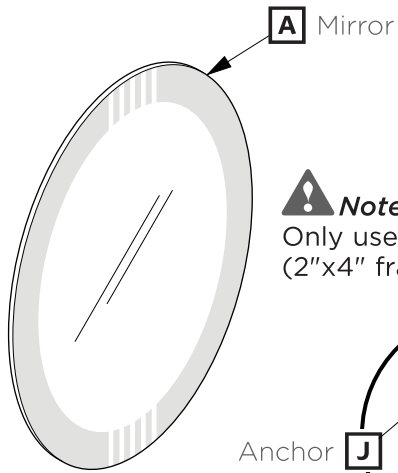
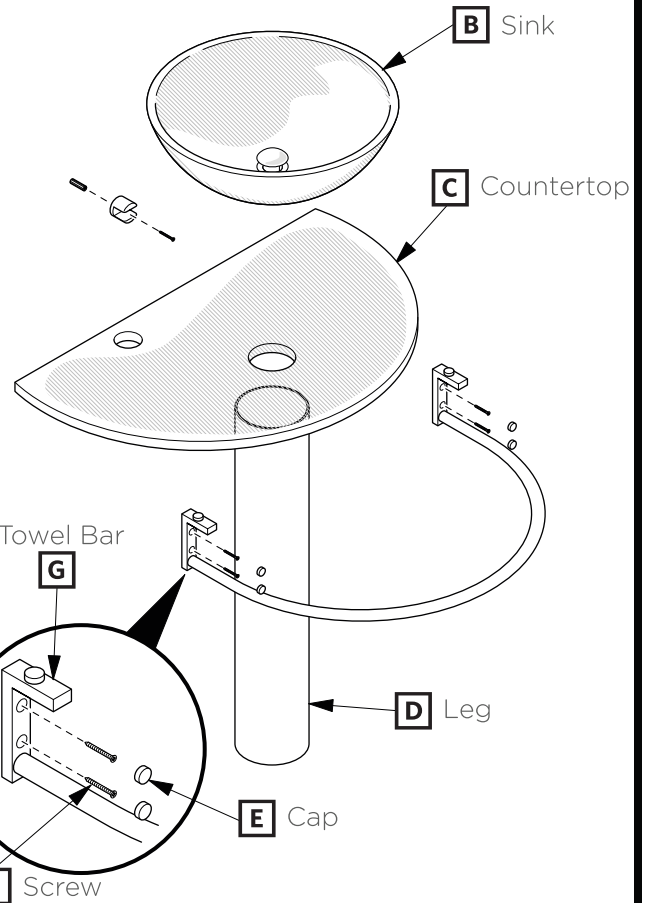
VANITY
 back view

 ALL DIMENSIONS & SPECIFICATIONS ARE APPROXIMATE AND SUBJECT TO CHANGE WITHOUT NOTICE.

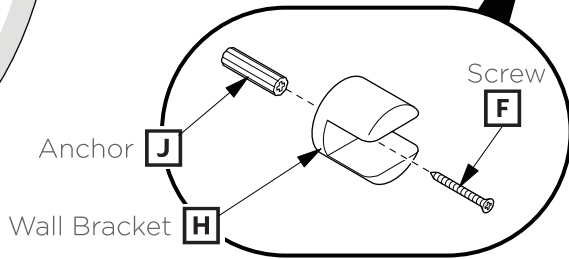
TOOLS FOR ASSEMBLY



PARTS



Note:
Only use anchors (J) if stud (2"x4" frame) is not available.

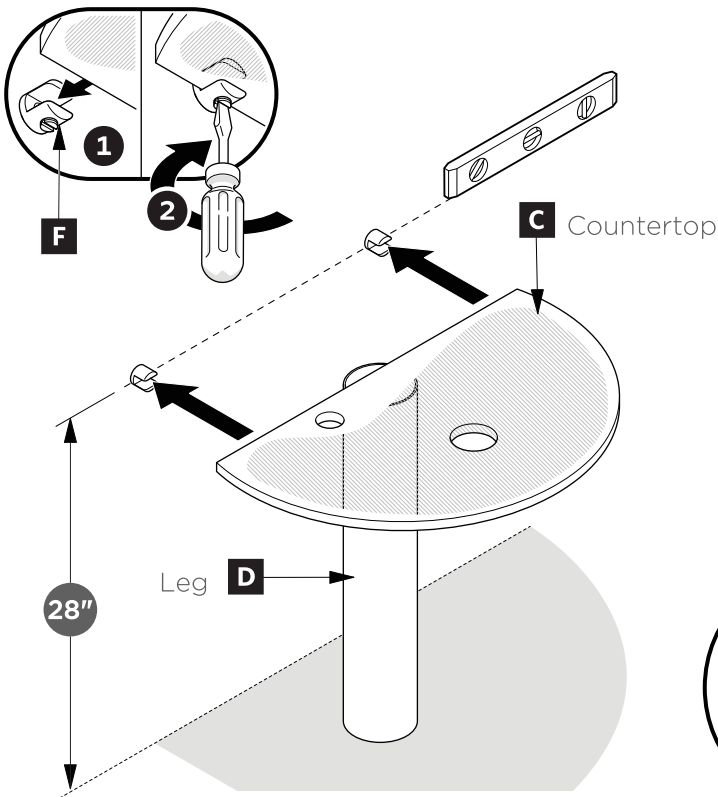


1. Install wall brackets (H).

CONSULT AN EXPERT FOR THE PROPER SCREWS/BOLTS TO USE WHEN ATTACHING TO VARIOUS WALL CONSTRUCTIONS. SCREWS PROVIDED DO NOT ATTACH TO ALL WALL CONSTRUCTION TYPES.

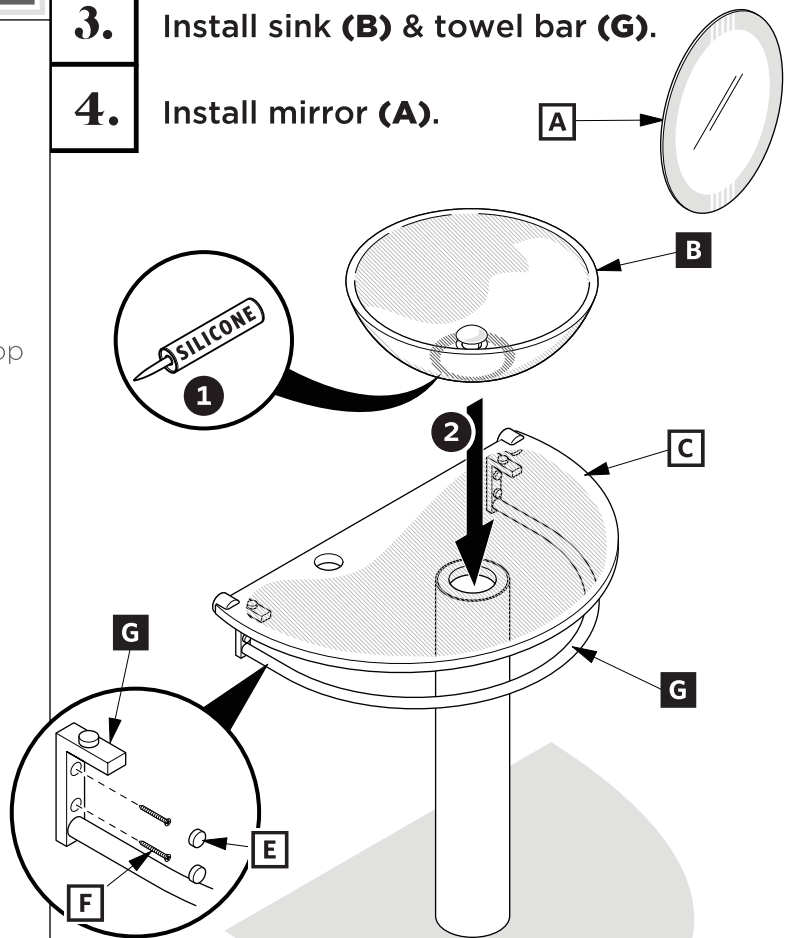
Note:

2. Locate a leg (D) & install countertop (C).



3. Install sink (B) & towel bar (G).

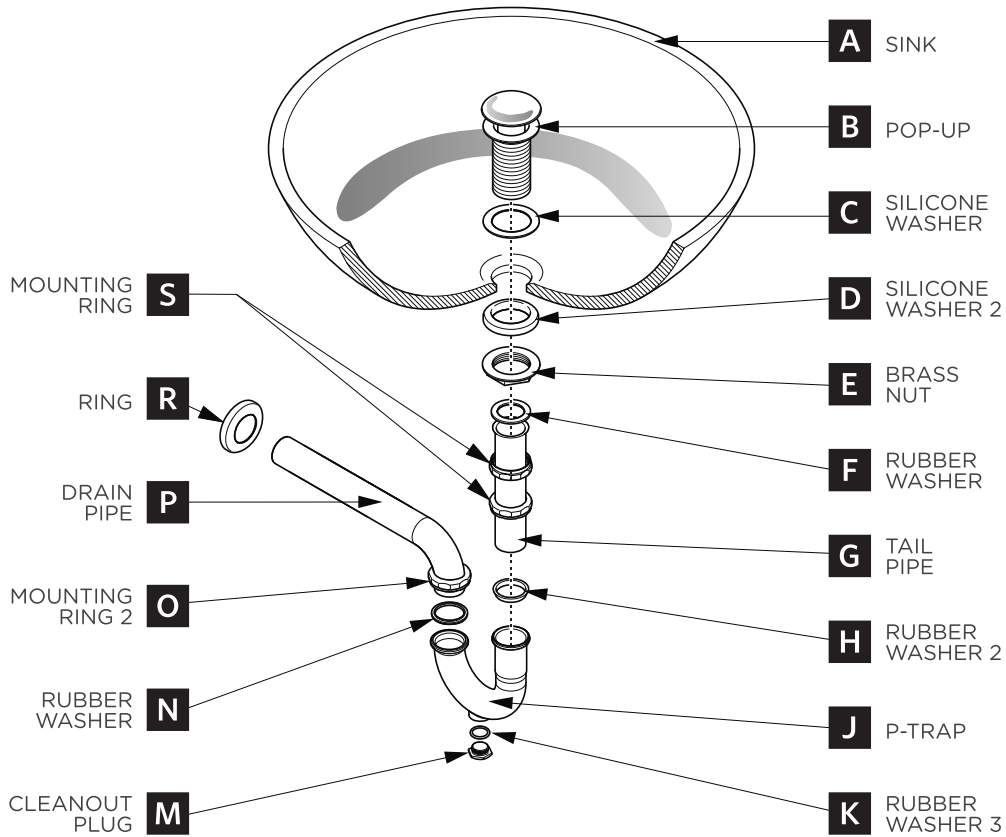
4. Install mirror (A).



P-TRAP & POP-UP

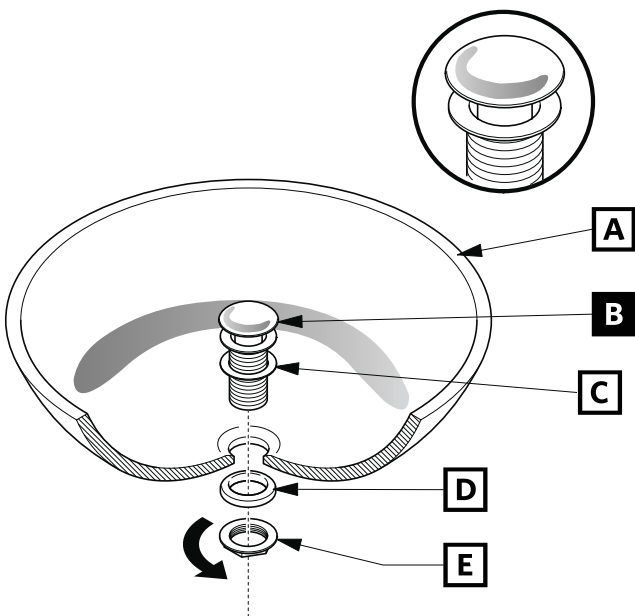
INSTALLATION INSTRUCTIONS

Your item may appear slightly different from the illustration.



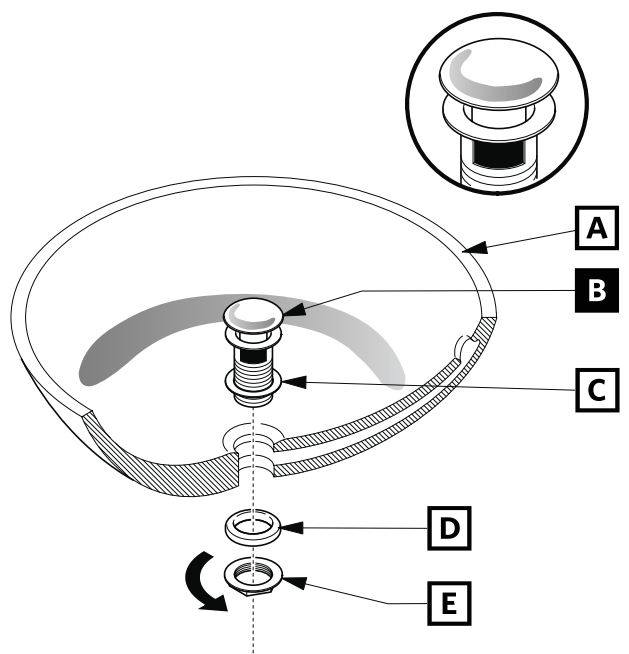
POP-UP INSTALLATION

FOR SINKS WITHOUT OVERFLOW



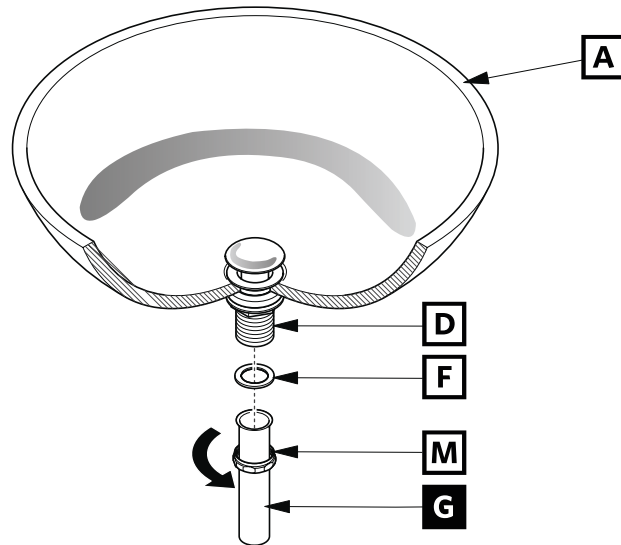
OR

FOR SINKS WITH OVERFLOW



P-TRAP INSTALLATION

1. Install tail pipe (G)



2. Install P-trap (J)

