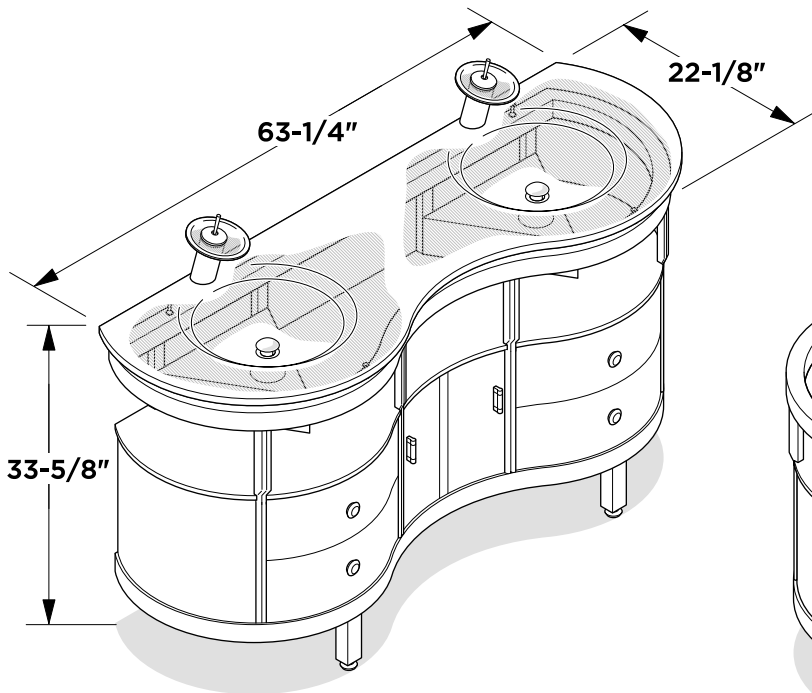
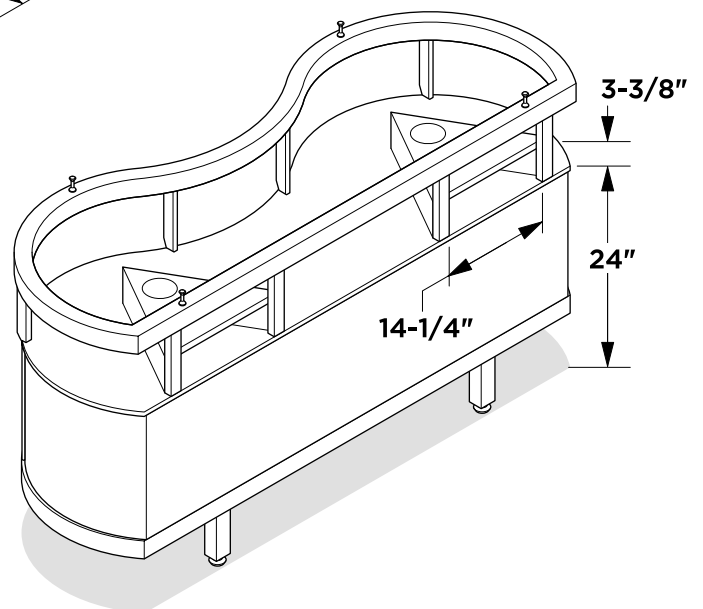


FVN3331ES

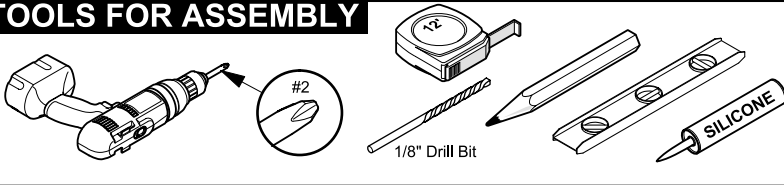
Vanity Front



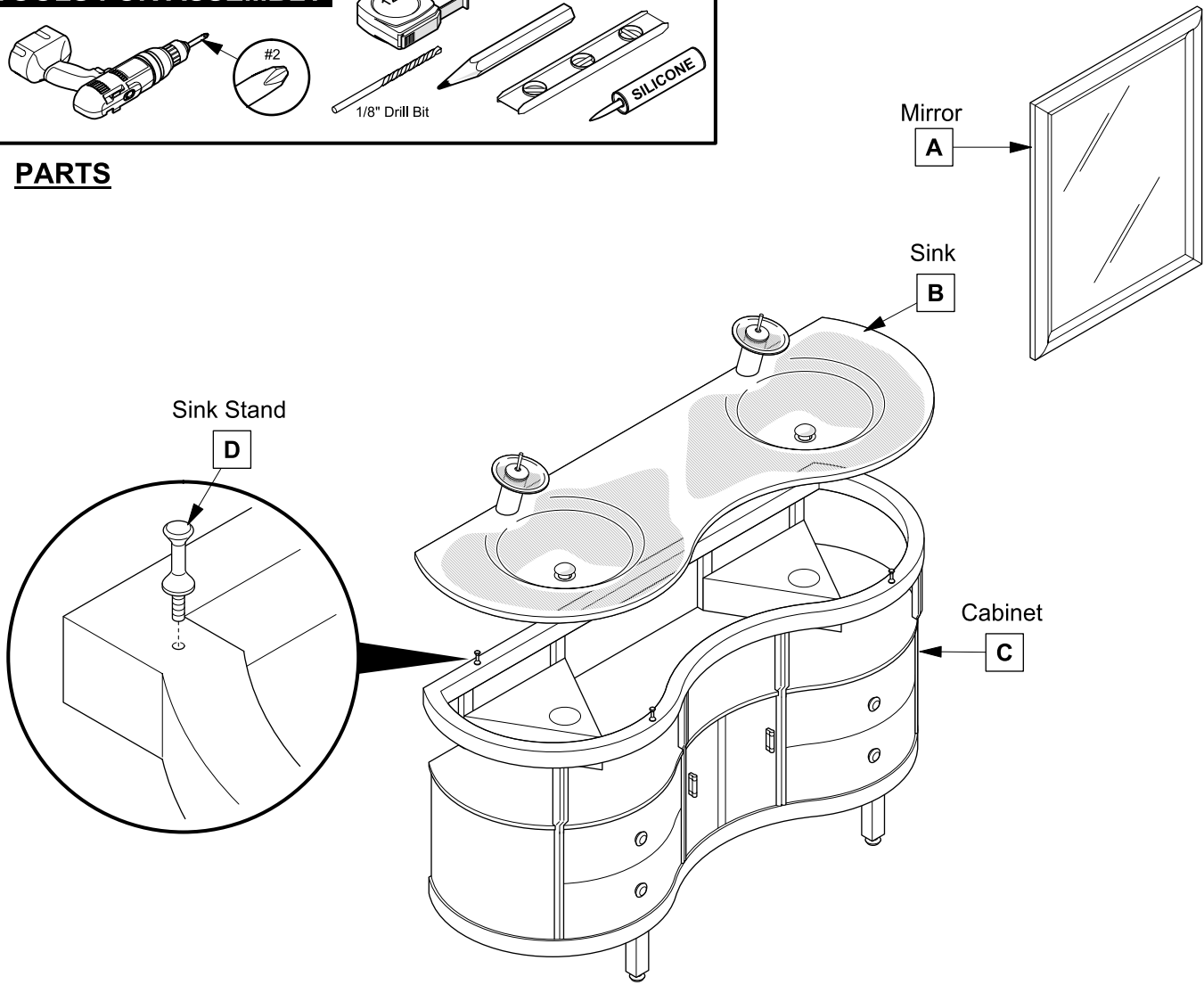
Vanity Back



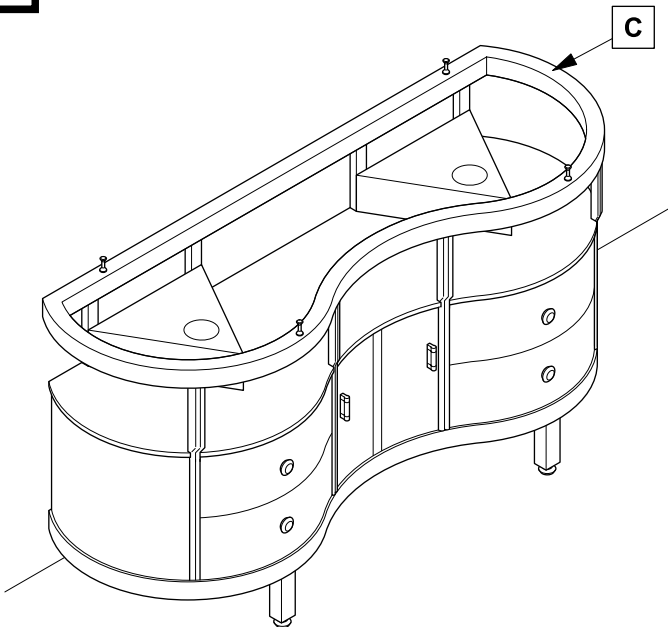
TOOLS FOR ASSEMBLY



PARTS



1 Position cabinet (C)



2 Install sink (B)

