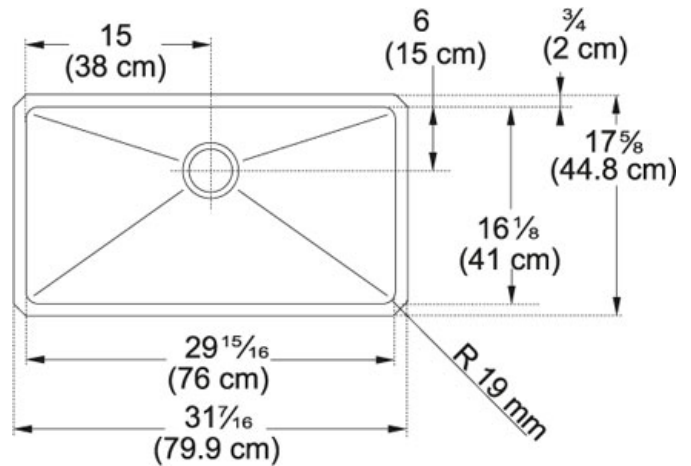


Professional Series PSX1103010 Stainless Steel |

122.0167.433

FAMILY : Sinks | SERIE : Professional Series | MODEL : PSX1103010 | FINISH : Stainless Steel | INSTALLATION TYPE : Undermount | STYLE : Contemporary



Professional Series sinks are undermounted for an immaculate countertop. If an authentic restaurant kitchen is your fancy, the Professional Series is the real thing. It is designed with sturdy commercial-grade stainless (16-gauge) and is deep enough to accommodate the bulky equipment used by the serious cook.

TECHNICAL DATA

Minimum Cabinet Size	36"
Drain Opening	3 1/2"
Length overall	31 7/16"
Width overall	17 5/8"
Length of large bowl	29 15/16"
Width of large bowl	16 1/8"
Depth of large bowl	10"
Number of Bowls	1
Type of Material	16 Gauge Stainless Steel
Cut-Out Template	Yes
Installation Clips	Yes
Where to buy	Showroom
Where to buy	Showroom

Professional Series PSX1103010 Stainless Steel |
122.0167.433

FAMILY : Sinks | SERIE : Professional Series | MODEL : PSX1103010 | FINISH : Stainless Steel | INSTALLATION TYPE :
Undermount | STYLE : Contemporary

RECOMMENDED



115.0190.774



120.0296.741



119.0068.281



134.0297.202



133.0171.120



119.0066.616
