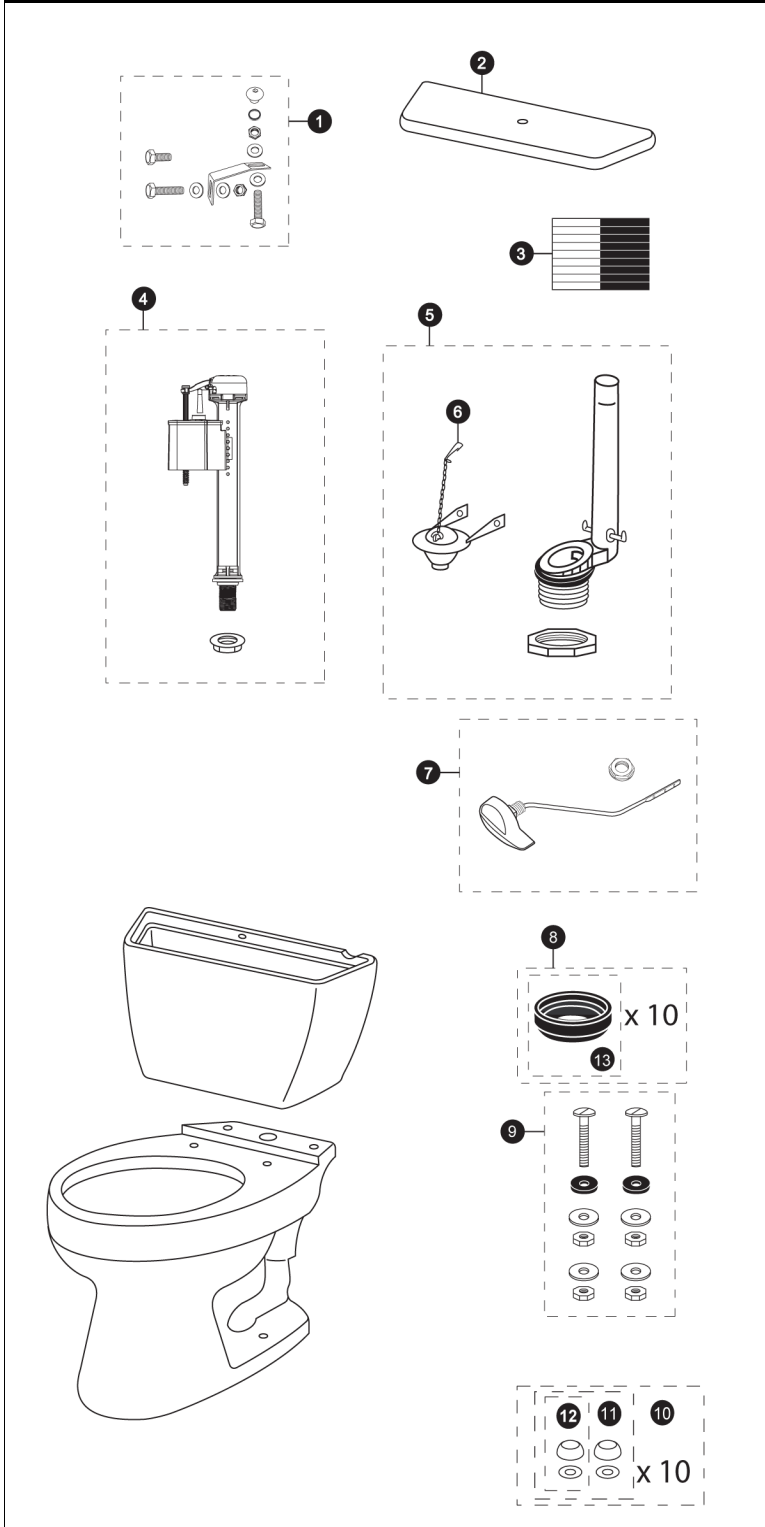


CST716DB
ST706DB
C716

Carusoe®

**1.6 Gpf Toilet, Elongated,
Gravity, 12" Rough-In,
Insulated Tank, Bolt Down Tank Lid**



| Items | Parts | Description |
|-------|--------------|---|
| 1 | THU089 | Bolt Down Set |
| 2 | TCU706BCR#01 | Bolt Down Tank Lid w/ Velcro - Cotton |
| | TCU706BCR#03 | Bolt Down Tank Lid w/ Velcro - Bone |
| | TCU706BCR#11 | Bolt Down Tank Lid w/ Velcro - Colonial White |
| | TCU706BCR#12 | Bolt Down Tank Lid w/ Velcro - Sedona Beige |
| 3 | THU107 | Velcro Tape |
| 4 | TSU99A.X | Fill Valve |
| 5 | THU255-A | Flush Valve |
| 6 | THU260 | Flapper w/ Chain - Insulated Tank |
| 7 | THU061#01 | Trip Lever - Cotton |
| | THU061#03 | Trip Lever - Bone |
| | THU061#11 | Trip Lever - Colonial White |
| | THU061#12 | Trip Lever - Sedona Beige |
| | THU061#CP | Trip Lever - Polished Chrome |
| | THU061#BN | Trip Lever - Brushed Nickel |
| | THU061#PN | Trip Lever - Polished Nickel |
| 8 | THU102 | Tank to Bowl Gaskets (10 pieces) |
| 9 | TSU01D | Tank Mounting Kit |
| 10 | THU098#01 | Bolt Cap Sets - Cotton (20 pieces) |
| | THU098#03 | Bolt Cap Sets - Bone (20 pieces) |
| | THU098#11 | Bolt Cap Sets - Colonial White (20 pieces) |
| | THU098#12 | Bolt Cap Sets - Sedona Beige (20 pieces) |
| 11 | THU044S#01 | Bolt Cap Set - Cotton (2 pieces) |
| | THU044S#03 | Bolt Cap Set - Bone (2 pieces) |
| | THU044S#11 | Bolt Cap Set - Colonial White (2 pieces) |
| | THU044S#12 | Bolt Cap Set - Sedona Beige (2 pieces) |
| 12 | THU044#01 | Bolt Cap - Cotton |
| | THU044#03 | Bolt Cap - Bone |
| | THU044#11 | Bolt Cap - Colonial White |
| | THU044#12 | Bolt Cap - Sedona Beige |
| 13 | 9BU014E | Tank to Bowl Gasket |

Note:

Product Number Explanations

Two-Piece Toilet

(CST) Gravity Type Toilet
(716) Model
(D) Insulated Tank
(B) Bolt Down Tank Lid

Tank

(ST) Tank
(706) Model
(D) Insulaed Tank
(B) Bolt Down Tank Lid

Bowl

(C) Bowl
(716) Model

Actual Product may vary slightly from illustration.