

## 1/8 GPF Urinal EcoPower® Flushometer Valve

### FEATURES

- Electronic flushometer valve, neutral rough-in, complete with 3/4" angle stop and 3/4" vacuum breaker set
- Hydropower self-generating system
- 1/8 GPF or less
- Manual override button
- 12 hour automatic flush for trap seal protection

### MODELS

- TEU1UN#CP  
Valve only, Left and right rough, Chrome plated finish
- TEU1UN12#CP (3/4" Vacuum breaker)  
Left and right rough, Polished Chrome finish  
Complete set supplied with:  
Vacuum breaker & angle stop set - VB9CP-12
  - 3/4" Angle stop - 10077t4
  - 3/4" Vacuum breaker - 10075t2
  - Spud nut & escutcheon - 71051Nt5
  - Sweat solder kit - TH559EDVSJ1
- Optional Part:  
Z-4000-J - Adapter for ground joint angle stops

### COLORS/FINISHES

- #CP Chrome

### CODES/STANDARDS (to be listed)

- Meets or exceeds ASSE 1037, CSA B125.3
- Certifications: IAPMO(cUPC), ASSE, State of Massachusetts, and others
- Code Compliance: UPC, IPC, NSPC, NPC Canada, California AB715, California Green Building Code and others
- ADA compliant



### PRODUCT SPECIFICATION

TOTO® Model No. \_\_\_\_\_  
Automatic infrared sensor activated, urinal flush valve. Heavy-duty zinc die cast cover with nickel chrome finish. Vandal resistant hex head screws. Automatic sensor adjustment on installation. Manual override button incorporated. Solenoid with self-cleaning mechanism. Automatic flush every twelve hours if not used. Angle stop and vacuum breaker included with accessories.

# TEU1UN Series

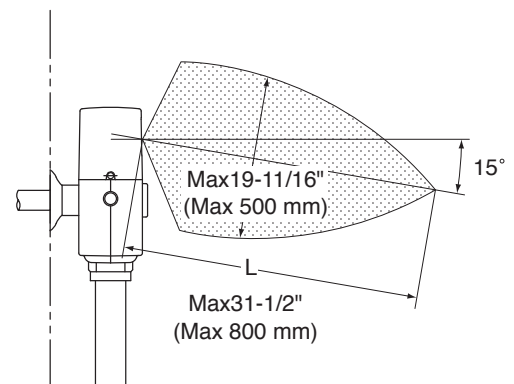
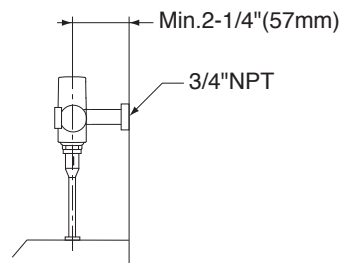
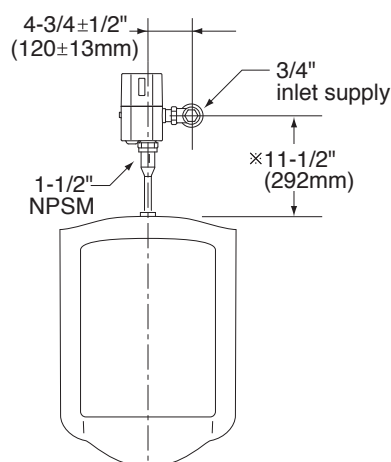
## 1/8 GPF Urinal EcoPower® Flushometer Valve

### SPECIFICATIONS

- Warranty Three Year Warranty
- Material Bronze casting
- Power Supply Hydro-Power Charge
- Water Supply 3/4" NPT
- Detection time Factory setting at six (6) seconds minimum
- Detection range Self-adjusting to environment
- Discharge quantity Preset to 1/8 gpf / 0.47 lpf
- Operating temperature 32°-104°F (0°-40°C)
- Supply water pressure 15 psi - 125 psi\*
- Trap seal protection Automatically flushes once after twelve (12) hours of non-use

These specifications are subject to change without notice.

\*Water pressures over 80 psi are not recommended for most plumbing fixtures. Check your local plumbing code for details.



\*Check local codes

**TOTO®**

*These dimensions and specifications are subject to change without notice*