

High-Efficiency Urinal EcoPower® Flushometer Valve, 0.5 gpf

FEATURES

- Hydropower self-generating system
- Electronic flushometer valve complete with 3/4" angle stop and 1-1/4" or 3/4" vacuum breaker set
- 0.5 gpf or less
- Back spud - concealed 4" x 4" Cover plate
- 12 hour automatic flush for trap seal protection

MODELS

- TEU3LN#SS
Valve only, Surface mount, Satin finish
- TEU3LN11#SS (3/4" Vacuum breaker)
Back spud, Satin finish
Complete set supplied with:
Vacuum breaker & angle stop set - VB13RB-11
 - 3/4" Angle stop - 10077t6
 - 3/4" Vacuum breaker - 10075t6
 - Outlet tube - TH559EDV171
 - Sweat solder kit - SJ1
- TEU3LN21#SS (1-1/4" Vacuum breaker)
Back spud, Satin finish
Complete set supplied with:
Vacuum breaker & angle stop set - VB13RB-21
 - 3/4" Angle stop - 10077t6
 - 1-1/4" Vacuum breaker - 10075t7
 - Outlet tube - TH559EDV172
 - Sweat solder kit - SJ1
- Optional Part:
Z-4000-J - Adapter for ground joint angle stops



Piston Valve

COLORS/FINISHES

- #SS Stainless Steel Satin finish

CODES/STANDARDS

- Meets or exceeds ASSE 1037, CSA B125.3
- Certifications: IAPMO(cUPC), ASSE, State of Massachusetts, City of Los Angeles, and others
- Code Compliance: UPC, IPC, NSPC, NPC Canada, and others
- ADA compliant



PRODUCT SPECIFICATION

TOTO® Model No. _____
Automatic Infrared sensor activated, toilet valve. Heavy-duty 4" x 4" stainless steel coverplate with satin finish. Low water consumption of 0.5 gallons per flush. Piston valve with stainless steel self-cleaning debris screen and self-cleaning solenoid. Automatic flush every twelve hours if not used. Electrical sensor separated from valve and sealed in a waterproof compartment. manual override button incorporated. Through the use of TOTO's EcoPower® Flush Valves, using the valve 30 flushes per day will fully recharge the valve for up to 10 years.

TEU3LN Series

High-Efficiency Urinal EcoPower® Flushometer Valve, 0.5 gpf

SPECIFICATIONS

- Warranty Three Year Warranty
- Material Bronze casting with stainless steel satin finish
- Power Supply Hydropower self-generating system
- Water Supply 3/4" NPT
- Detection time Factory setting at six (6) seconds minimum
- Detection range Self-adjusting to environment
- Discharge quantity Preset to 0.5 gpf / 2.4 lpf
- Operating temperature 32°-104°F (0°-40°C)
- Supply water pressure 15 psi - 125 psi*
- Trap seal protection Automatically flushes once after twelve (12) hours of non-use

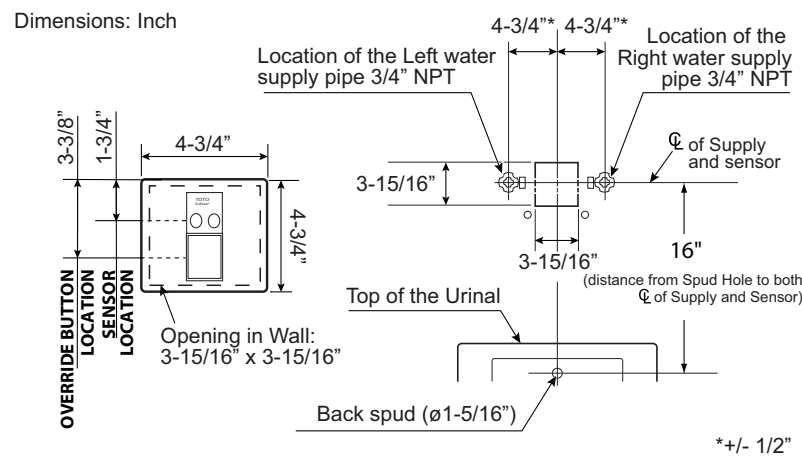
These specifications are subject to change without notice.
 *Water pressures over 80 psi are not recommended for most plumbing fixtures.
 Check your local plumbing code for details.

INSTALLATION NOTES

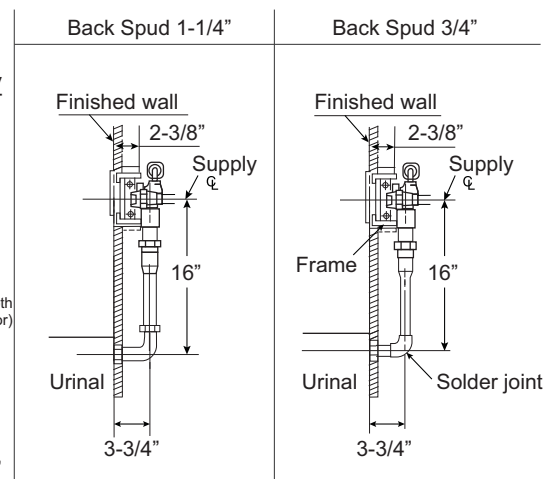
The recommended installation for the urinal flushometer valve is to have a 7" (178mm) minimum space in wall. Also a minimum 12" x 12" access panel or walk-in chase is required for service and maintenance.

Wall thickness: Min. 5/8" (16mm) - Max. 1-5/8" (41mm).
 Contact TOTO for different thickness.

DIAGRAM



RECOMMENDED INSTALLATION



TOTO

These dimensions and specifications are subject to change without notice