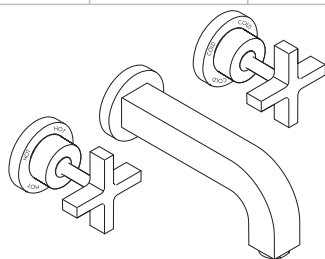
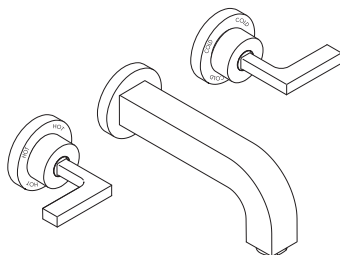


Installation Instructions / Warranty



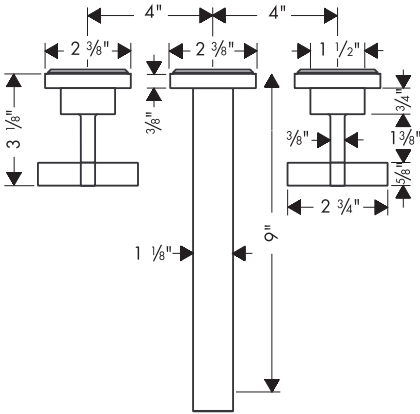
Axor Citterio
39143XX1



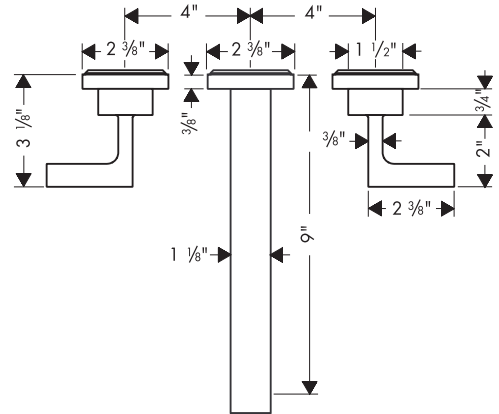
Axor Citterio
39147XX1

AXOR[®]
hansgrohe

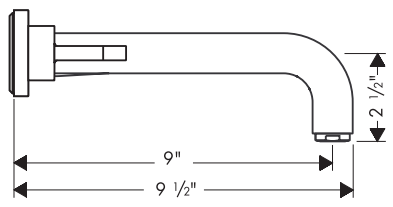
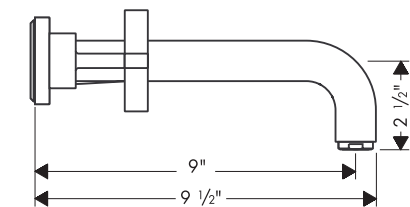
Axor Citterio Wall Mount Lav Mixer with Cross Handles 39143XX1
 Axor Citterio Wall Mount Lav Mixer with Lever Handles 39147XX1



39143XX1



39147XX1



Technical Information

Recommended water pressure	14.7 - 72.5 psi
Max. water pressure	145
Recommended hot water temp.	120° - 140° F*
Max. hot water temp	165° F*
Flow rate	1.5 gpm

*Please know and follow all applicable local plumbing codes when setting the temperature on the water heater.

Installation Considerations

- For best results, Hansgrohe recommends that this unit be installed by a licensed, professional plumber.
- Please read over these instructions thoroughly before beginning installation. Make sure that you have all tools and supplies needed to complete the installation.
- Rough 10303181 must be installed, and the wall finished prior to installation of this trim kit.
- This faucet does not include a drain. Contact the manufacturer of the sink for their recommendation for a suitable drain.

Installation

Remove the inserts from the plaster shields.

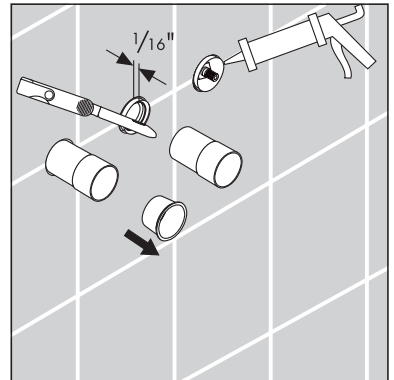
Trim the plaster shields to 1/16" from the finished wall.



Seal the wall around the plaster shields with waterproof sealant.

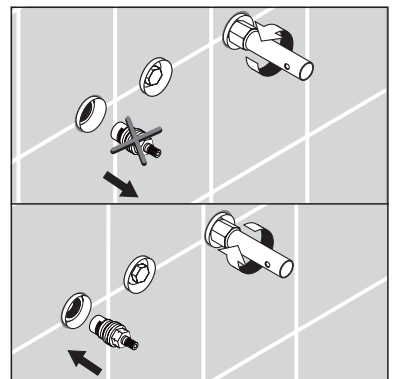


Failure to seal the wall can lead to possible water damage.



Lever handle model (39147XX1) only:

Use a 17 mm deep socket wrench to remove the cartridges from the rough-in. Install the new 1/4 turn ceramic cartridges included with the trim kit. The new hot cartridge is marked with notches on the wrench flats.



All models:

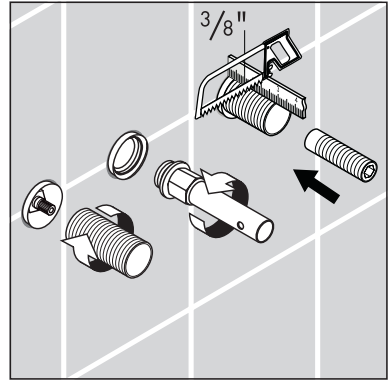
Remove the plug from the spout port.

Install the handle slip coupling.

Use a ruler to measure a point on the coupling $\frac{3}{8}$ " from the surface of the finished wall. Mark the coupling at that point.

Cut the coupling.

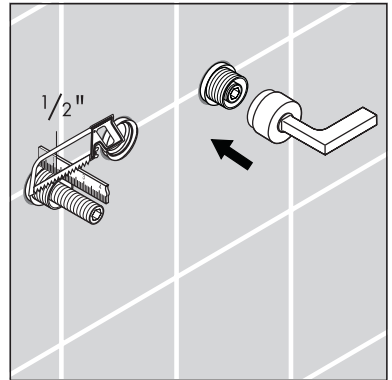
Insert the extension spindle.



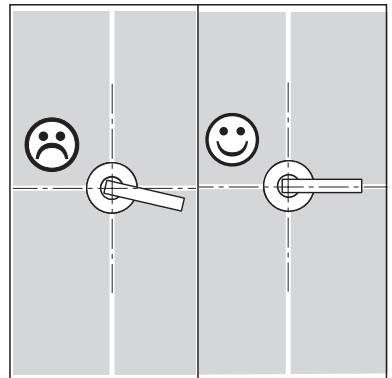
Use a ruler to measure to a point on the extension spindle $\frac{1}{2}$ " from the surface of the finished wall. Mark the extension spindle at that point.

Cut the extension spindle.

Push the handle into place.



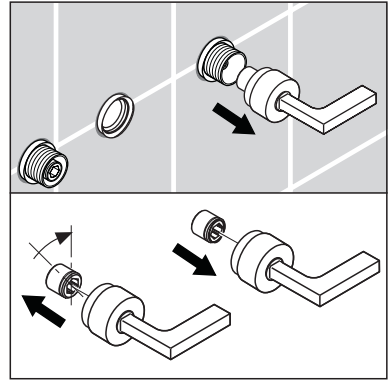
The handle should be parallel to the floor.



If it is not, remove it.

Remove the extension spindle from the handle. Turn it slightly and reinsert it.

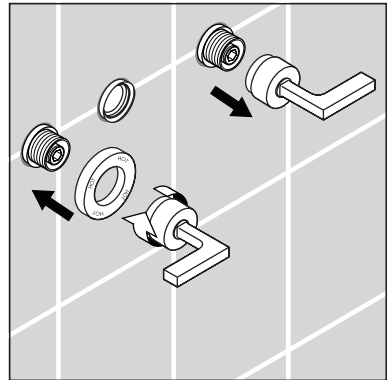
Replace the handle. It should now be parallel to the floor.



Remove the handle.

Push the escutcheon over the slip coupling.

Place the handle over the valve. Turn the handle base clockwise, so that it threads onto the slip coupling.

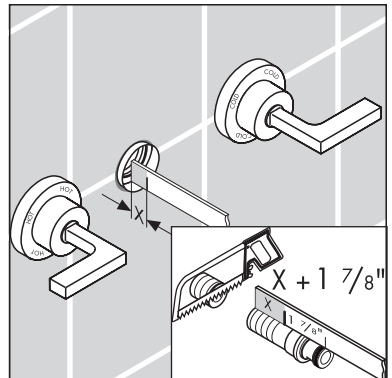


Install the spout

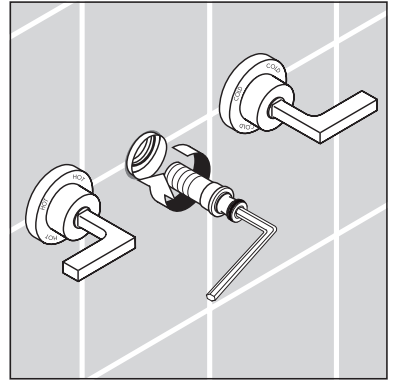
Use a ruler to measure from the metal part of the spout port to the outside edge of the plaster shield. Record the measurement ("x").

Add $1\frac{7}{8}$ " to "x". Record this measurement.

Measure the spout connector from the outlet end to a point $X + 1\frac{7}{8}$ ". Mark the spout connector at this point. Cut it. The total length of the spout connector should be $X + 1\frac{7}{8}$ ".



Wrap the threads on the spout connector with several layers of Teflon tape. Screw the spout connector into the port.

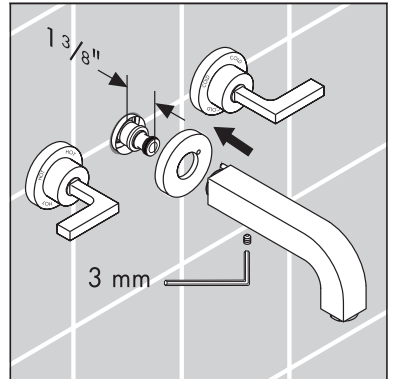


Measure the spout connector. It should extend from the plaster shield $1\frac{3}{8}$ ".

Place the escutcheon over the spout connector.

Press the spout over the connector. The pin on the back of the spout should align with the keyhole on the spout escutcheon.

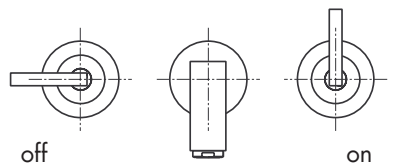
Use a 3 mm Allen wrench to tighten the set screw on the bottom of the spout.



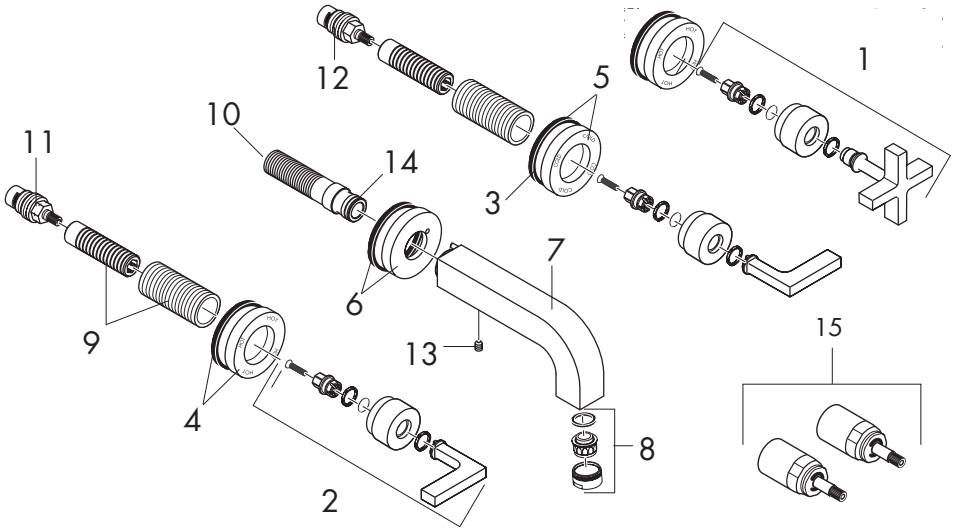
User Instructions

Turn the handle upward to turn the water on – clockwise for hot, counter-clockwise for cold. Turn the handle downward to turn the water off.

In the off position, the handles should be parallel to the floor.



Replacement Parts



1	handle, cross	39295XX0
2	handle, lever	39296XX0
3	seal	97530000
4	hot escutcheon	96755XX0
5	cold escutcheon	96754XX0
6	spout escutcheon	96756XX0
7	spout, 9"	97239XX0
8	aerator	13185XX0
9	handle fixing set	96392000
10	spout connector	97228000
11	hot cartridge	96351000*
12	cold cartridge	96350000*
13	set screw	97660000
14	o-ring, 16 x 2.5	98134000
15	extension kit (optional)	96259000

XX = color

00 = chrome

82 = brushed nickel

*not included with 39143XX1

Cleaning Recommendation for Hansgrohe Products

Modern lavatory faucets, kitchen faucets, and showers consist of very different materials to comply with the needs of the market with regard to design and functionality. To avoid damage and returns, it is necessary to consider certain criteria when cleaning.

Cleaning Materials for Faucets and Showers

Acids are a necessary ingredient of cleaning materials for removing lime, however please pay attention to the following points when cleaning faucets and showers:

- Only use cleaning materials which are explicitly intended for this type of application.
- Never use cleaning materials which contain hydrochloric, formic, phosphoric, or acetic acid, as they cause considerable damage.
- Never mix one cleaning material with another.
- Never use cleaning materials or appliances with an abrasive effect, such as unsuitable cleaning powders, sponge pads, or micro fiber cloths.

Cleaning Instructions for Faucets and Showers

Please follow the cleaning material manufacturer's instructions. In addition, pay attention to the following points:

- Clean the faucets and showers as and when required
- Use the amount of cleaning product and the amount of time recommended by the manufacturer. Do not leave the cleaner on the fixture longer than necessary.
- Regular cleaning can prevent calcification.
- When using spray cleaners, spray first onto a soft cloth or sponge. Never spray directly onto the faucet as droplets can enter openings and gaps and cause damage.
- After cleaning, rinse thoroughly with clean water to remove any cleaner residue.

Important

Residues of liquid soaps, shampoos, and shower foams can also cause damage, so rinse with clean water after using.

Please note: if the surface is already damaged, the effect of cleaning materials will cause further damage.

Components with damaged surfaces must be replaced or injury could result.

Damage caused by improper treatment is not covered under the warranty.

Limited Lifetime Consumer Warranty

This product has been manufactured and tested to the highest quality standards by Hansgrohe, Inc. ("Hansgrohe"). This warranty is limited to Hansgrohe products which are purchased by a consumer in the United States after March 1, 1996, and installed in either the United States or Canada.

WHO IS COVERED BY THE WARRANTY

This warranty extends to the original consumer purchaser only. This warranty is non-transferable.

WHAT IS COVERED BY THE WARRANTY

This warranty covers only your Hansgrohe manufactured product. Hansgrohe warrants this product against defects in material or workmanship as follows: Hansgrohe will repair at no charge for parts only or, at its option, replace any product or part of the product that proves defective because of improper workmanship and/or material, under normal installation, use, service and maintenance. If Hansgrohe is unable to provide a replacement and repair is not practical or cannot be timely made, Hansgrohe may elect to refund the purchase price in exchange for the return of the product.

LENGTH OF WARRANTY

Replacement or repaired parts of products will be covered for the term of this warranty as stated in the following two sentences. If you are a consumer who purchased the product for use primarily for personal, family, or household purposes, this warranty extends for as long as you own the product and the home in which the product is originally installed. If you purchased the product for use primarily for any other purpose, including, without limitation, a commercial purpose, this warranty extends only (i) for 1 year, with respect to Hansgrohe and Commercial products, and (ii) for 5 years, with respect to AXOR products.

THIS WARRANTY DOES NOT COVER, AND HANSGROHE WILL NOT PAY FOR:

- A. Conditions, malfunctions or damage not resulting from defects in material or workmanship.
- B. Conditions, malfunctions or damage resulting from (1) normal wear and tear, improper installation, improper maintenance, misuse, abuse, negligence, accident or alteration, or (2) the use of abrasive or caustic cleaning agents or "no-rinse" cleaning products, or the use of the product in any manner contrary to the product instructions. (3) Conditions in the home such as excessive water pressure or corrosion.
- C. Labor or other expenses for the disconnection, deinstallation, or return of the product for warranty service, or for installation or reinstallation of the product (including but not limited to proper packaging and shipping costs), or for installation or reinstallation of the product.
- D. Accessories, connected materials and products, or related products not manufactured by Hansgrohe.

TO OBTAIN WARRANTY PARTS OR INFORMATION

Contact your Hansgrohe retailer, or contact Technical Service at:

Hansgrohe Inc.
1492 Bluegrass Lakes Parkway
Alpharetta GA 30004
Toll-free (800) 334-0455.

In requesting warranty service, you will need to provide

1. The sales receipt or other evidence of the date and place of purchase.
2. A description of the problem.
3. Delivery of the product or the defective part, postage prepaid and carefully packed and insured, to Hansgrohe Inc. 1492 Bluegrass Lakes Parkway, Alpharetta, Georgia 30004, Attention: Technical Service, if required by Hansgrohe.

When warranty service is completed, any repaired or replacement product or part will be returned to you postage prepaid.

EXCLUSIONS AND LIMITATIONS

REPAIR OR REPLACEMENT (OR, IN LIMITED CIRCUMSTANCES, REFUND OF THE PURCHASE PRICE) AS PROVIDED UNDER THIS WARRANTY IS THE EXCLUSIVE REMEDY OF THE PURCHASER. HANSGROHE NEITHER ASSUMES NOR AUTHORIZES ANY PERSON TO CREATE FOR IT ANY OBLIGATION OR LIABILITY IN CONNECTION WITH THIS PRODUCT.

HANSGROHE SHALL NOT BE LIABLE TO PURCHASER OR ANY PERSON FOR ANY INCIDENTAL, SPECIAL, OR CONSEQUENTIAL DAMAGES, ARISING OUT OF BREACH OF THIS WARRANTY OR ANY IMPLIED WARRANTY (INCLUDING MERCHANTABILITY).

Some States do not allow the exclusion or limitation of incidental or consequential damages, so the above limitation or exclusion may not apply to you. This warranty gives you specific legal rights, and you may have other rights which vary from State to State. You may be required by law to give us a reasonable opportunity to correct or cure any failure to comply before you can bring any action in court against us under the Magnuson-Moss Warranty Act.

PRODUCT INSTRUCTIONS AND QUESTIONS

Upon purchase or prior to installation, please carefully inspect your Hansgrohe product for any damage or visible defect. Prior to installing, always carefully study the enclosed instructions on the proper installation and the care and maintenance of the product. If you have questions at any time about the use, installation, or performance of your Hansgrohe product, or this warranty, please call or write to us or call us toll-free at 800 334 0455.

hansgrohe

Hansgrohe, Inc. • 1490 Bluegrass Lakes Parkway • Alpharetta, GA 30004
Tel. 770-360-9880 • Fax 770-360-9887

www.hansgrohe-usa.com