

**AXOR Urquiola**  
**Axor Urquiola Freestanding Tub Filler Trim**  
 Finishes : **chrome** Part no. : **11422001**



### Description

#### Features

- Flow: 5.3 GPM
- Thermostatic cartridge, Shut-off/diverter valve
- Solid brass

#### Comprised of

- Axor Starck 2-Jet Handshower (#28532USA)
- Techniflex Hose with Cylindrical Nut, 49" (#28282XXX)

#### Required accessories

- Rough, Axor Starck Freestanding Tub Filler (#10452USA)

#### Optional accessories

- In-line Pressure Balance Valve (#13418USA)
- Axor Urquiola Freestanding Tub (#11440XXX)

### Item details

List Price \$ 3,480.00

### Technology



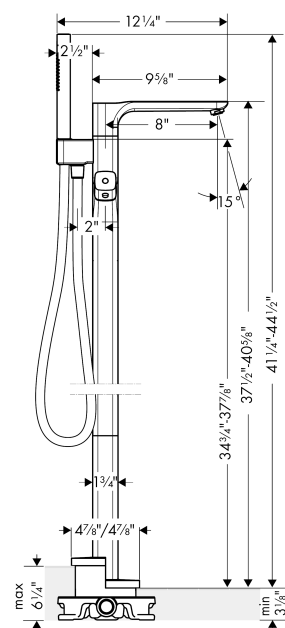
### Compliance



### Product image



### Scale drawing

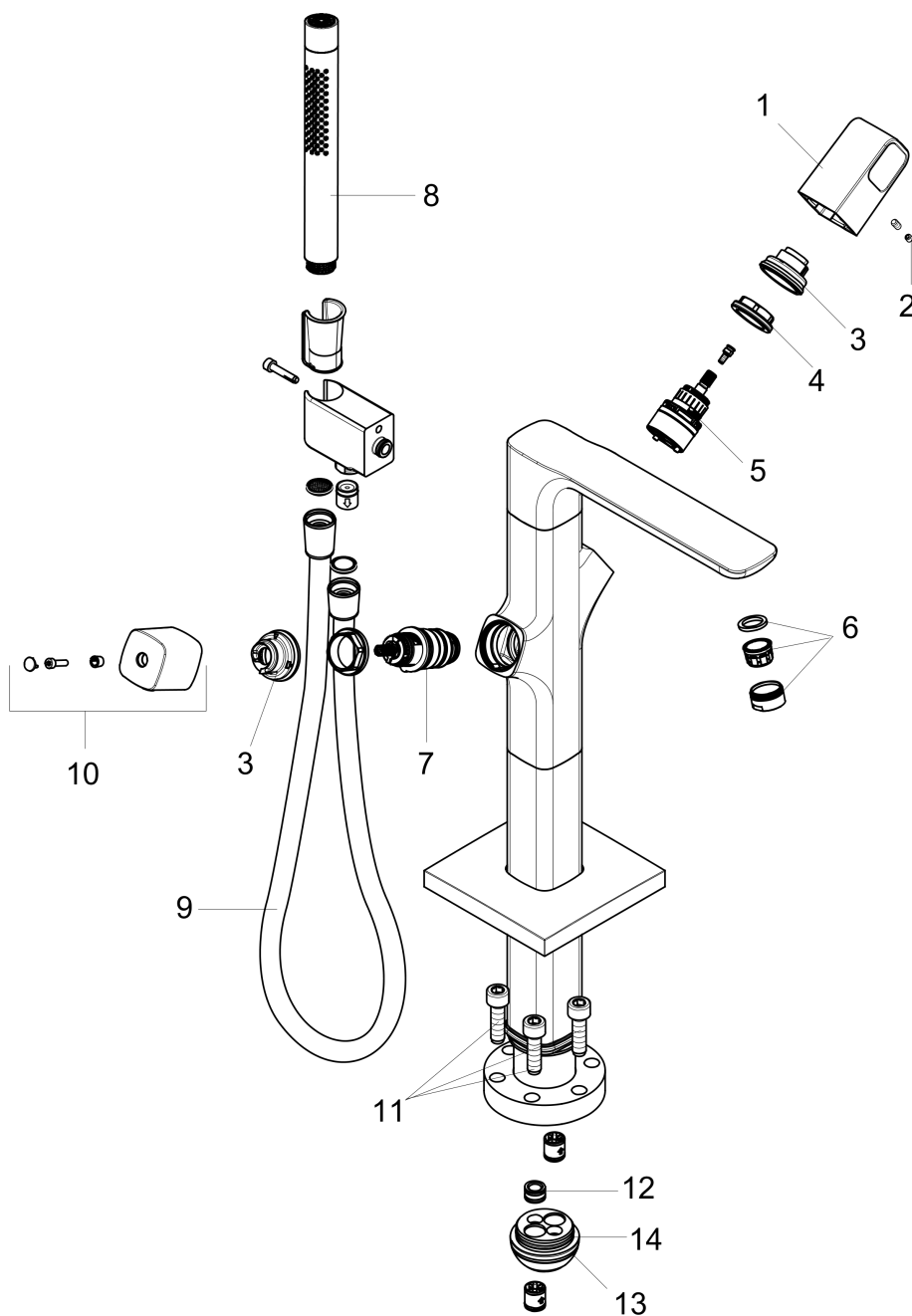


**AXOR Urquiola**  
**Axor Urquiola Freestanding Tub Filler Trim**  
Finishes : **chrome**    Part no. : **11422001**



## Exploded drawing

Year of production: >04/10



**AXOR Urquiola**  
**Axor Urquiola Freestanding Tub Filler Trim**  
 Finishes : **chrome**    Part no. : **11422001**



## Spare parts list

Year of production: >04/10

Pos.	Description	Part no.	Price	PU
1	handle	11491000	-	1
2	screw cover	95181000	-	1
3	safety set for temperature control	98916000	-	1
4	nut	98913000	-	1
5	shut off unit with selector	98283000	-	1
6	aerator M24x1 (30 l/min)	96512000	-	1
7	thermostat cartridge	98282001	-	1
8	handshower	28532001	-	1
9	shower hose 1,25 m	28282000	-	1
10	handle for thermostat	11492001	-	1
11	hexagon socket screw M10x35	97670000	-	1
12	O-ring 11x2	98127000	-	1
13	O-ring 44x2,5	98162000	-	1
14	O-Ring 36x2,5	98190000	-	1
a	set of non return valves DW 15	97350000	-	1
b	O-ring 29x3	98371000	-	1
c	seal	98058000	-	1
d	guide	92858000	-	1