

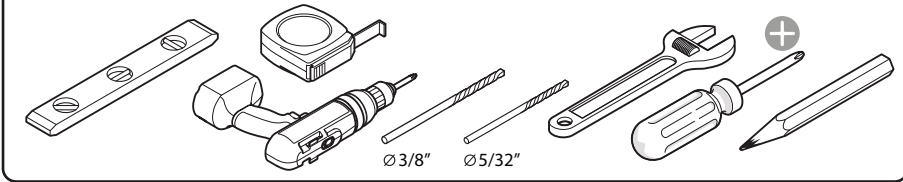
FMC8010(BE) / 8090(BE)

FRESCA 26" TALL BATHROOM MEDICINE CABINET

INSTALLATION GUIDE



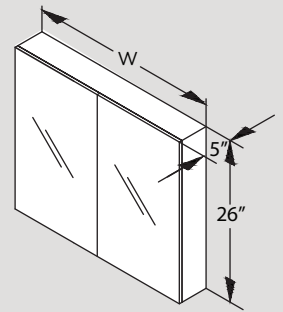
TOOLS REQUIRED FOR INSTALLATION:



DIMENSIONS

FMC 8010(BE)
W = 39-1/2"

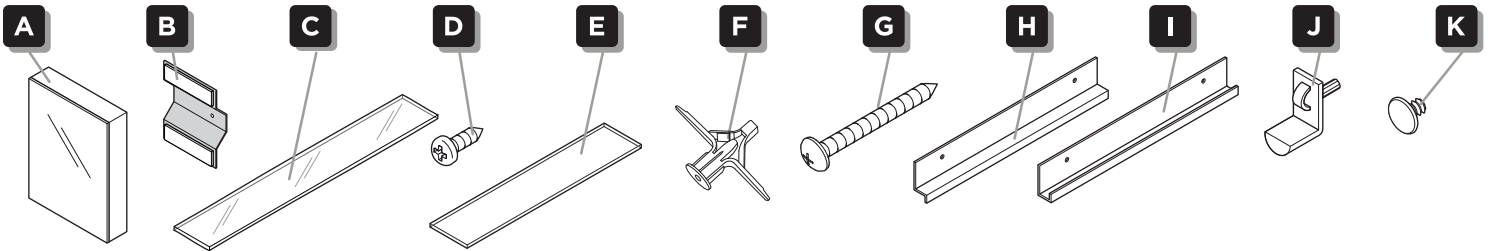
FMC 8090(BE)
W = 29-1/2"



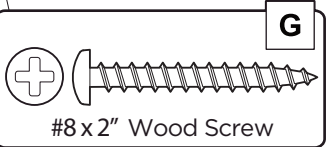
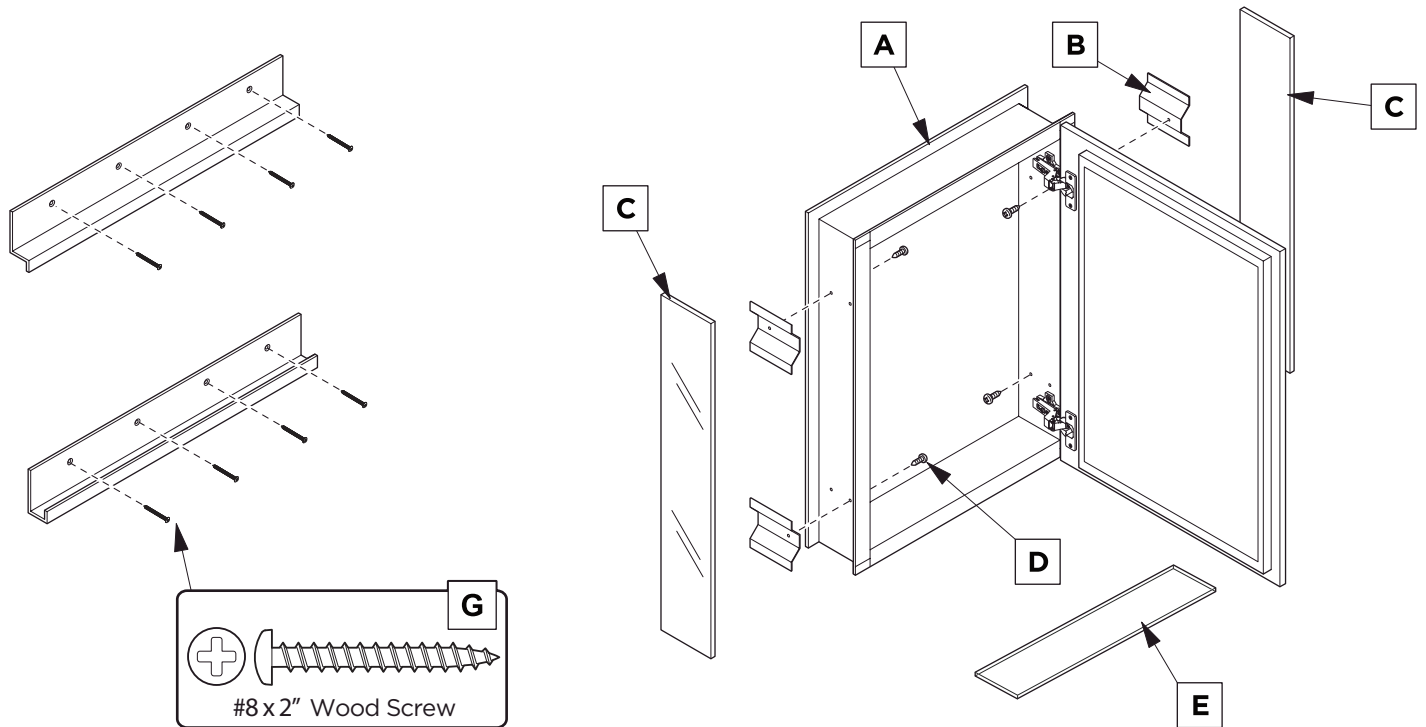
All dimensions & specifications are approximate and subject to change without notice.

INCLUDED IN THE PACKAGE:

- A. Medicine Cabinet
- B. Side Bracket (X4)
- C. Side Mirror (X2)
- D. Small Screw (X4)
- E. Glass Shelf (X2)
- F. Anchor (X8)
- G. Screw #8x2".....(X8)
- H. Top Mounting Bracket
- I. Bottom Mounting Bracket
- J. Snap-in Shelf Pin (X8)
- K. Hole Plug.....(X28)

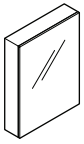


INCLUDED IN THE PACKAGE:



! ALL DIMENSIONS & SPECIFICATIONS ARE APPROXIMATE AND SUBJECT TO CHANGE WITHOUT NOTICE.

! TOP AND BOTTOM MOUNTING BRACKETS MUST ASSEMBLE TO AT LEAST 1 WALL STUD FOR SECURE WALL ATTACHMENT.

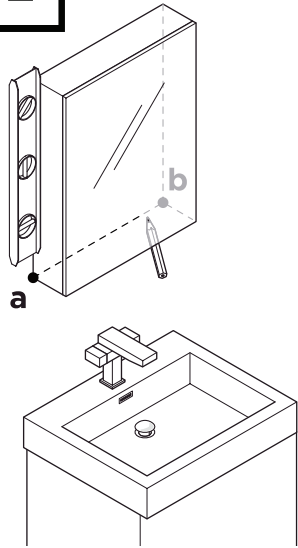


FMC8010(BE) / 8090(BE) MEDICINE CABINET INSTALLATION GUIDE



SURFACE-MOUNT INSTALLATION

1



Level and mark the medicine cabinet's location on the wall from point **a** to point **b**.

2

IMPORTANT:
Consult an expert for the proper screws/bolts to use when attaching to various constructions. Screws provided **do not** attach to all wall construction types. Anchors are not required for screws installed in studs.

IMPORTANT:
TOP AND BOTTOM MOUNTING BRACKETS MUST ASSEMBLE TO AT LEAST 2 WALL STUD FOR SECURE WALL ATTACHMENT.

IMPORTANT:
Using a stud finder mark the stud center on the bracket. Drill hole in bracket using 5/32" drill bit. Secure bracket to wall with screw G.

3

With assistance, rest the medicine cabinet on the bottom mounting bracket and hold it in place.

4

IMPORTANT:
TOP AND BOTTOM MOUNTING BRACKETS MUST ASSEMBLE TO AT LEAST 2 WALL STUD FOR SECURE WALL ATTACHMENT.

IMPORTANT:
Using a stud finder mark the stud center on the bracket. Drill hole in bracket using 5/32" drill bit. Secure bracket to wall with screw G.

Hold the medicine cabinet (A) while it's placed on the bottom bracket, then secure by fitting the top bracket (H) on top of the medicine cabinet, and attach the top bracket (H) to the wall.

5

Align mirrored side panels (C) to each side of the medicine cabinet.

6

Attach mirrored side panels to the medicine cabinet using a screwdriver and provided screws (D).

7

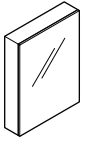
Push and twist the snap-in pins (J) into place.

8

Fill remaining holes with the plugs (K).

9

Push a side of the shelf (E) into left or right pins (J).
Snap the shelf (E) down into the opposite side.

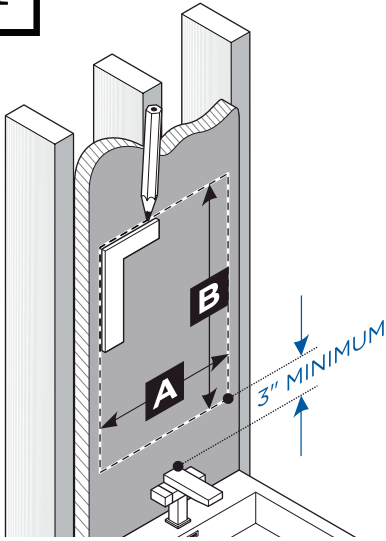


FMC8010(BE) / 8090(BE) MEDICINE CABINET INSTALLATION GUIDE



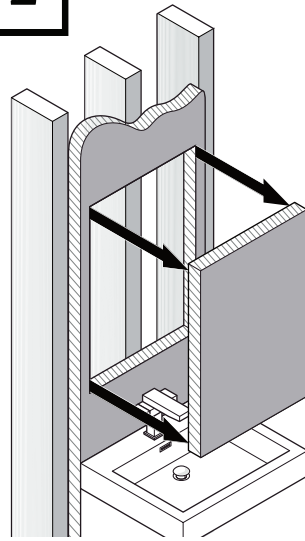
RECESS-MOUNT INSTALLATION

1



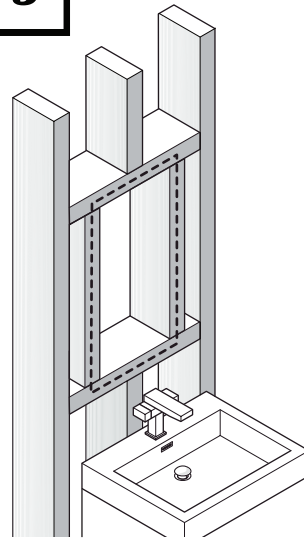
Draw the perimeter of the medicine cabinet on the wall.

2



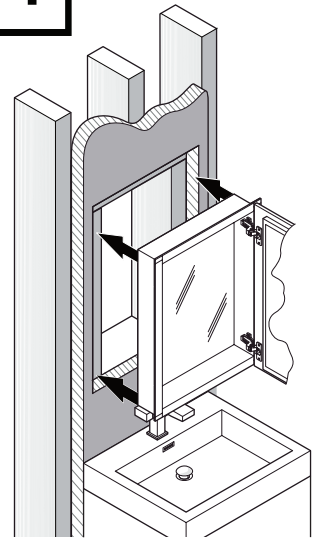
Cut the marked perimeter with appropriate tool.

3



Frame the cutout opening.

4

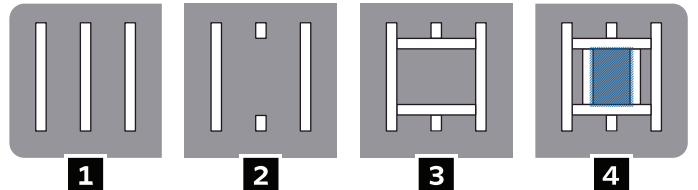


Place and hold the medicine cabinet in the cutout opening.

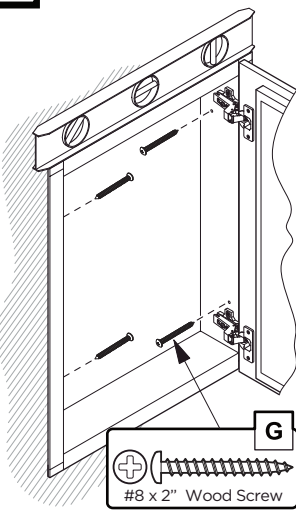
ROUGH IN DIMENSIONS

Model SKU	Width A	Height B	Depth
FMC8010(BE)	W 38-3/4"	H 25-3/8"	4"
FMC8090(BE)	W 28-7/8"	H 25-3/8"	4"

4 STEPS TO FRAME THE CUTOUT OPENING

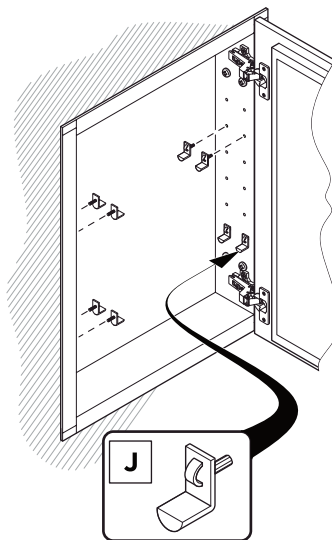


5



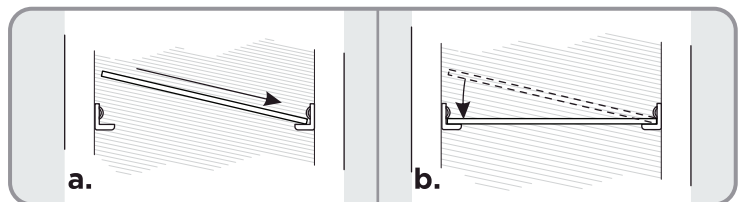
Level, then secure the medicine cabinet with the screws (G) through the mounting holes into the framing studs.

6



Choose the position for your shelves then push and twist the snap-in pins (J) into place.

7



- Push a side of the glass shelf (C) into left or right pins (J).
- Snap the glass shelf (C) into the opposite side.
- Fill remaining holes with the plugs (K).

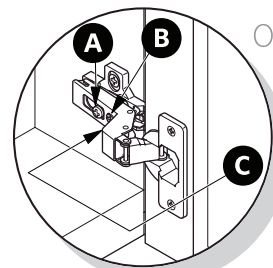


Illustration A.

OPTIONAL DOOR ADJUSTMENT:

- A** This screw allow you to adjust pitch side to side.
- B** This screw releases cabinet's door and allows up and down adjustment.
- C** This screw allow you to adjust the gap between doors.