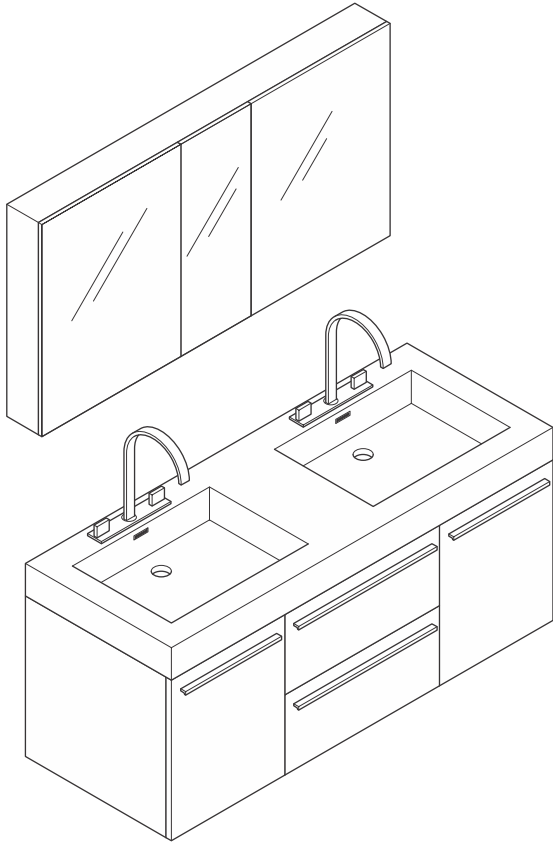
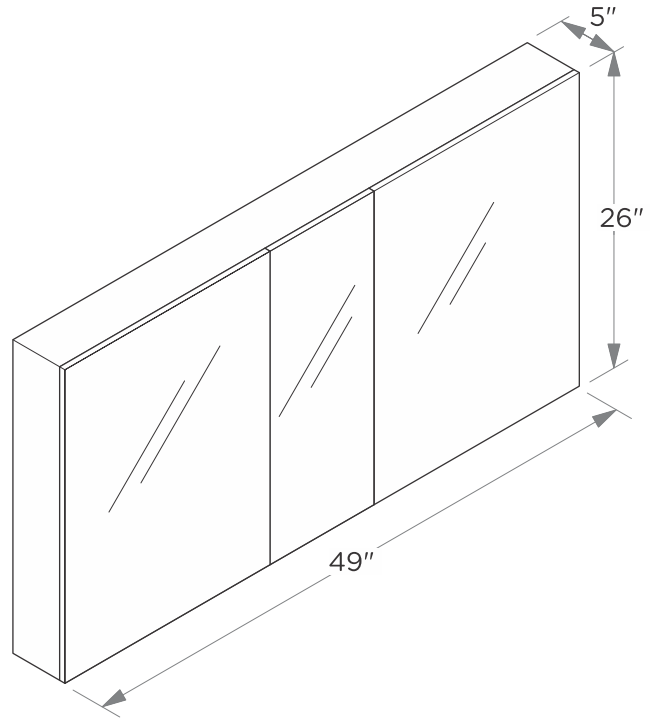


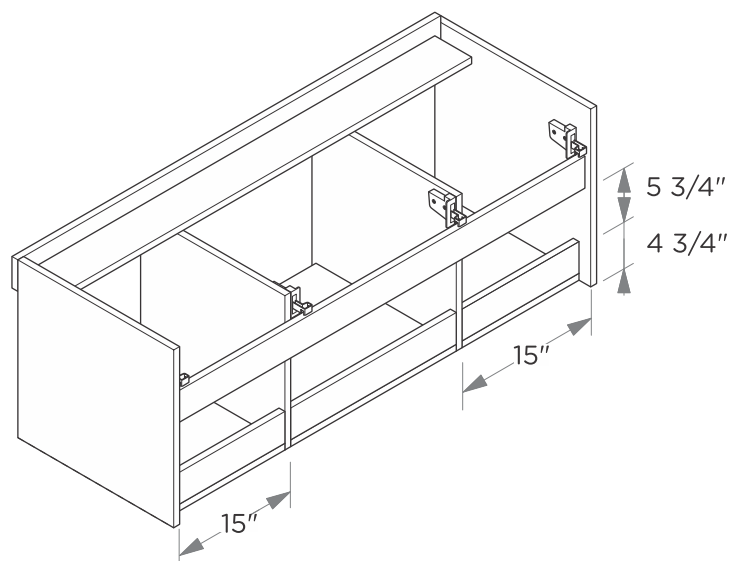
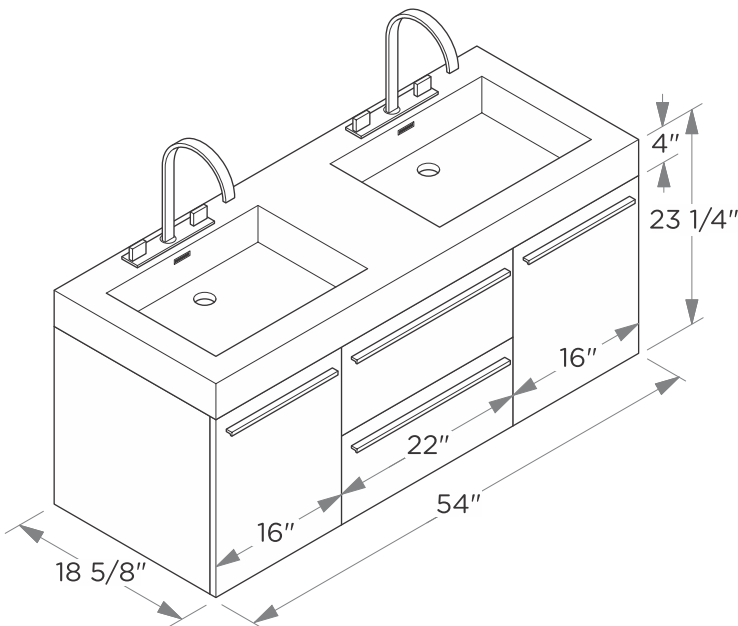
FVN8013
OPULENTO
INSTALLATION GUIDE



VANITY ENSEMBLE
 front view

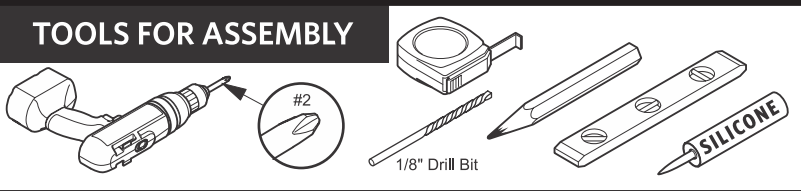


MEDICINE CABINET
 front view

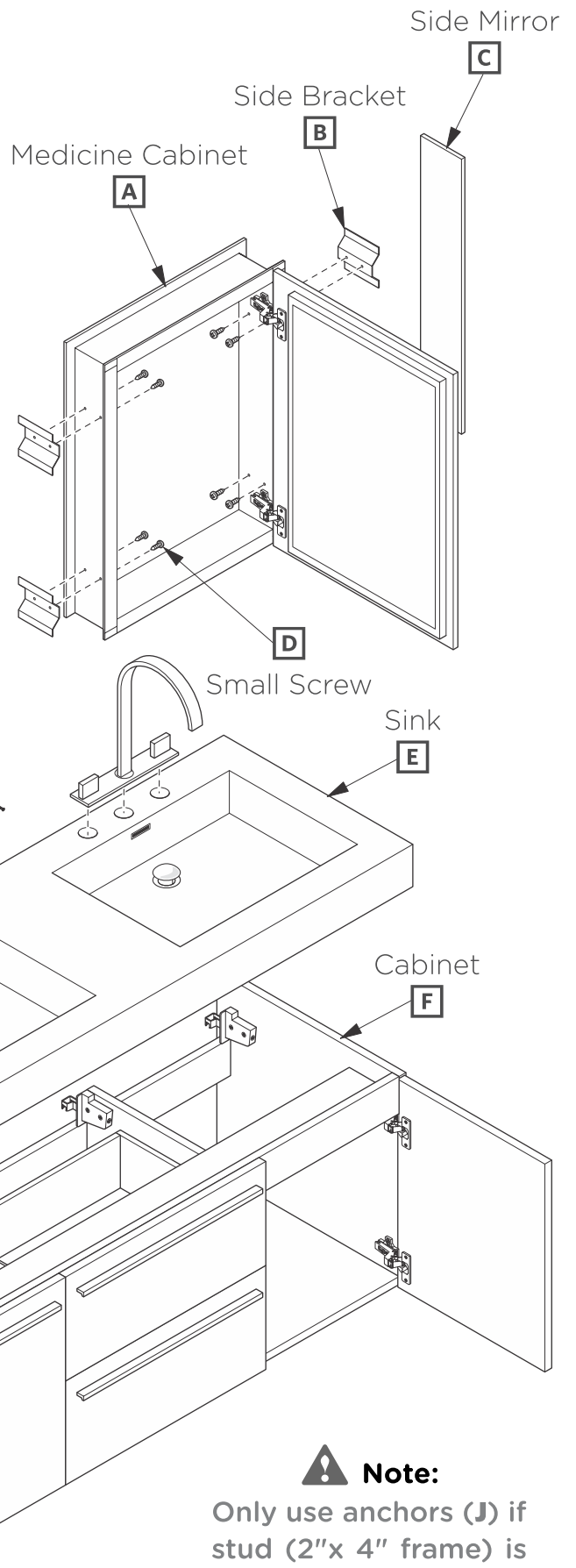
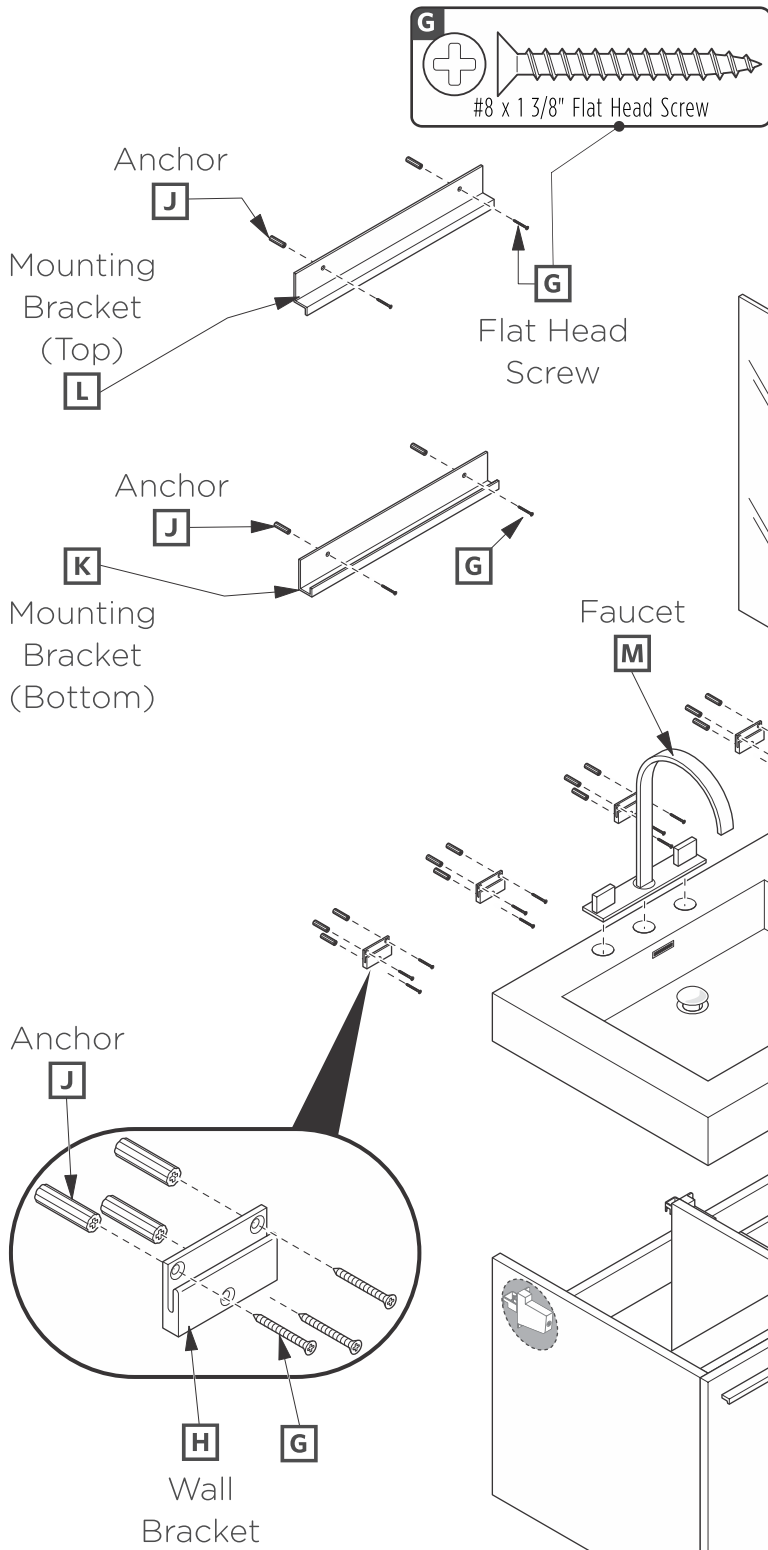


 ALL DIMENSIONS & SPECIFICATIONS ARE APPROXIMATE AND SUBJECT TO CHANGE WITHOUT NOTICE.

TOOLS FOR ASSEMBLY



PARTS

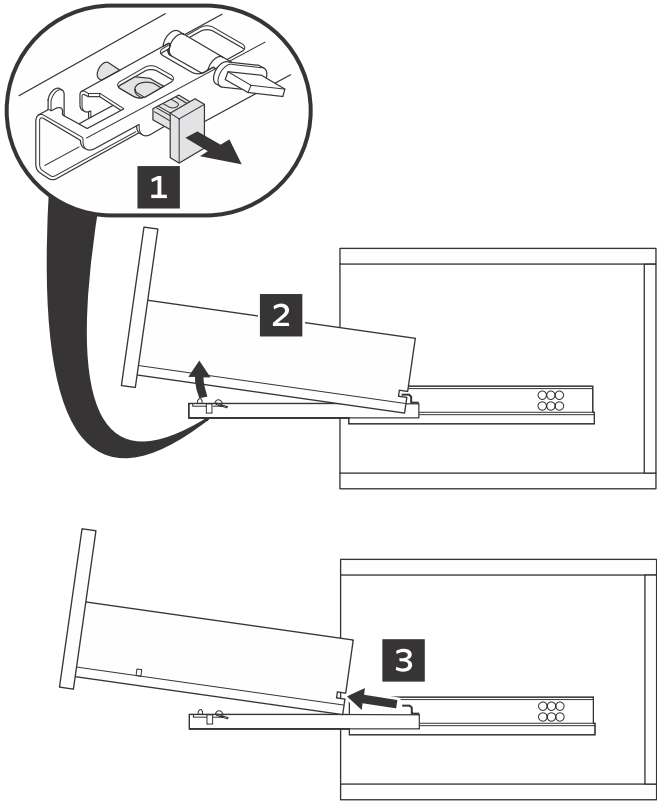


Note:
Only use anchors (J) if stud (2"x 4" frame) is not available.

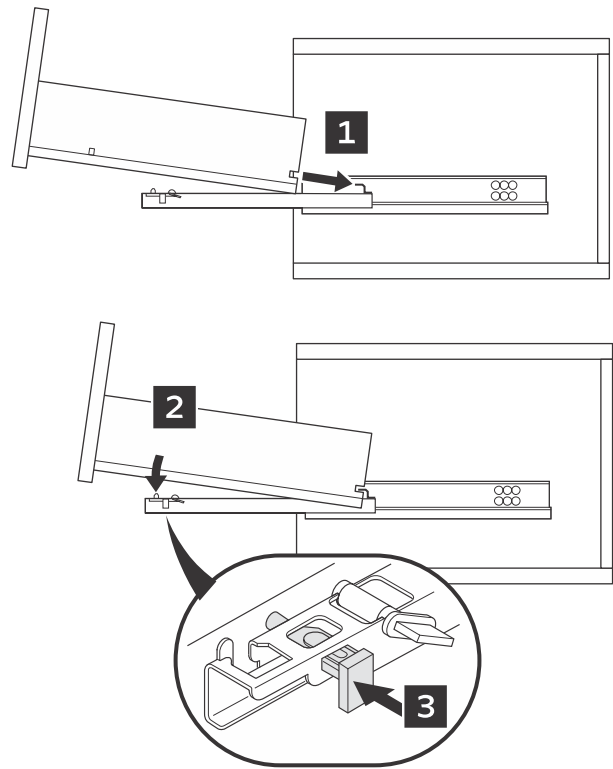


DRAWER REMOVAL & INSTALLATION

REMOVAL

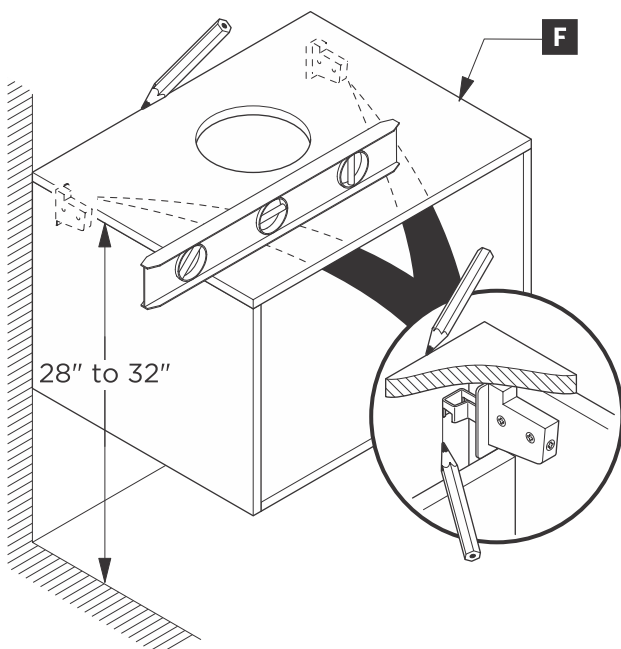
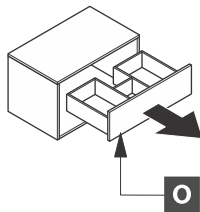


INSTALLATION

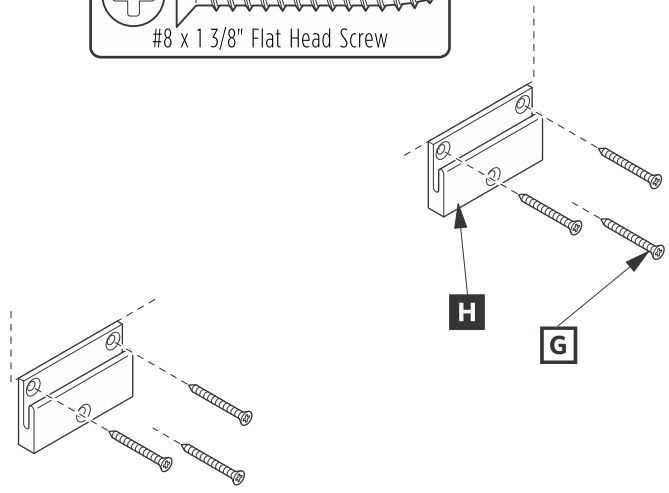
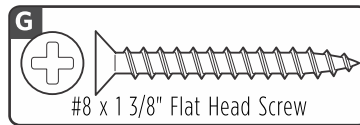


1. Remove a drawer (O).

2. Locate a cabinet (F) & mark location.



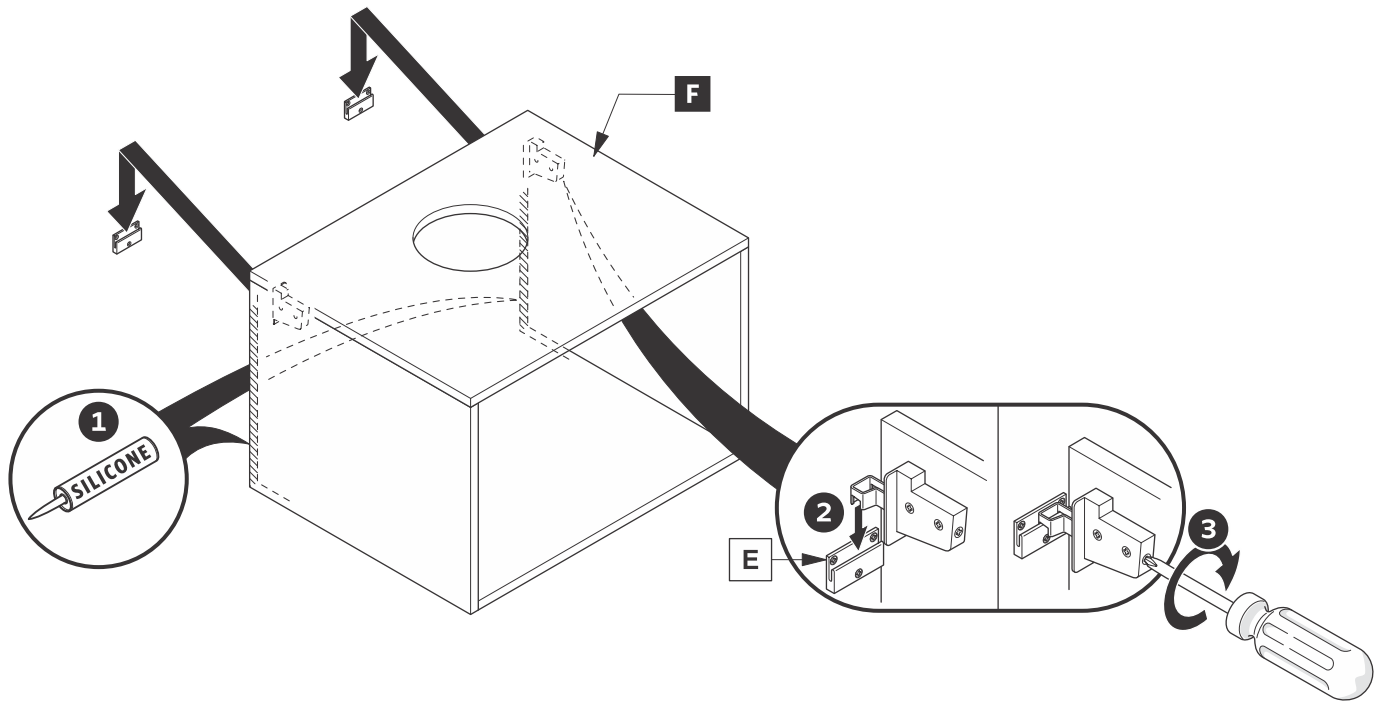
3. Install wall brackets (H).



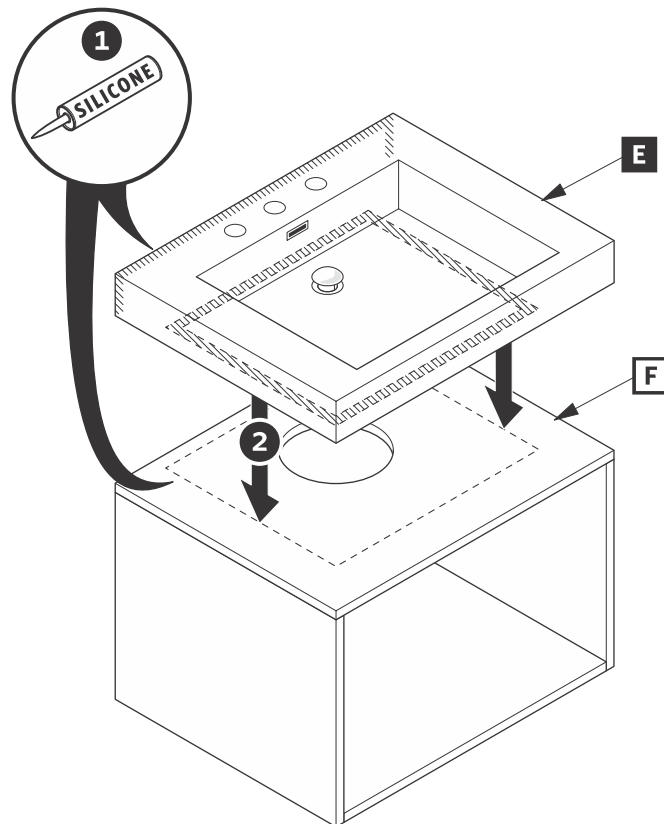
CONSULT AN EXPERT FOR THE PROPER SCREWS/BOLTS TO USE WHEN ATTACHING TO VARIOUS WALL CONSTRUCTIONS. SCREWS PROVIDED DO NOT ATTACH TO ALL WALL CONSTRUCTION TYPES.



4. Apply silicone and install a cabinet (F).

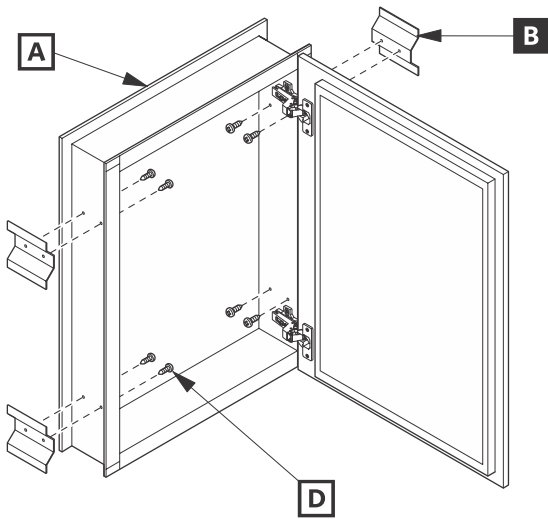


5. Apply silicone and place a sink (E) on the cabinet (F).

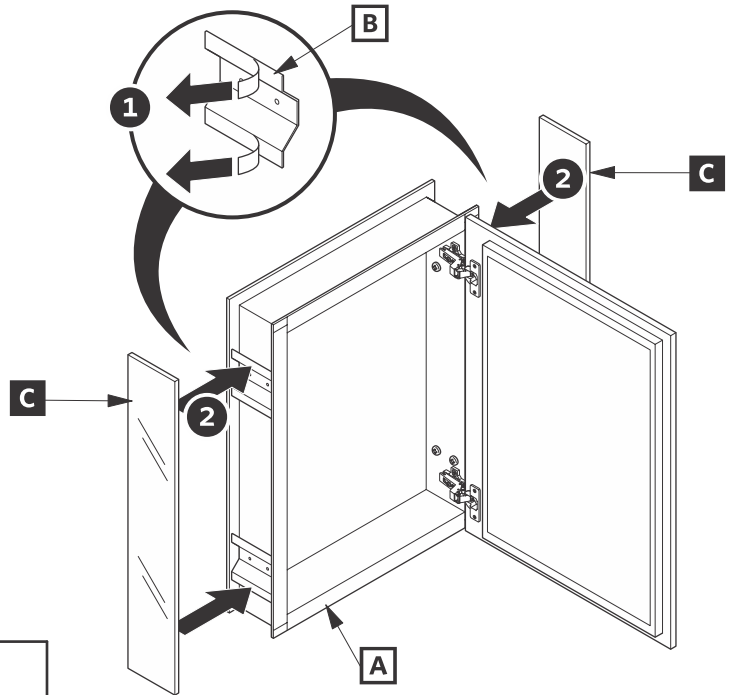


MEDICINE CABINET INSTALLATION

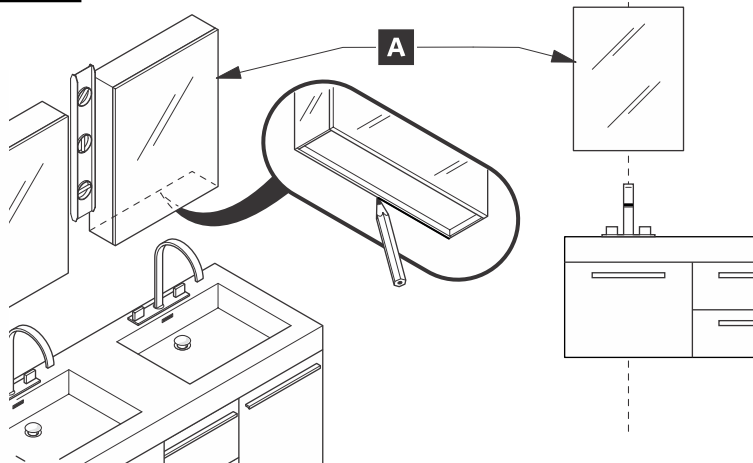
1. Install side brackets (B).



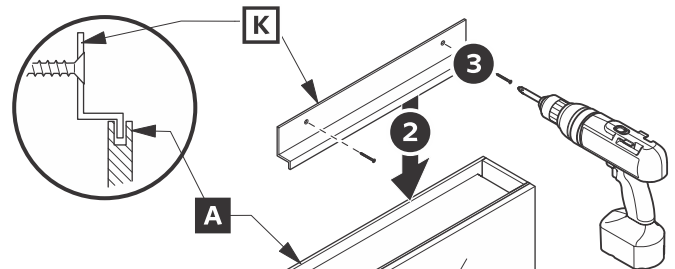
2. Install side mirrors (C).



3. Mark cabinet's (A) location.

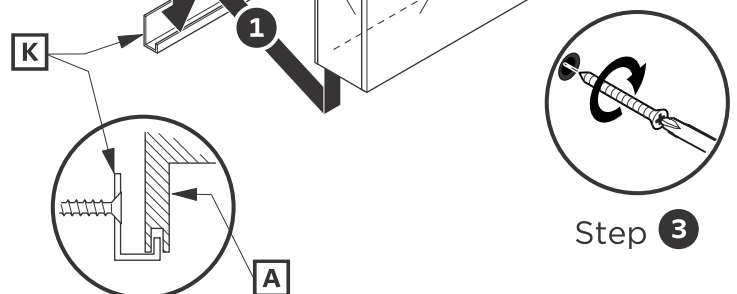
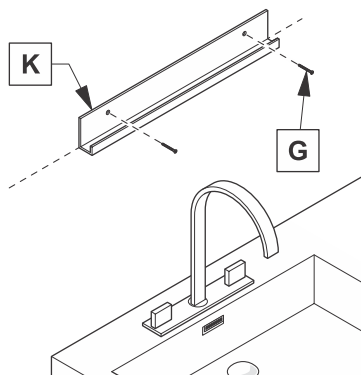
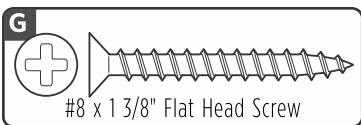


5. Place medicine cabinet (A) on the bottom bracket (K) then secure it with a top bracket (L). Hold the cabinet firmly for Step 2 & 3.



4. Attach a bottom bracket (K) to the wall.

CONSULT AN EXPERT FOR THE PROPER SCREWS/BOLTS TO USE WHEN ATTACHING TO VARIOUS WALL CONSTRUCTIONS. SCREWS PROVIDED DO NOT ATTACH TO ALL WALL CONSTRUCTION TYPES.



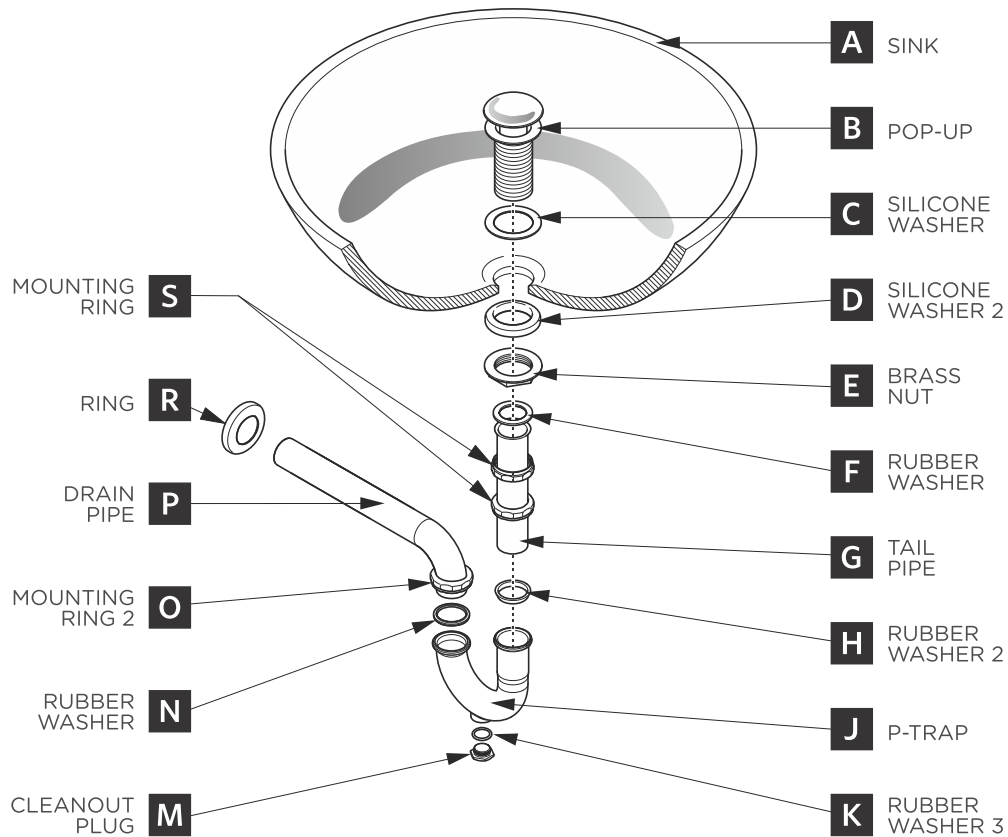
Step 3



P-TRAP & POP-UP

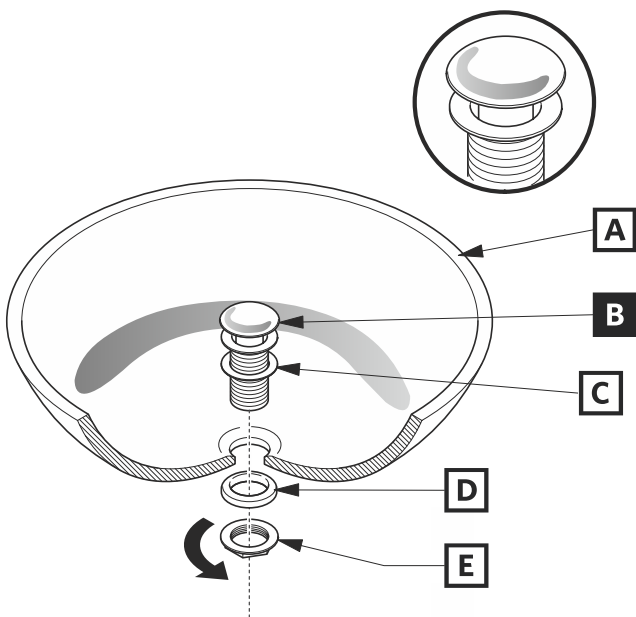
INSTALLATION INSTRUCTIONS

Your item may appear slightly different from the illustration.



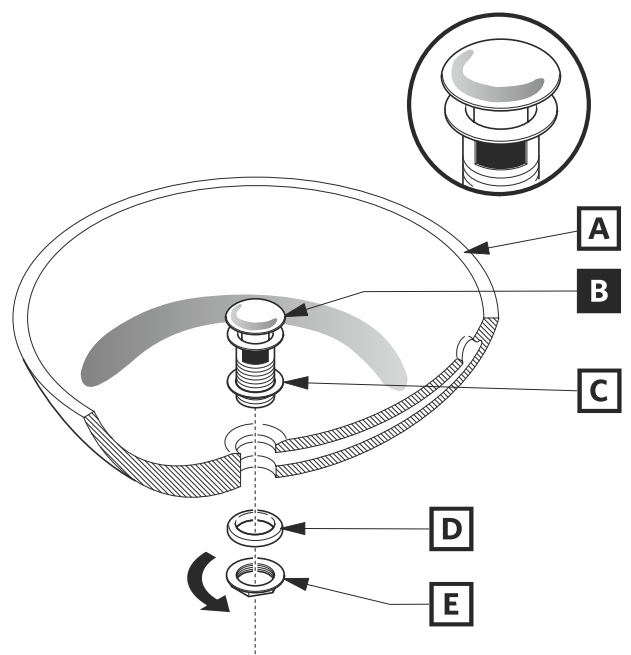
POP-UP INSTALLATION

FOR SINKS WITHOUT OVERFLOW



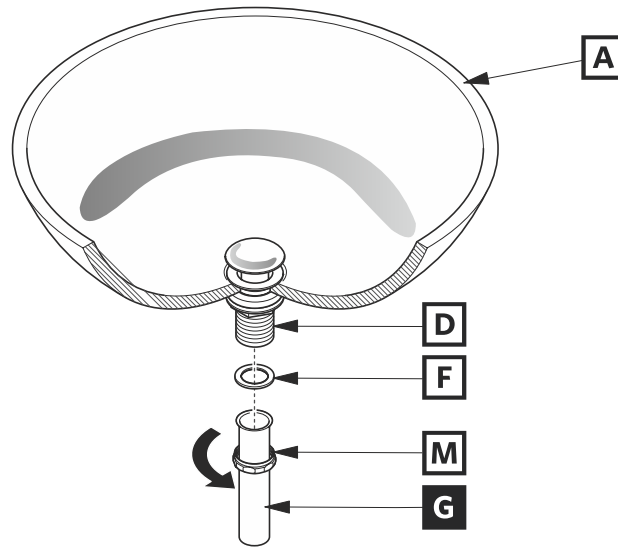
OR

FOR SINKS WITH OVERFLOW



P-TRAP INSTALLATION

1. Install tail pipe (G)



2. Install P-trap (J)

