



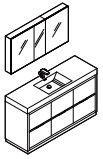
FVN8460

VALENCIA

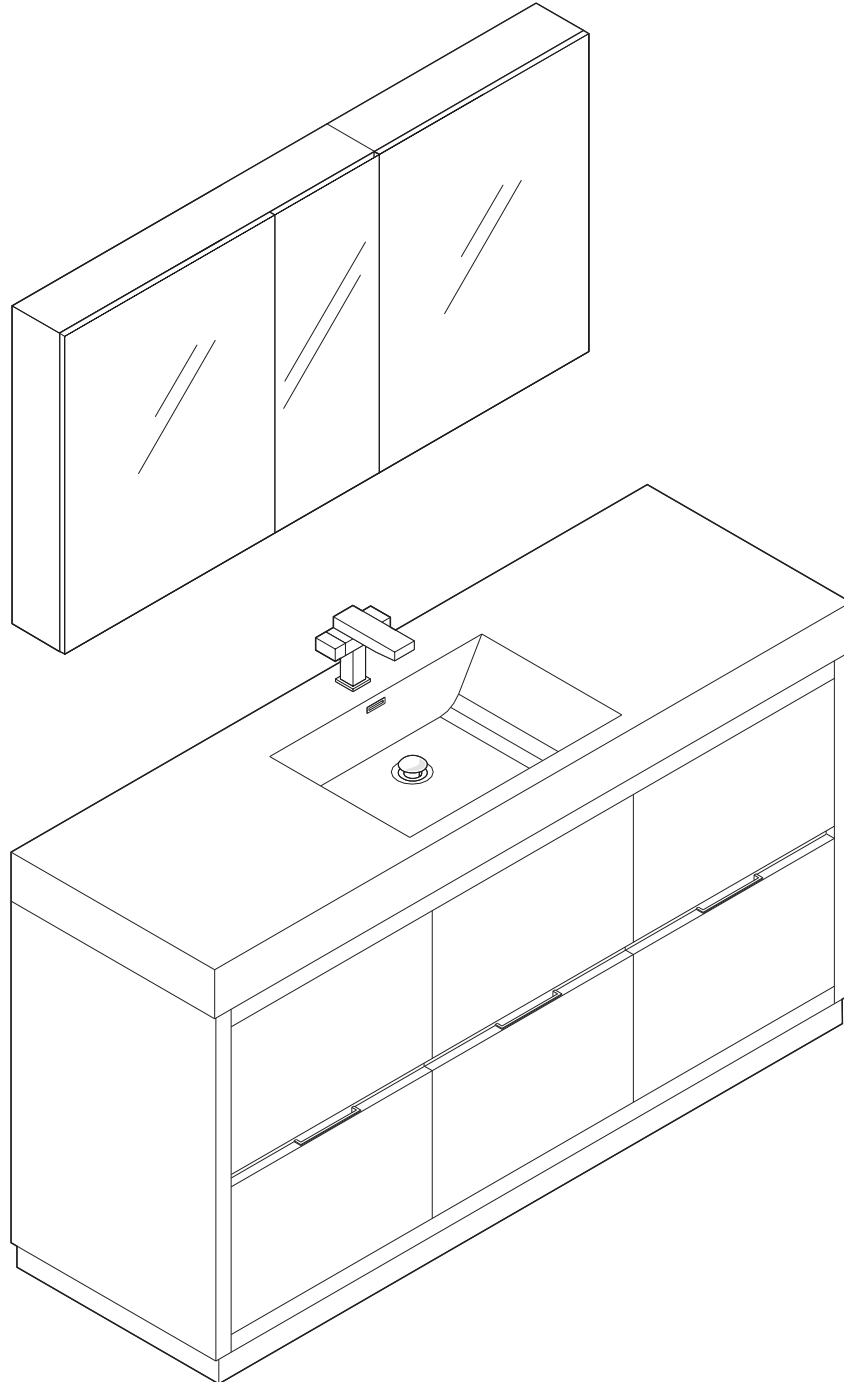
INSTALLATION GUIDE

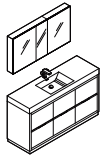
CONTENTS:

Cabinet.....	(FCB8460).....	PAGE 6
Sink.....	(FVS8041WH).....	PAGE 6
Medicine Cabinet.....	(FMC8013).....	PAGE 4



FVN8460 VALENCIA INSTALLATION GUIDE

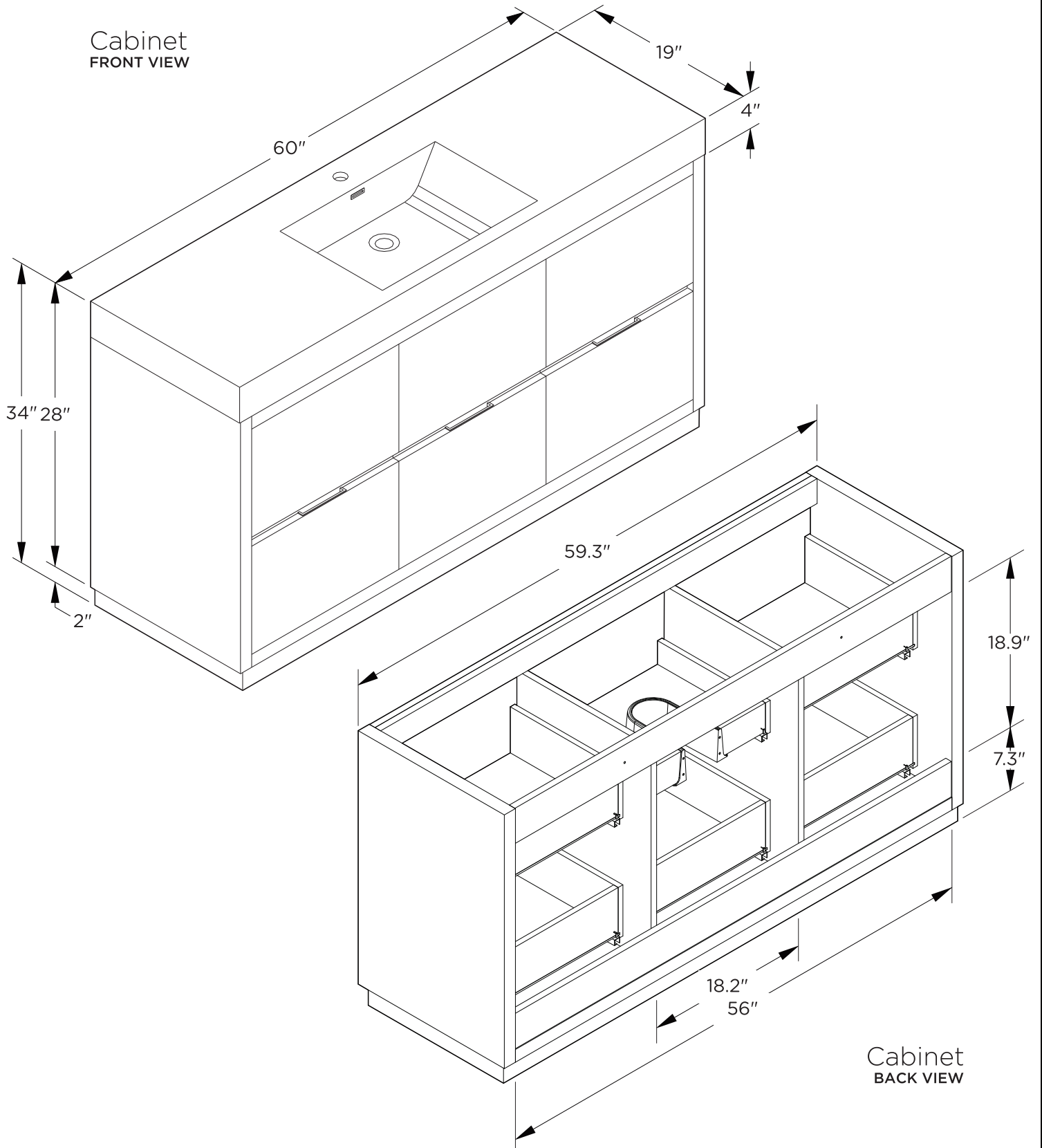




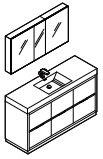
FVN8460 VALENCIA INSTALLATION GUIDE



DIMENSIONS OF THE CABINET



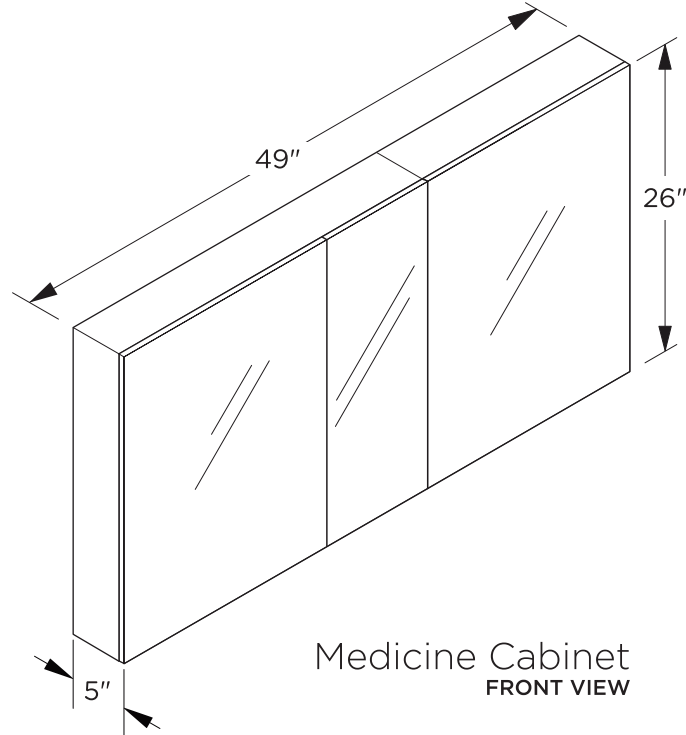
NOTE: ALL DIMENSIONS & SPECIFICATIONS ARE APPROXIMATE AND SUBJECT TO CHANGE WITHOUT NOTICE.



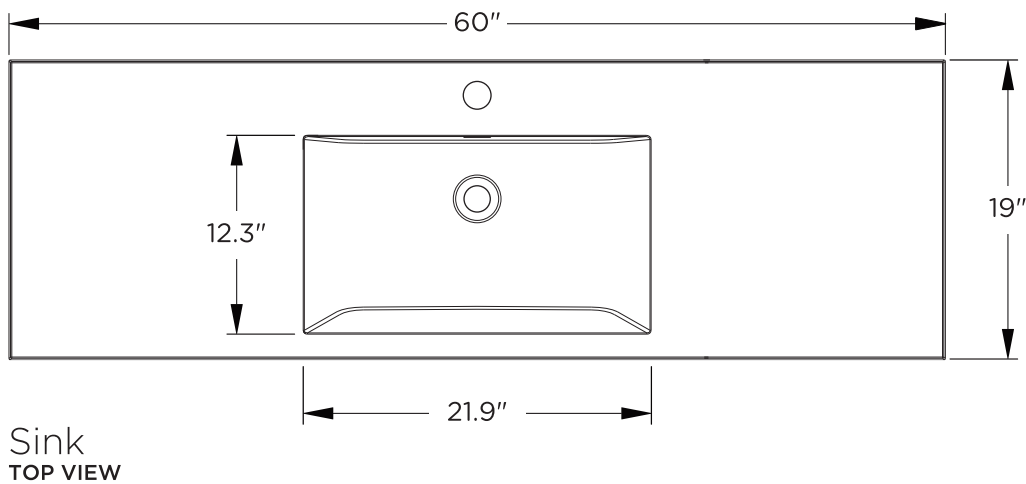
FVN8460 VALENCIA INSTALLATION GUIDE



DIMENSIONS OF THE MEDICINE CABINET



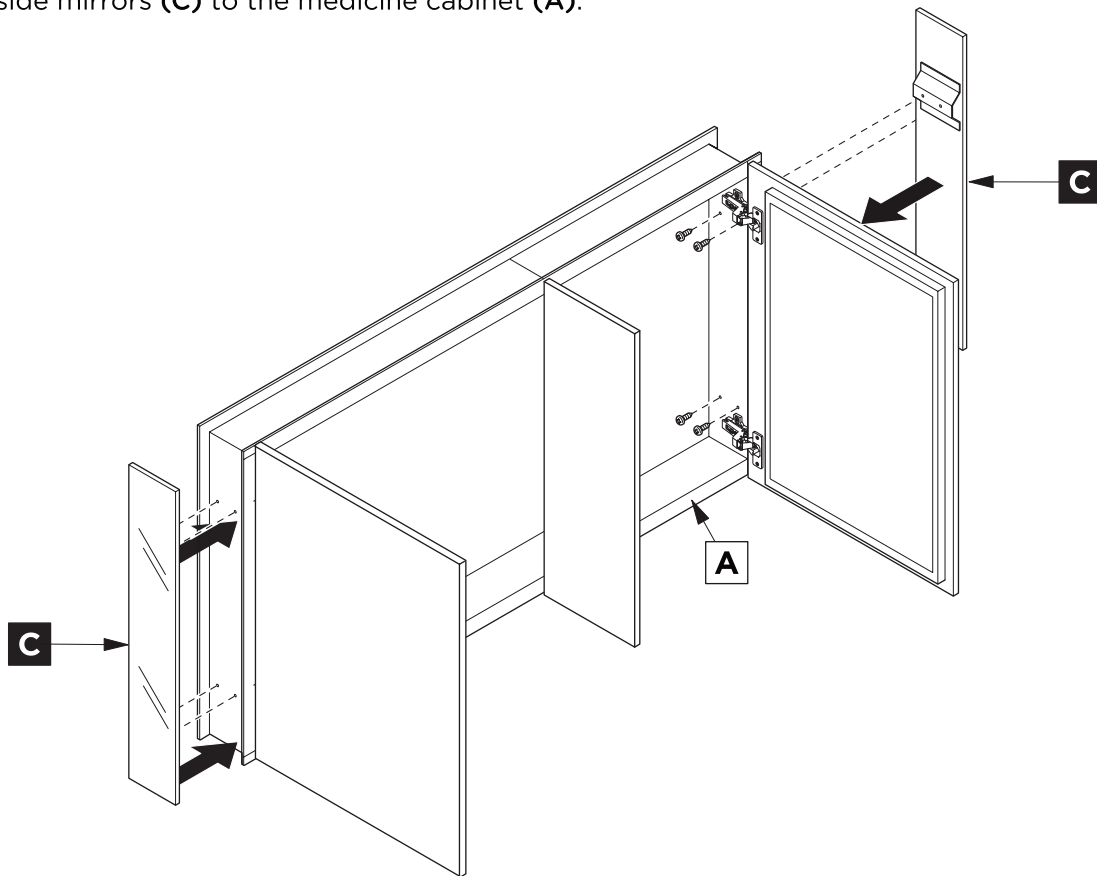
DIMENSIONS OF THE SINK



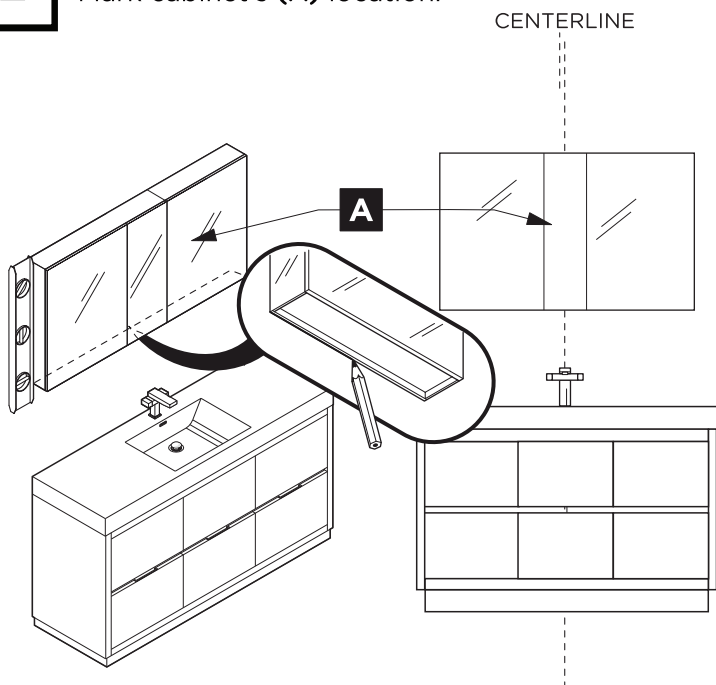
NOTE: ALL DIMENSIONS & SPECIFICATIONS ARE APPROXIMATE AND SUBJECT TO CHANGE WITHOUT NOTICE.

MEDICINE CABINET INSTALLATION

1 Attach side mirrors (C) to the medicine cabinet (A).

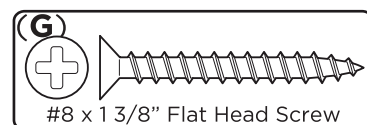
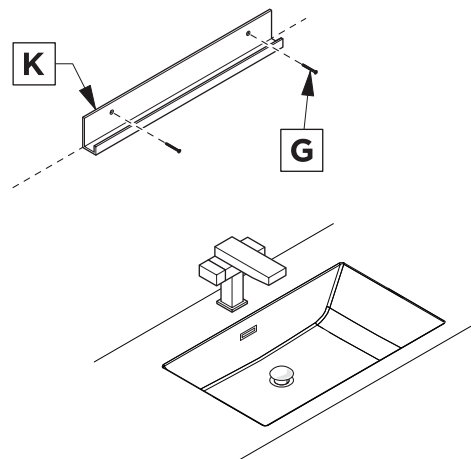


2 Mark cabinet's (A) location.



3 Install a bottom bracket (K).

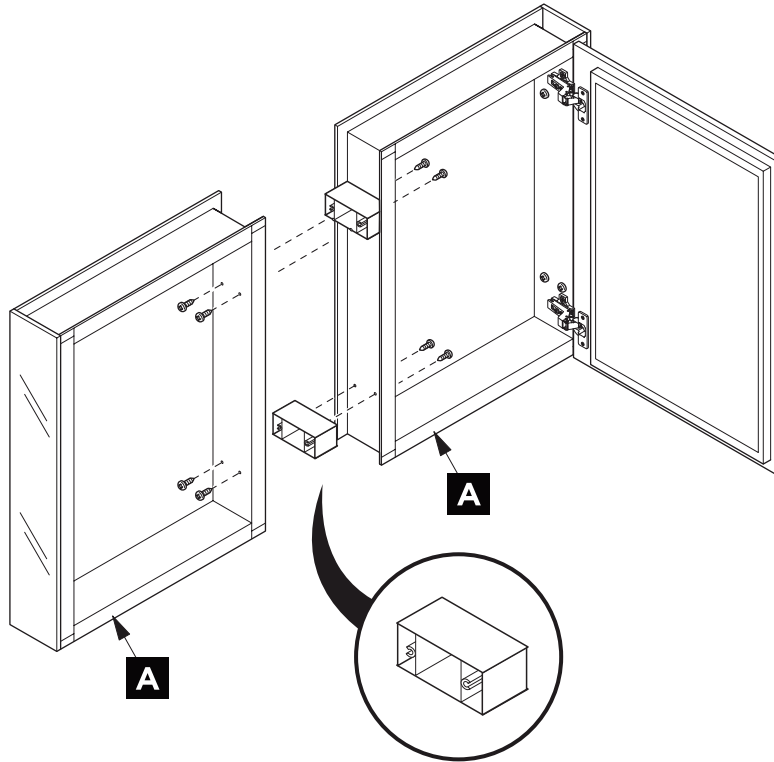
IMPORTANT: Consult an expert for the proper screws/bolts to use when attaching to various constructions. Screws provided do not attach to all wall construction types. Anchors are not required if brackets are installed in stud.



MEDICINE CABINET INSTALLATION

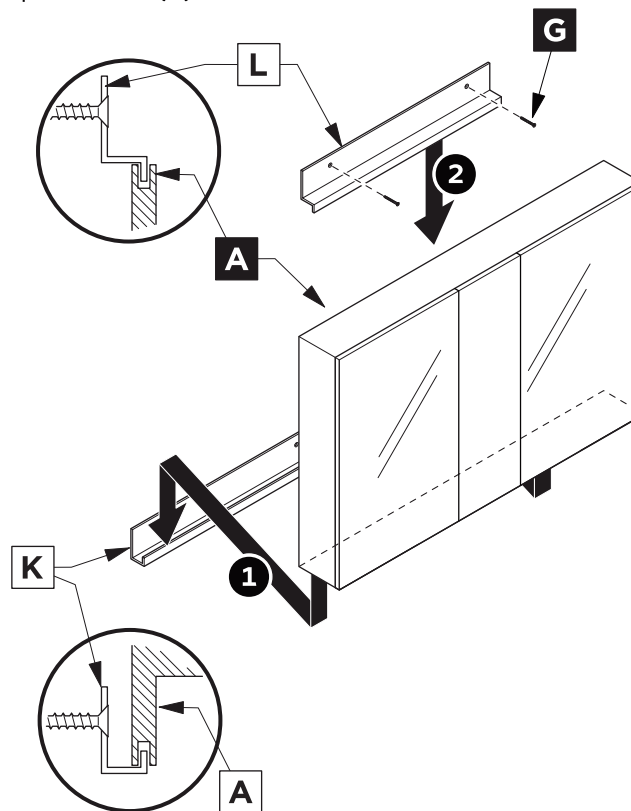
4

Join cabinets (A) together.



4

* Place cabinet (A) on the bottom bracket (K) and secure it with a top bracket (L).

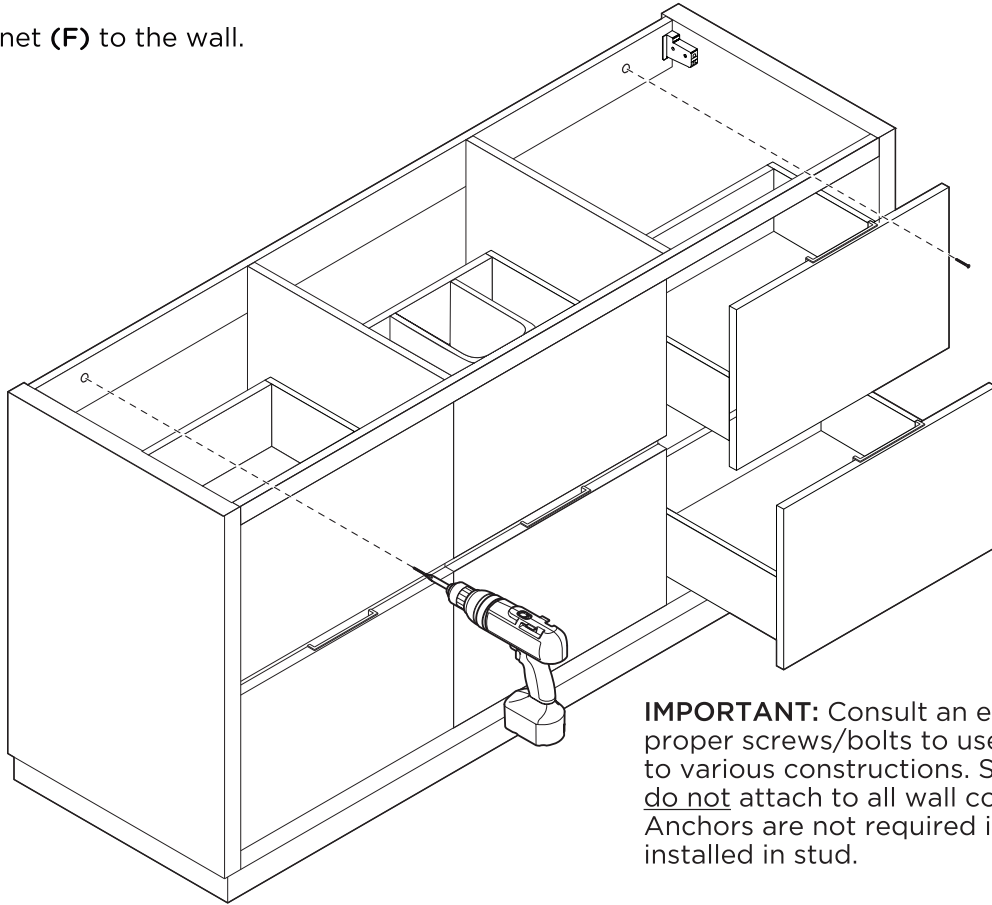


*This step requires assistance to hold cabinet in place until top bracket is securely attached.

CABINET INSTALLATION

1

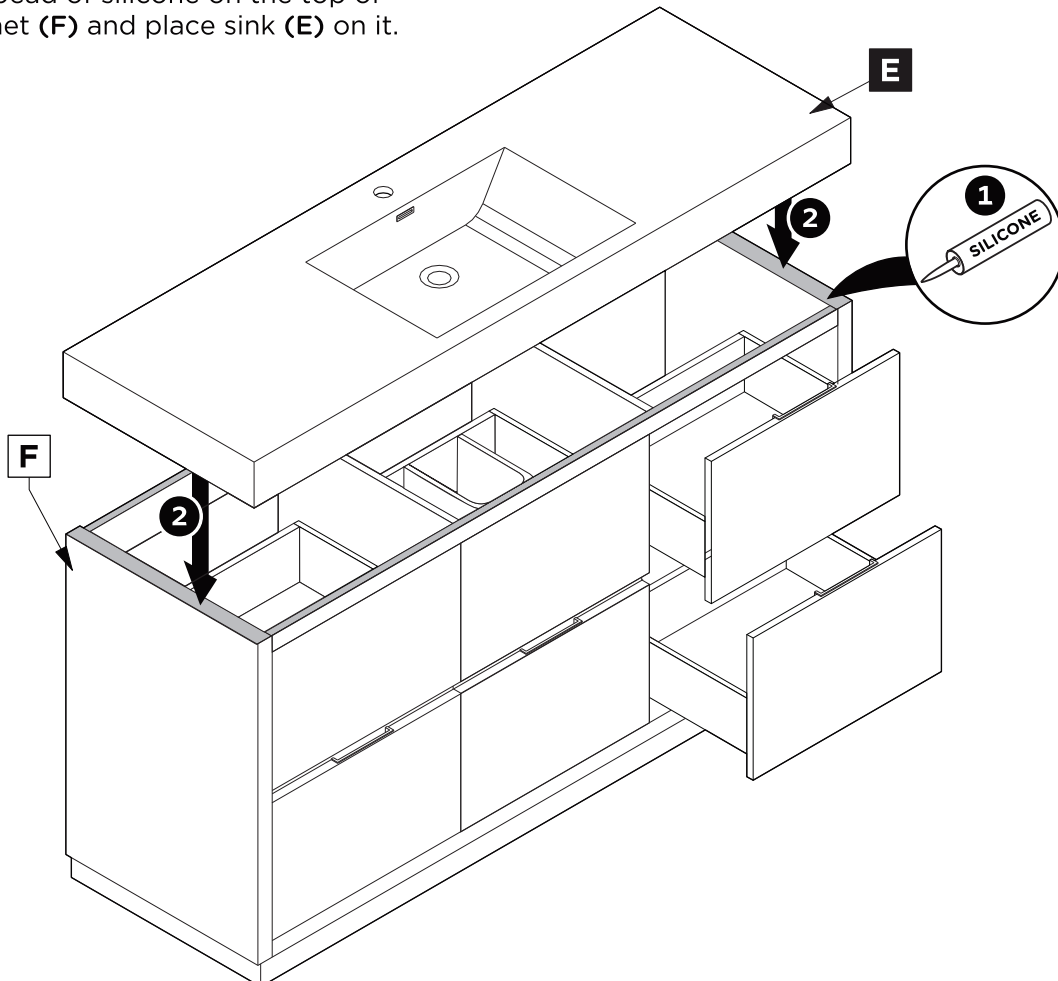
Attach cabinet (F) to the wall.



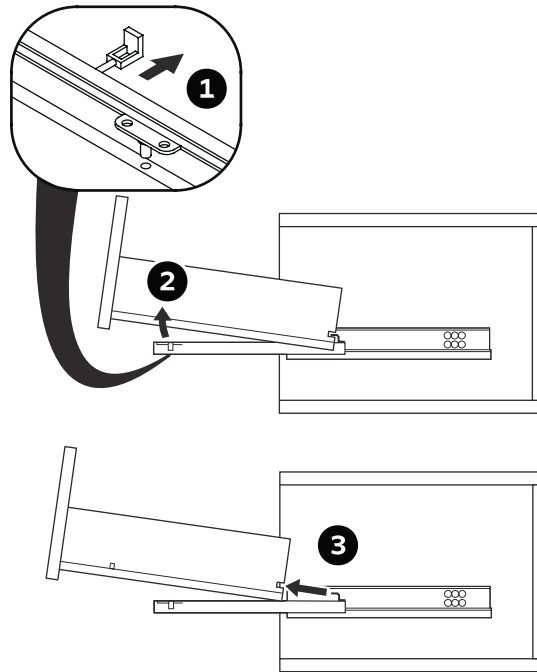
IMPORTANT: Consult an expert for the proper screws/bolts to use when attaching to various constructions. Screws provided do not attach to all wall construction types. Anchors are not required if brackets are installed in stud.

2

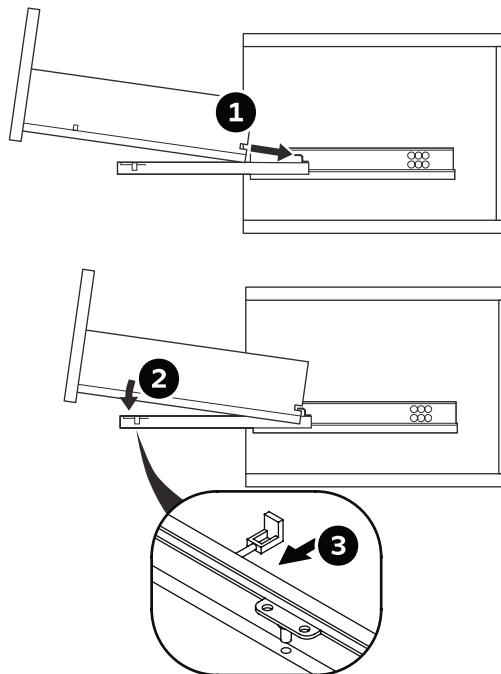
Apply a bead of silicone on the top of the cabinet (F) and place sink (E) on it.



DRAWER REMOVAL

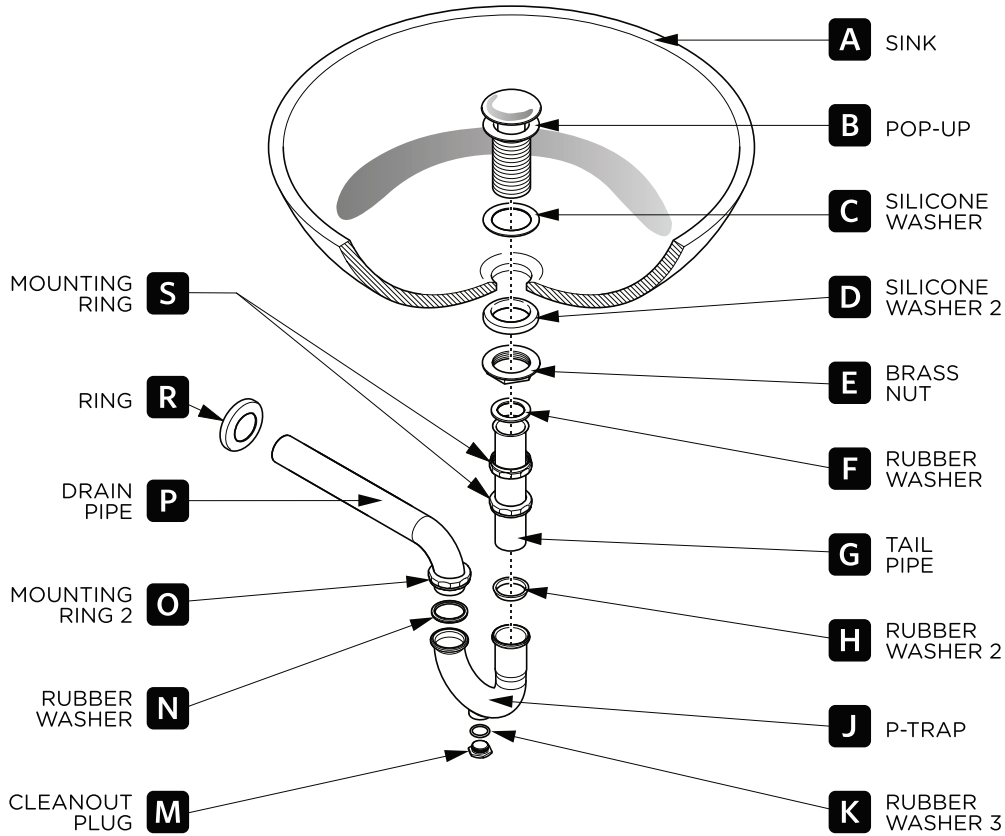


DRAWER INSTALLATION



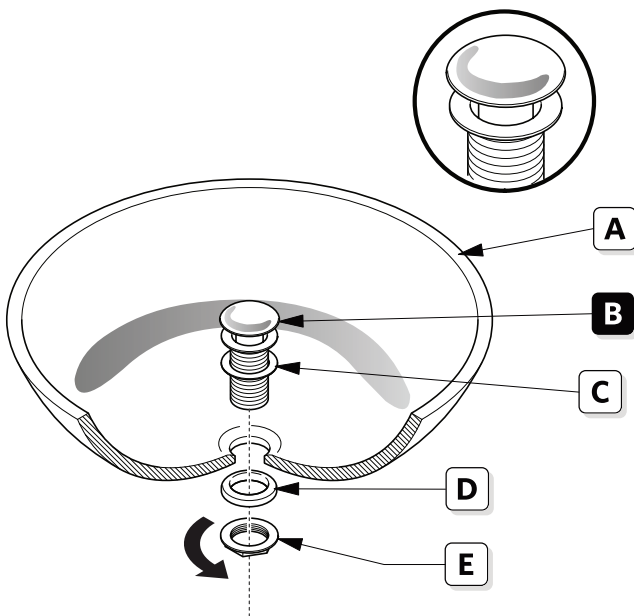
P-TRAP & POP-UP INSTALLATION INSTRUCTIONS

Your item may appear slightly different from the illustration.



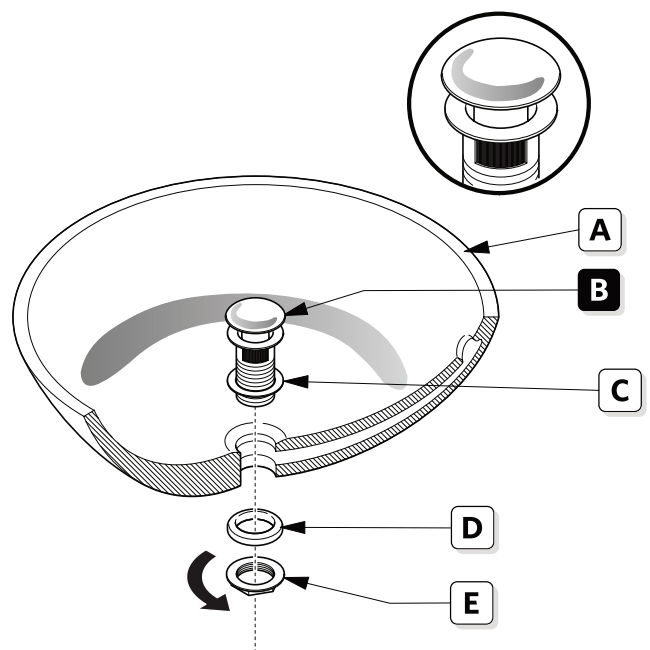
POP-UP INSTALLATION INSTRUCTIONS

FOR SINKS WITHOUT OVERFLOW



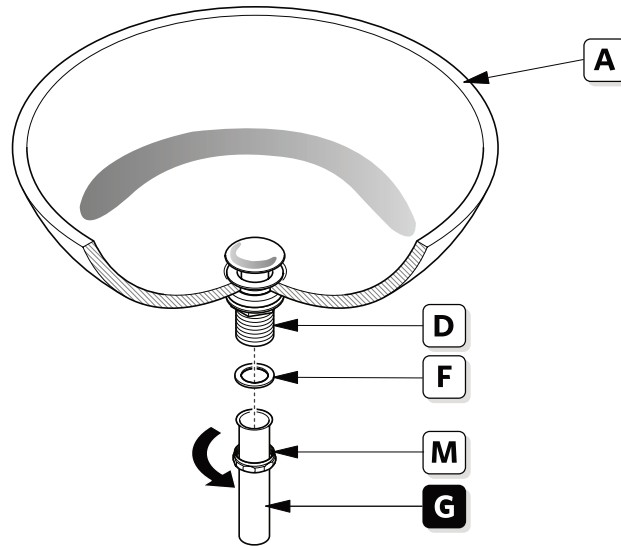
OR

FOR SINKS WITH OVERFLOW



P-TRAP INSTALLATION

1 Install Tail Pipe (G).



2 Install P-Trap (J).

