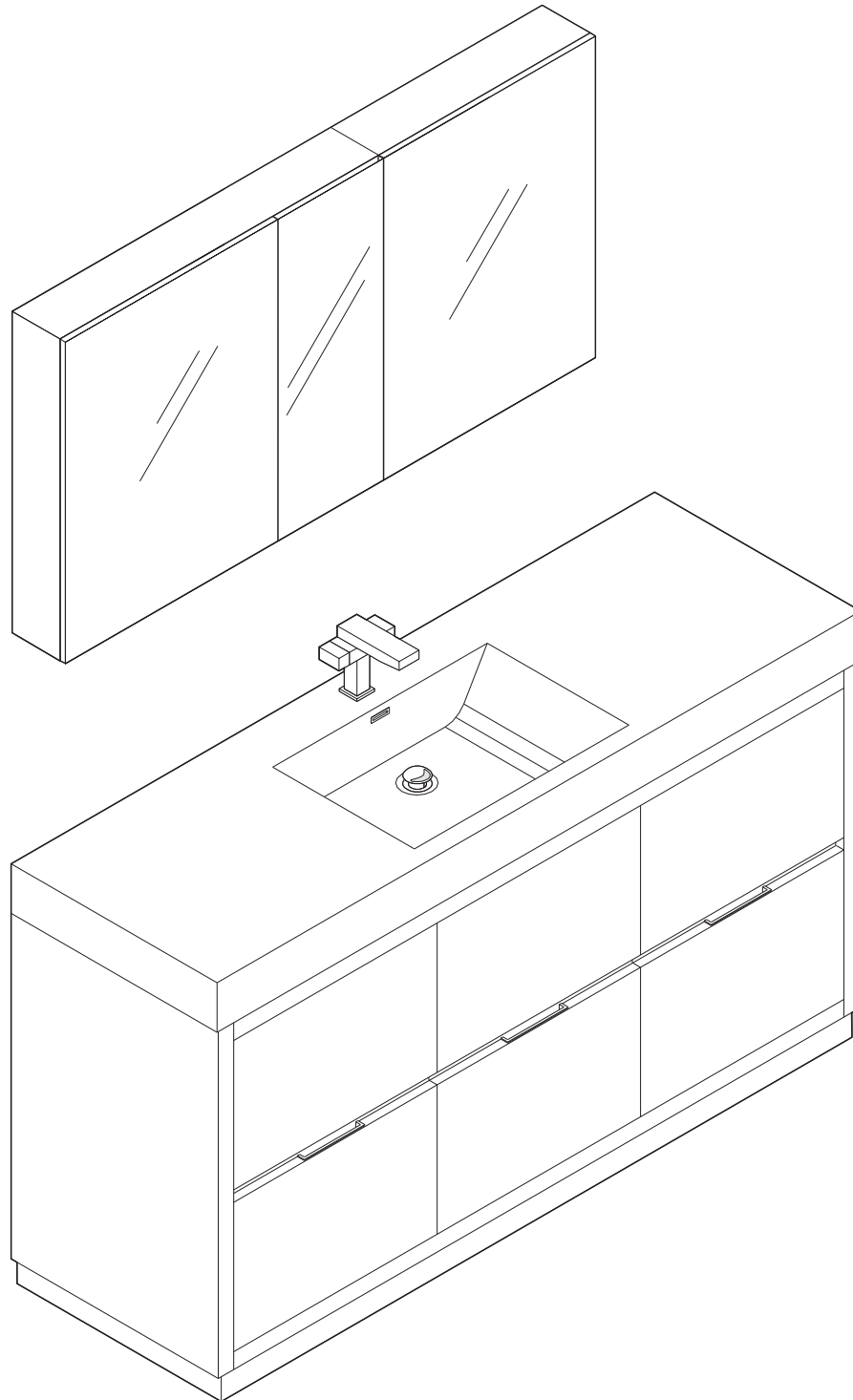
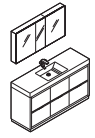
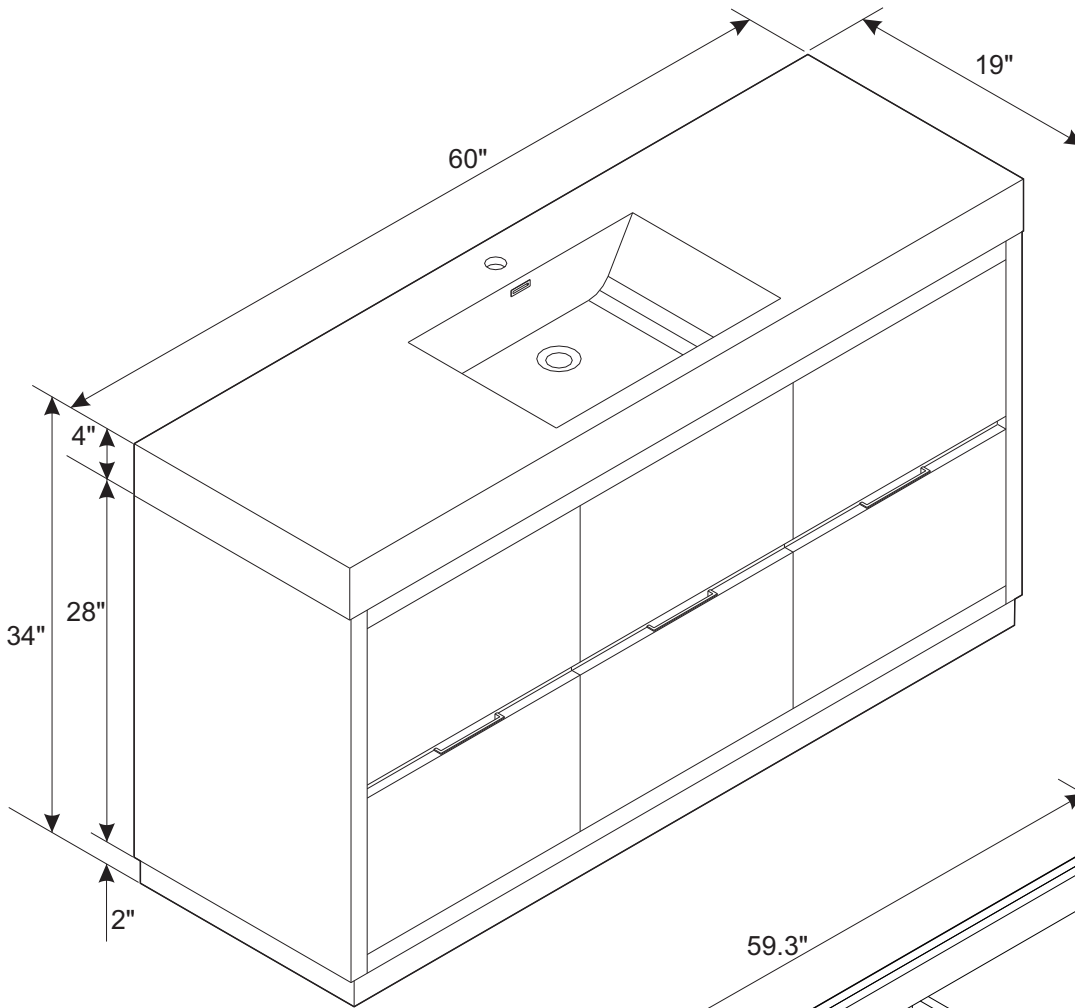


**FVN8460**  
**VALENCIA**  
**INSTALLATION GUIDE**

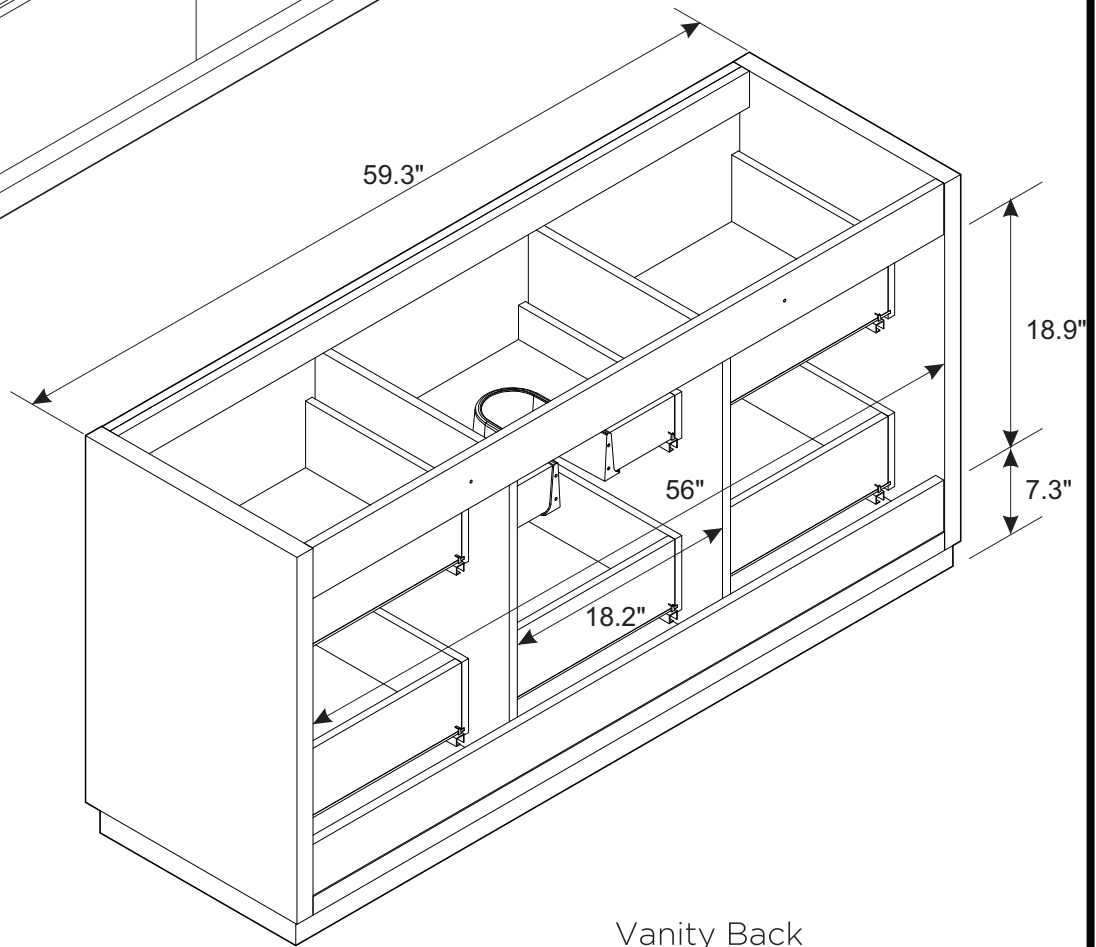




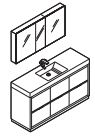
**FVN8460**  
**VALENCIA**  
**INSTALLATION GUIDE**



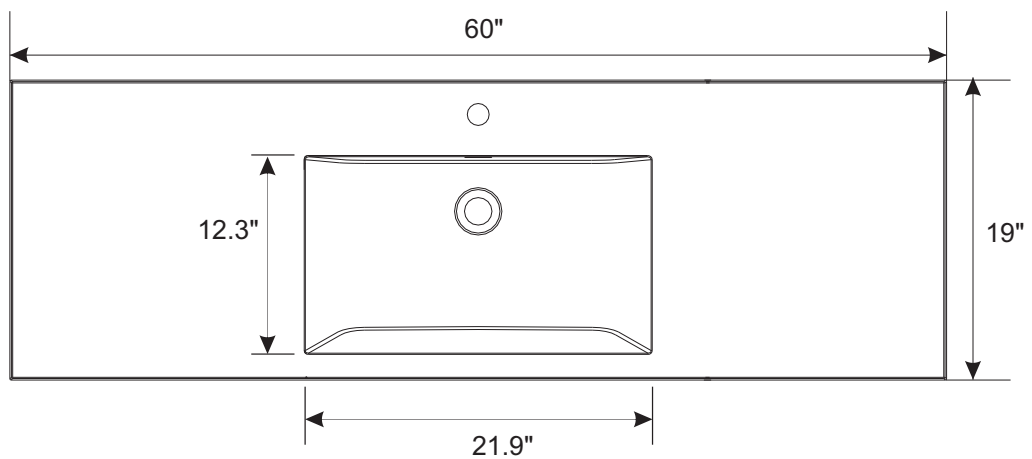
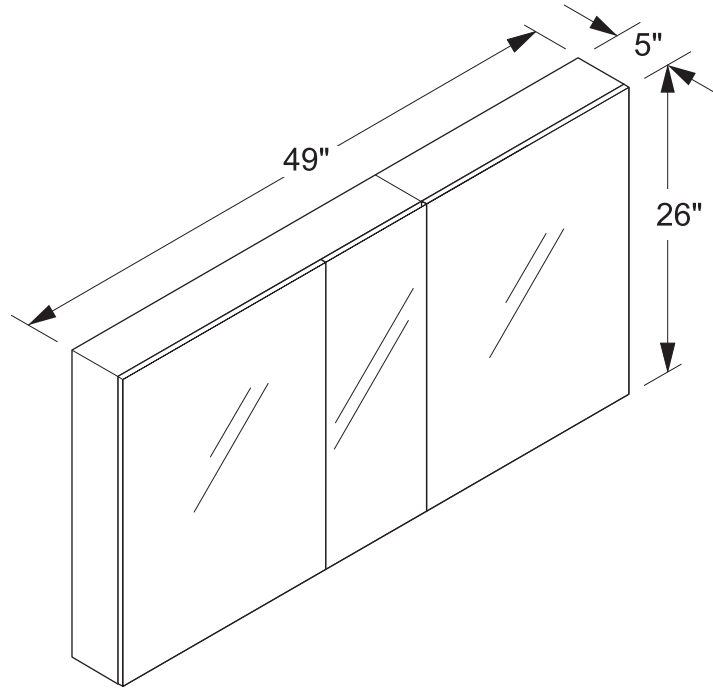
Vanity Front



Vanity Back



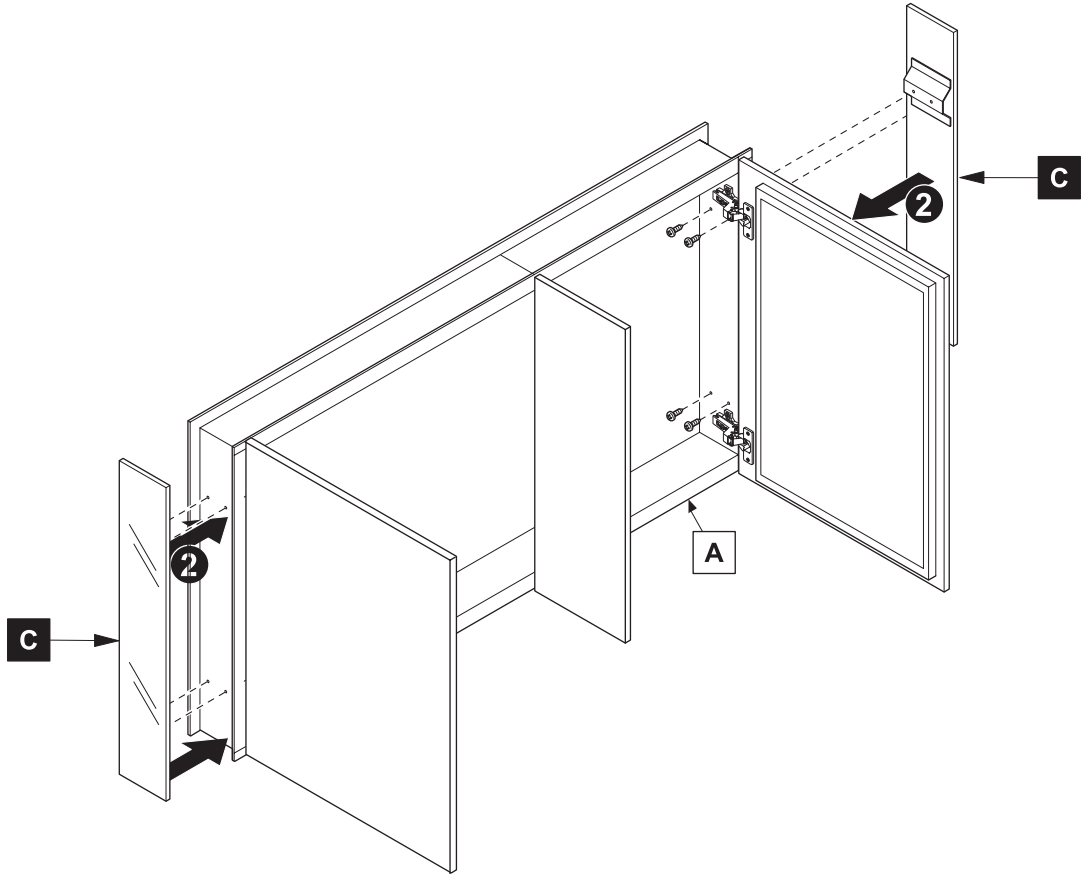
Medicine Cabinet



# MEDICINE CABINET INSTALLATION

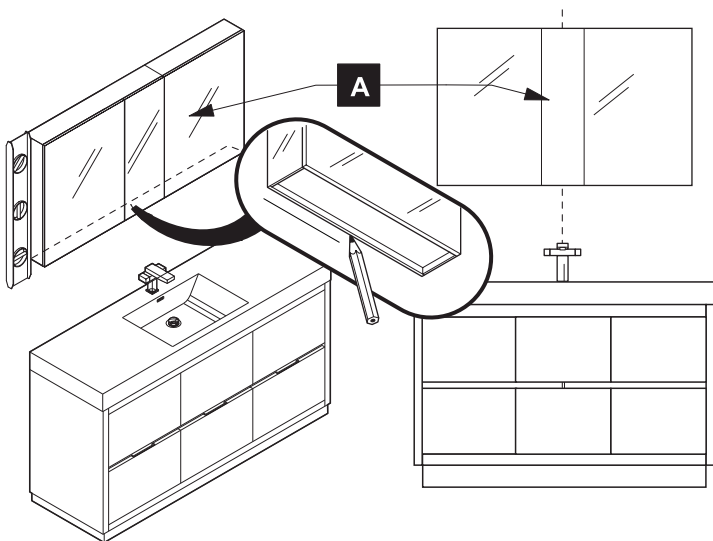
1

Install side mirrors (C)



2

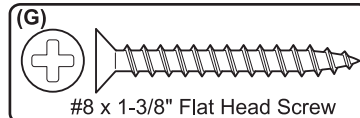
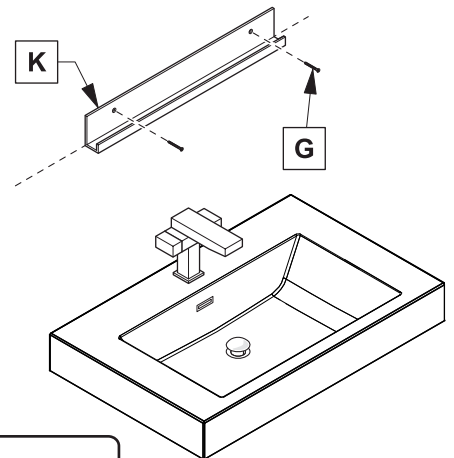
Mark cabinet (A) location



3

Install bottom bracket (K)

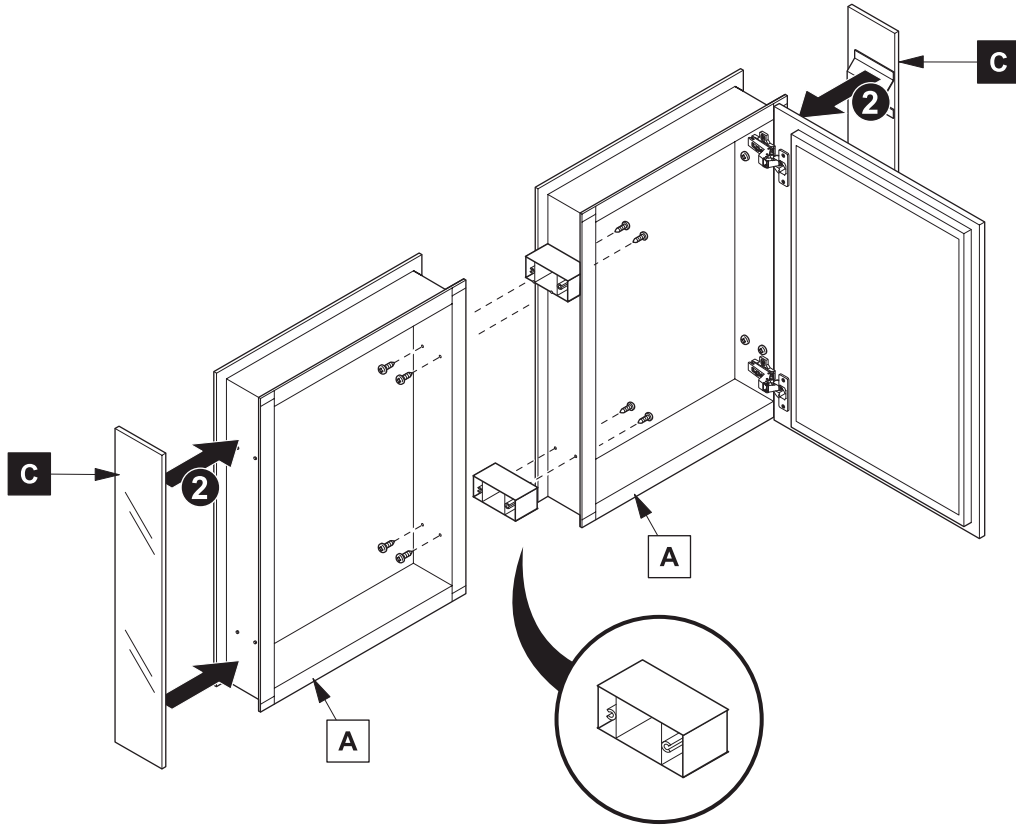
**IMPORTANT:** Consult an expert for the proper screws/bolts to use when attaching to various wall constructions. Screws provided do not attach to all wall construction types.



# MEDICINE CABINET INSTALLATION

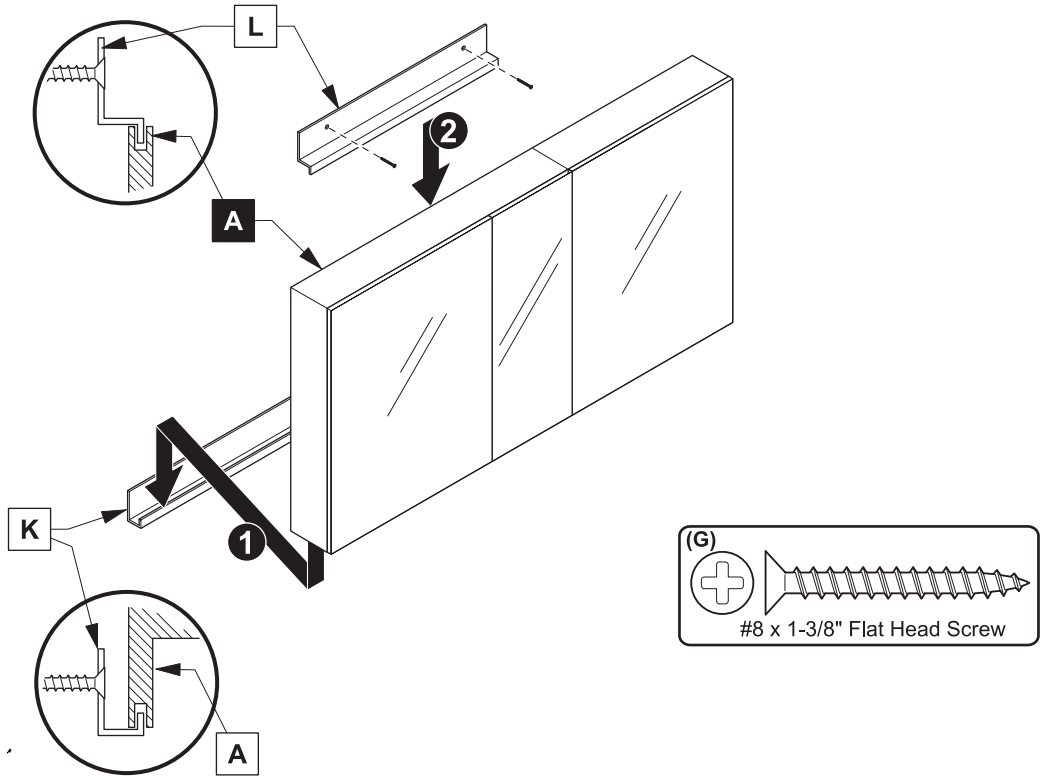
4

Joining of medicine cabinets.



5

Install cabinet (A) and top bracket (L)

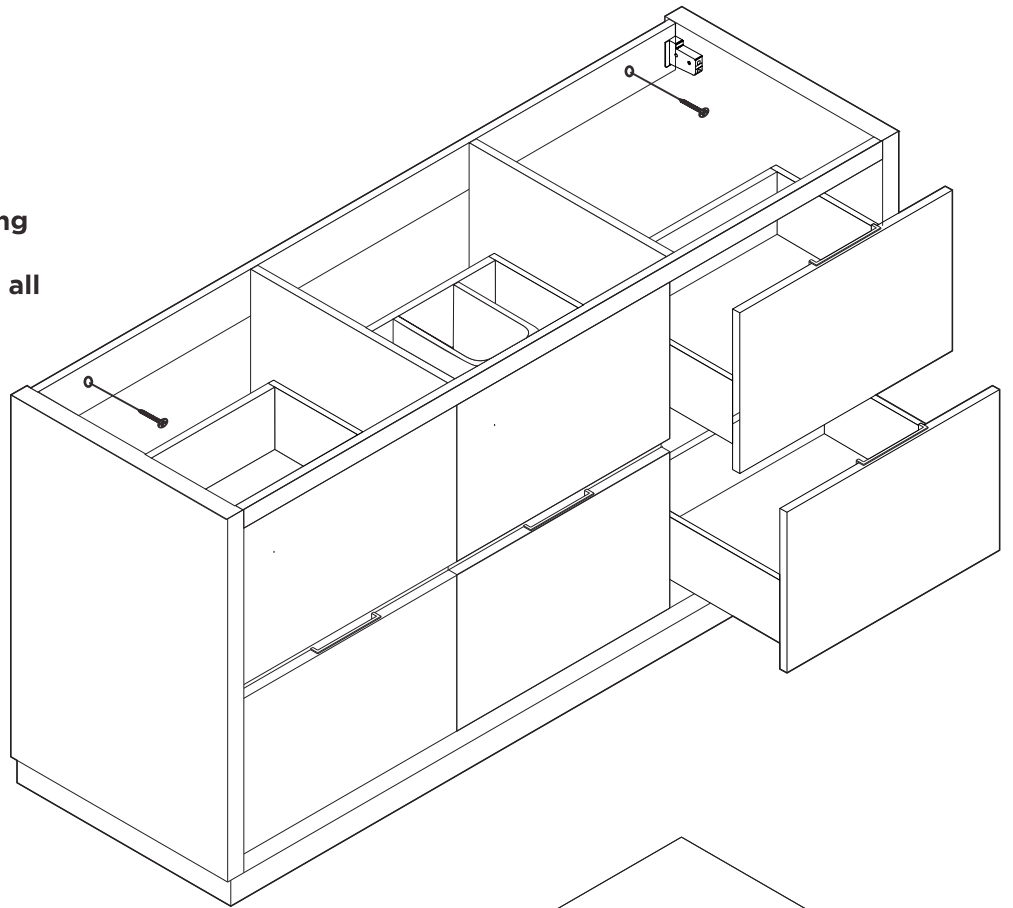


# INSTALLATION GUIDE

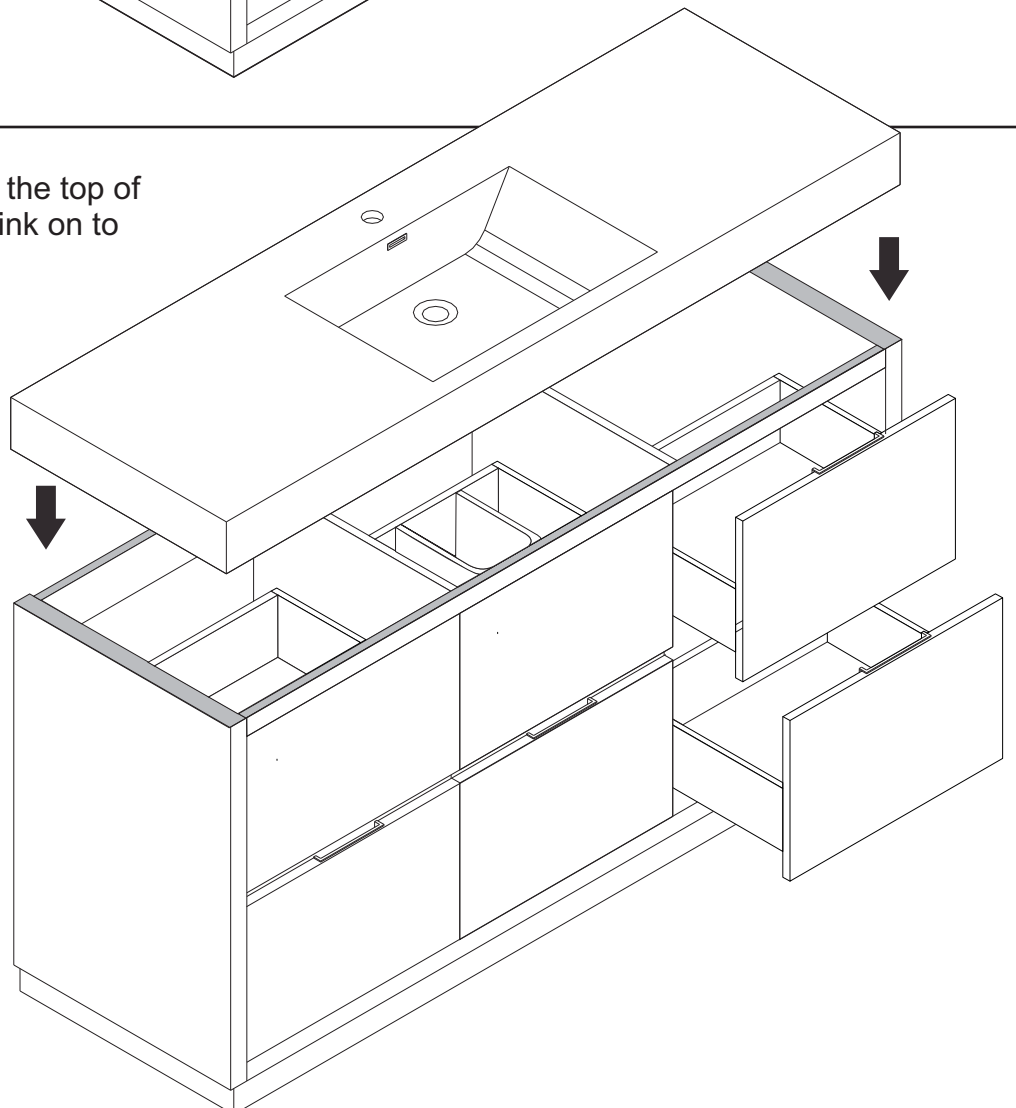
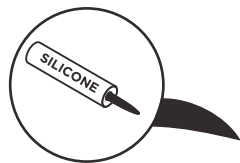
- 1 Secure cabinet to the wall.

**IMPORTANT:**

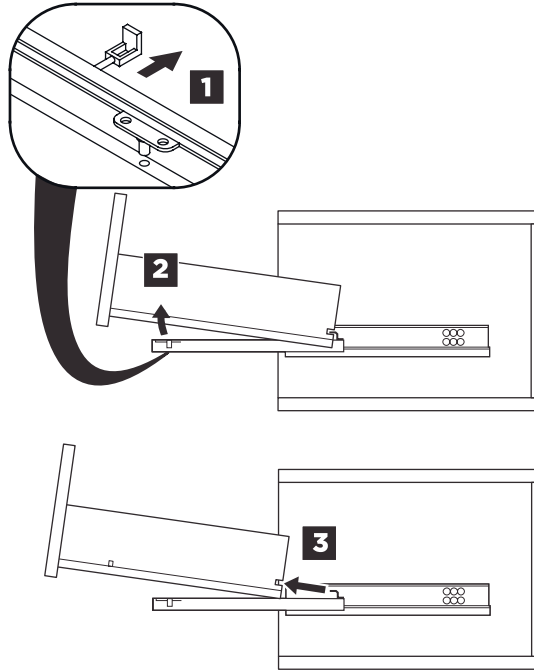
Consult an expert for the proper screws/bolts to use when attaching to various wall constructions. Screws provided **do not** attach to all wall construction types.



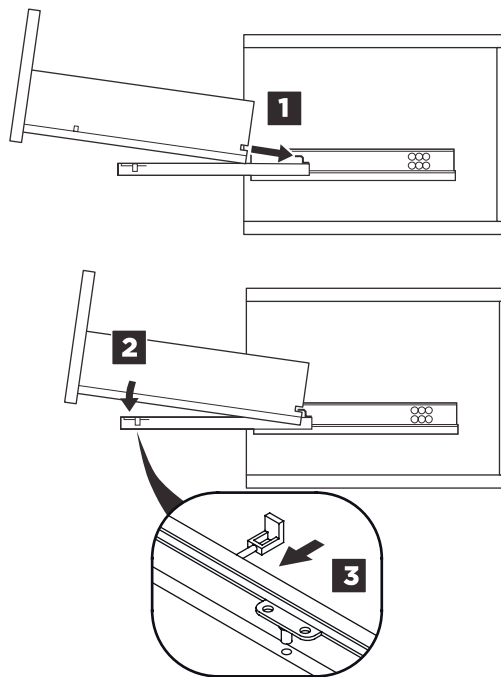
- 2 Apply a bead of silicone on the top of the cabinet and place the sink on to the cabinet.



REMOVAL



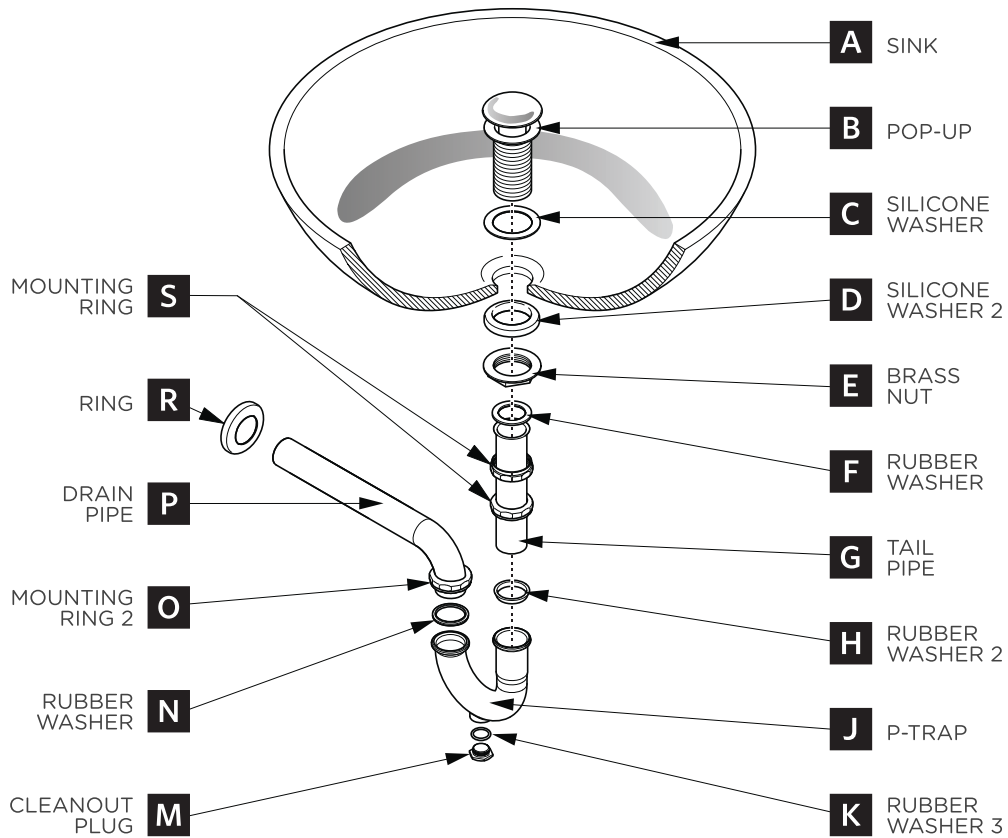
INSTALLATION



# P-TRAP & POP-UP

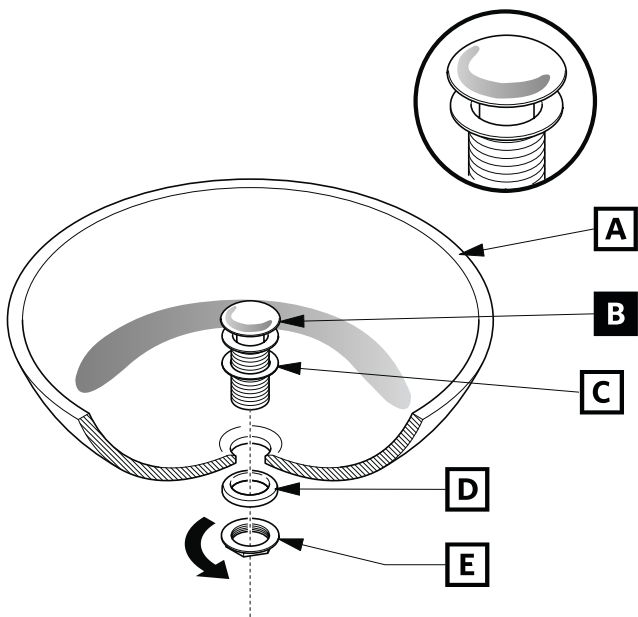
## INSTALLATION INSTRUCTIONS

Your item may appear slightly different from the illustration.



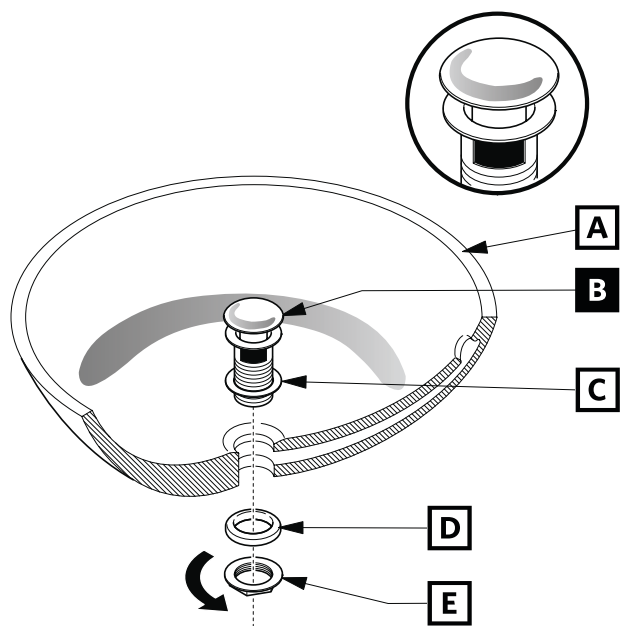
### POP-UP INSTALLATION

#### FOR SINKS WITHOUT OVERFLOW



OR

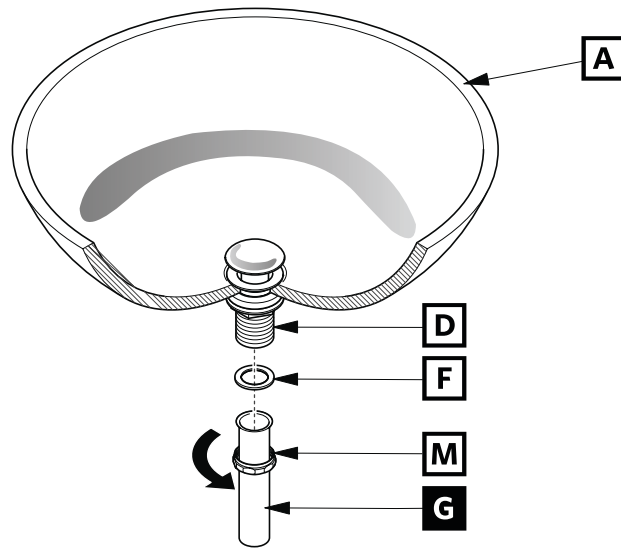
#### FOR SINKS WITH OVERFLOW





# P-TRAP INSTALLATION

**1.** Install tail pipe (G)



**2.** Install P-trap (J)

