



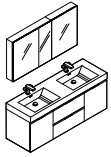
FVN8360-D

VALENCIA

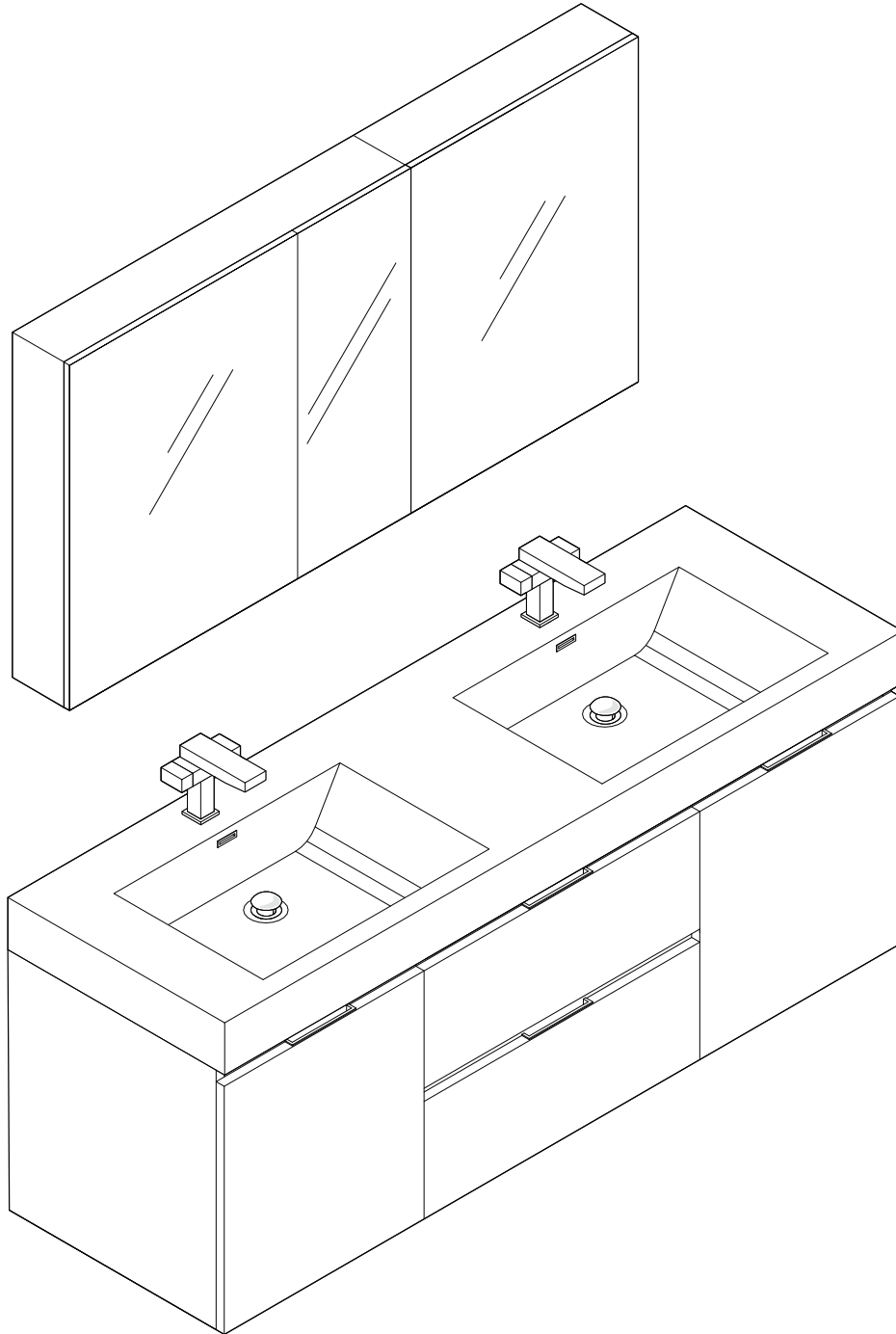
INSTALLATION GUIDE

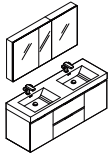
CONTENTS:

Cabinet.....	(FCB8360-D).....	PAGE 6
Sink.....	(FVS8042WH).....	PAGE 6
Medicine Cabinet.....	(FMC8013).....	PAGE 4



FVN8360-D VALENCIA INSTALLATION GUIDE

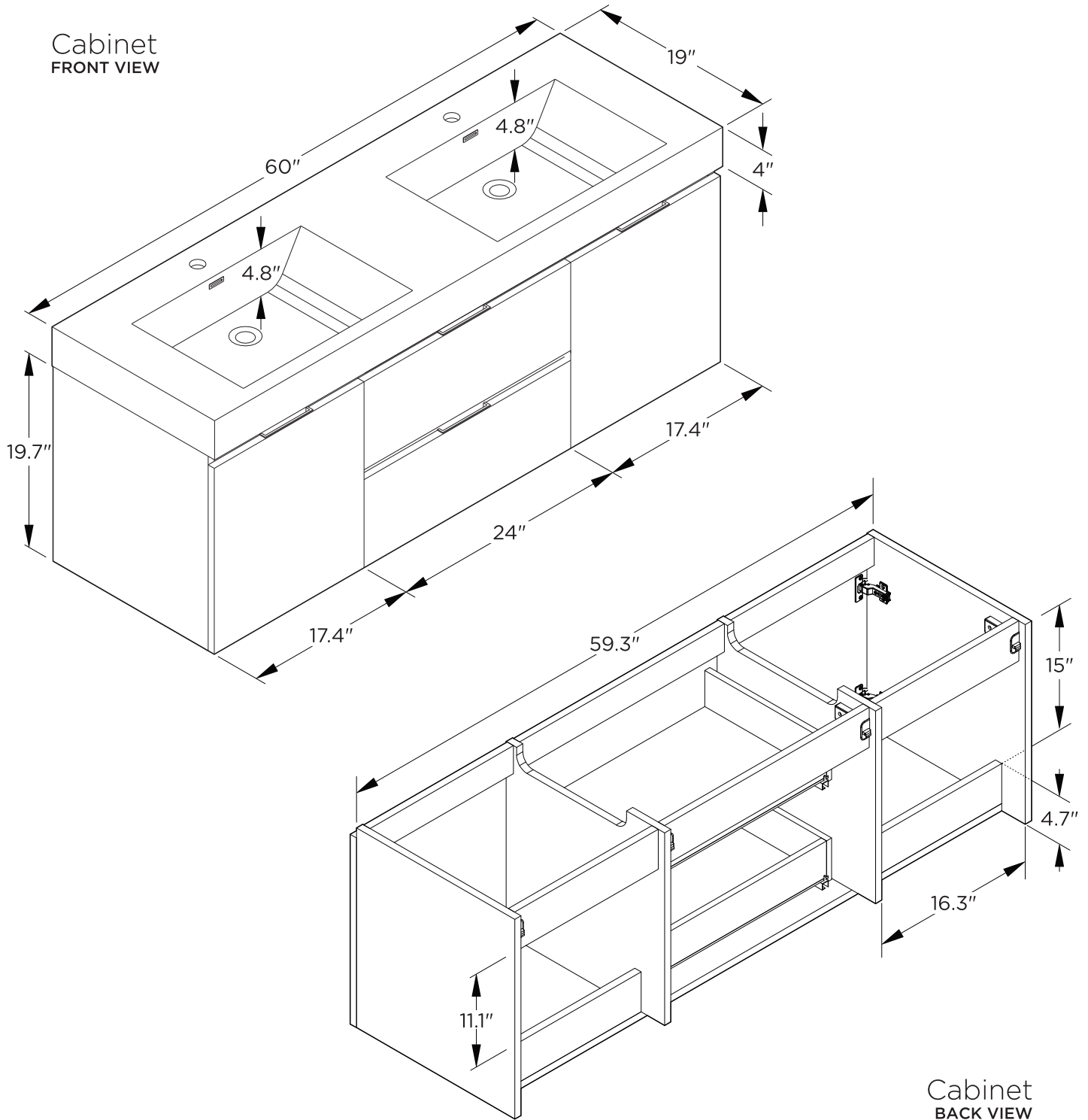




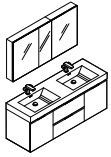
FVN8360-D VALENCIA INSTALLATION GUIDE



CABINET DIMENSIONS



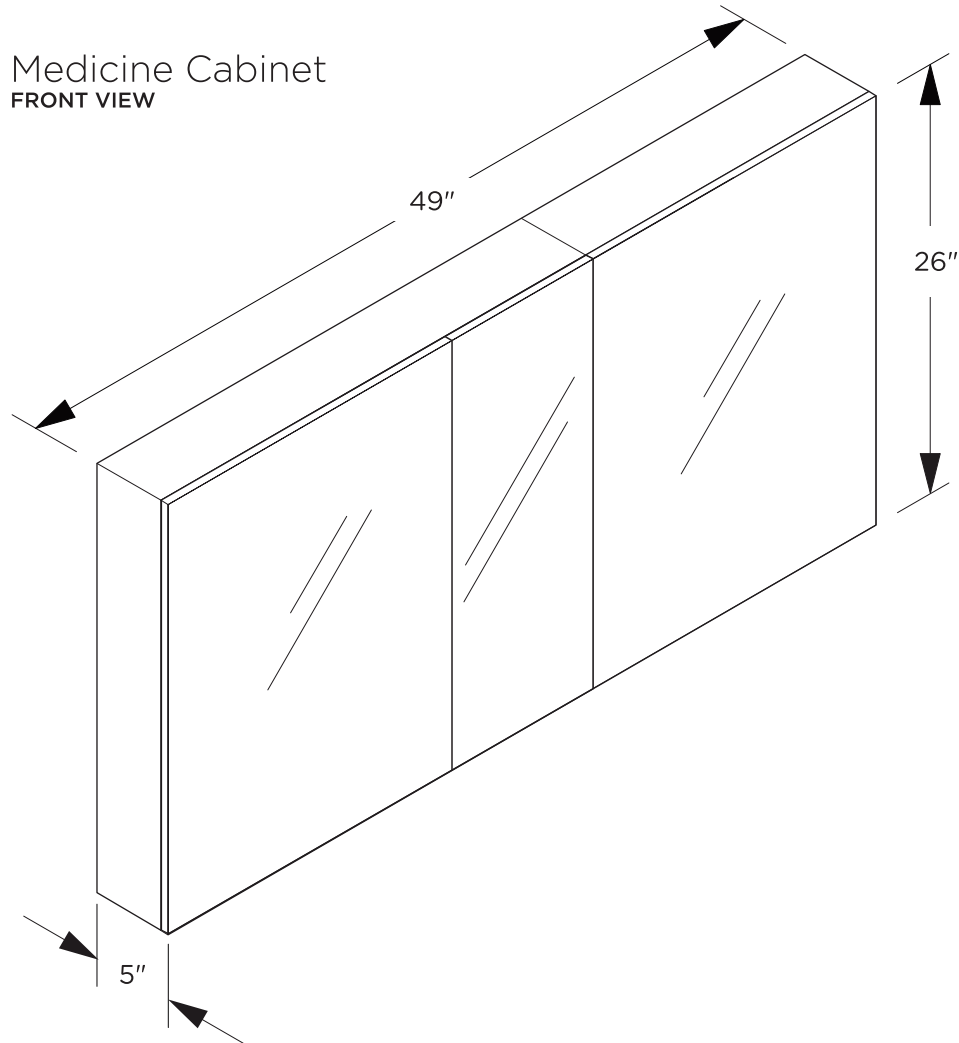
NOTE: ALL DIMENSIONS & SPECIFICATIONS ARE APPROXIMATE AND SUBJECT TO CHANGE WITHOUT NOTICE.



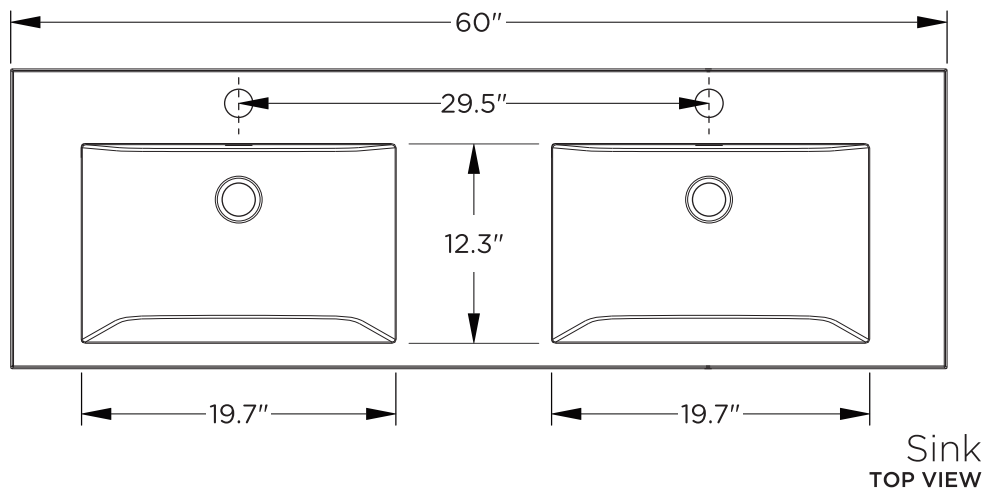
FVN8360-D VALENCIA INSTALLATION GUIDE



MEDICINE CABINET DIMENSIONS



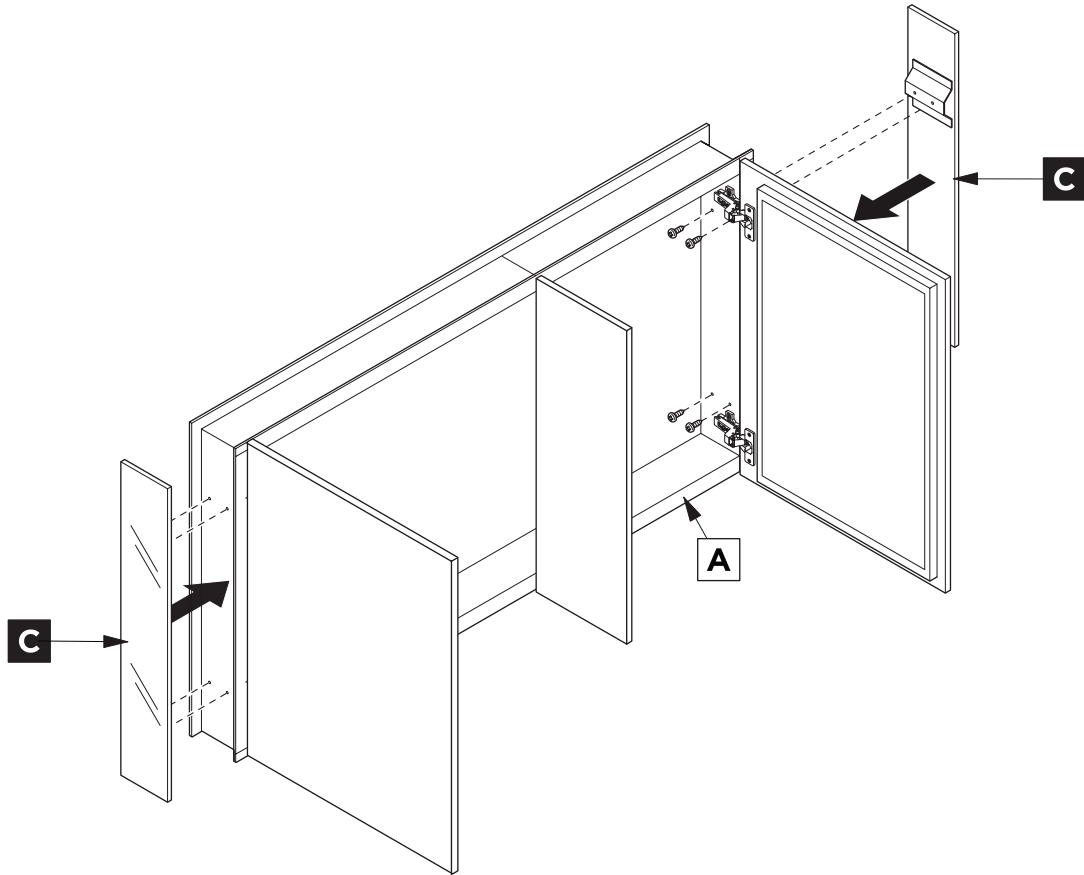
SINK DIMENSIONS



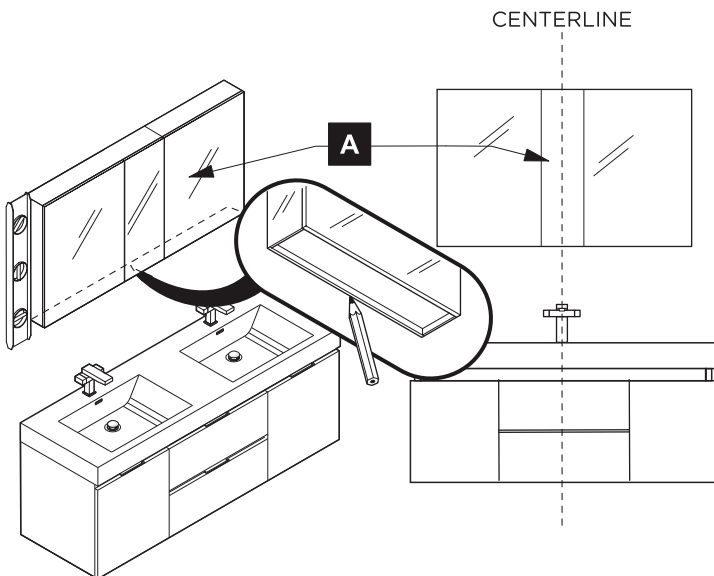
NOTE: ALL DIMENSIONS & SPECIFICATIONS ARE APPROXIMATE AND SUBJECT TO CHANGE WITHOUT NOTICE.

MEDICINE CABINET INSTALLATION

1 Attach side mirrors (C) to the cabinet (A).

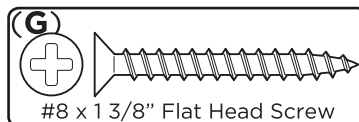
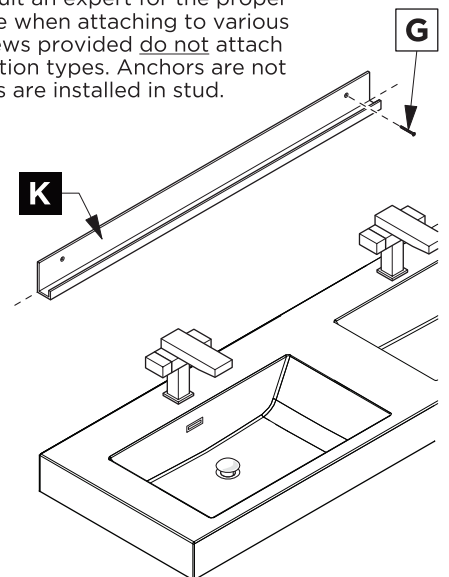


2 Mark location of a medicine cabinet (A) on the wall.



3 Attach bottom bracket (K) to the wall.

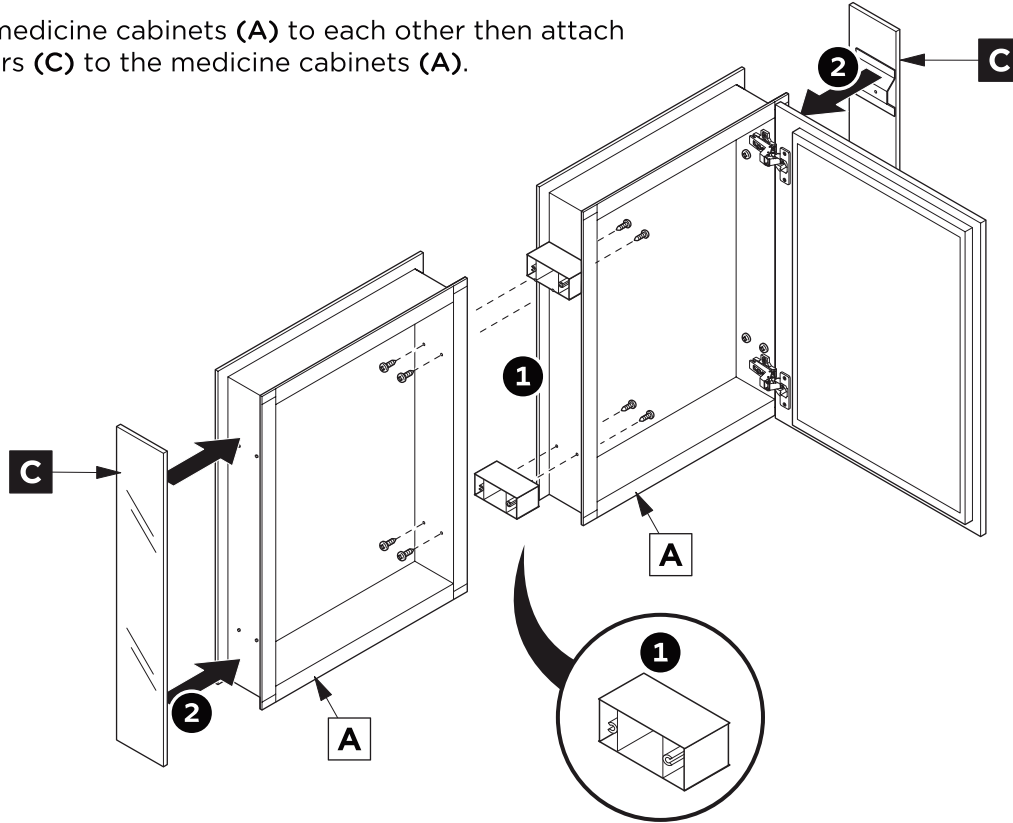
IMPORTANT: Consult an expert for the proper screws/bolts to use when attaching to various constructions. Screws provided do not attach to all wall construction types. Anchors are not required if brackets are installed in stud.



MEDICINE CABINET INSTALLATION

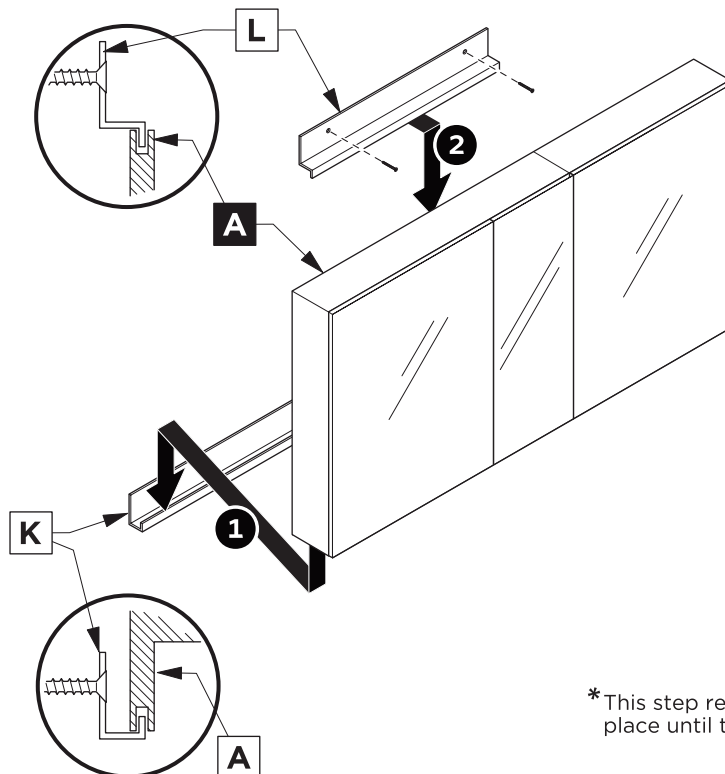
4

Connect medicine cabinets (A) to each other then attach side mirrors (C) to the medicine cabinets (A).



5

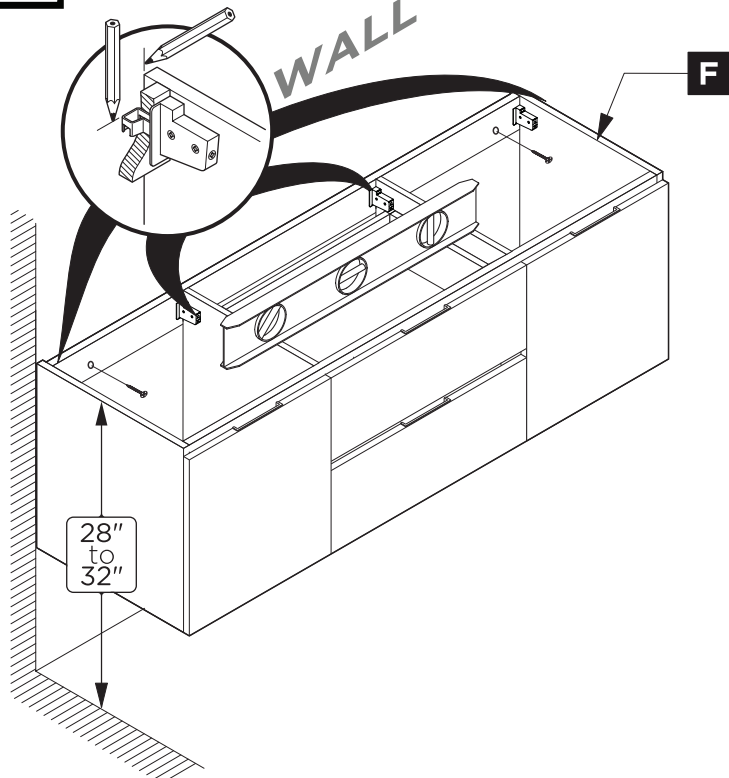
*Place previously connected medicine cabinets (A) on the bottom bracket (K) and secure it with a top bracket (L).



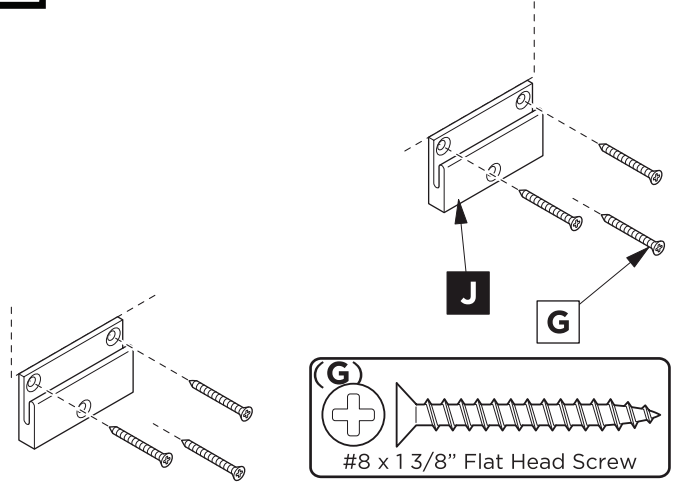
*This step requires assistance to hold cabinet in place until top bracket is securely attached.

CABINET INSTALLATION

- 1** Mark cabinet's (F) location on the wall.

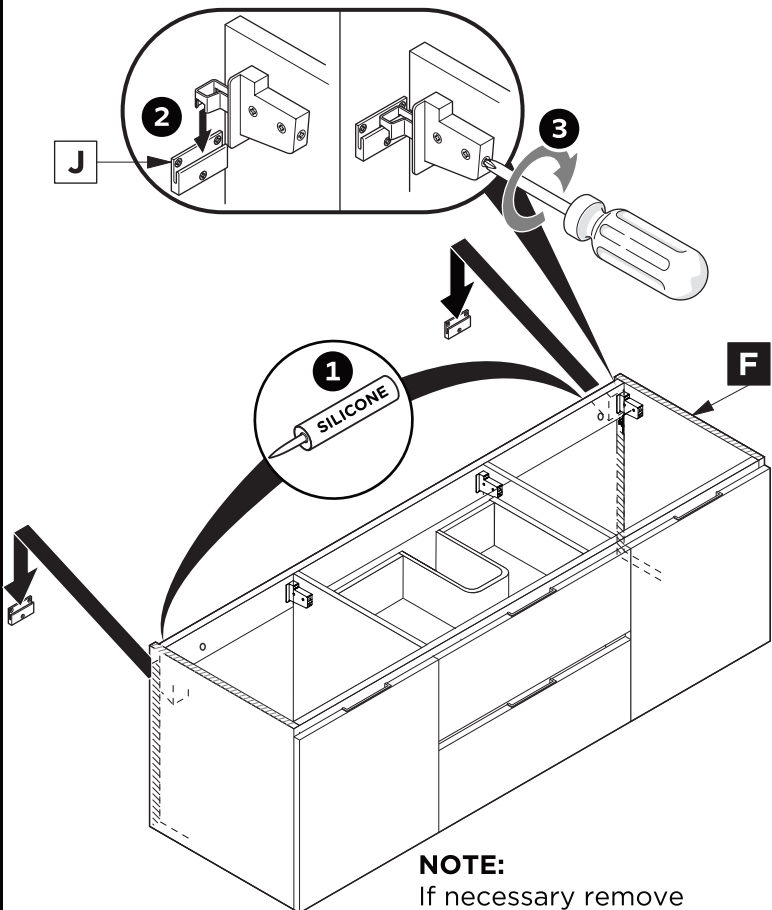


- 2** Attach wall brackets (J) to the wall.



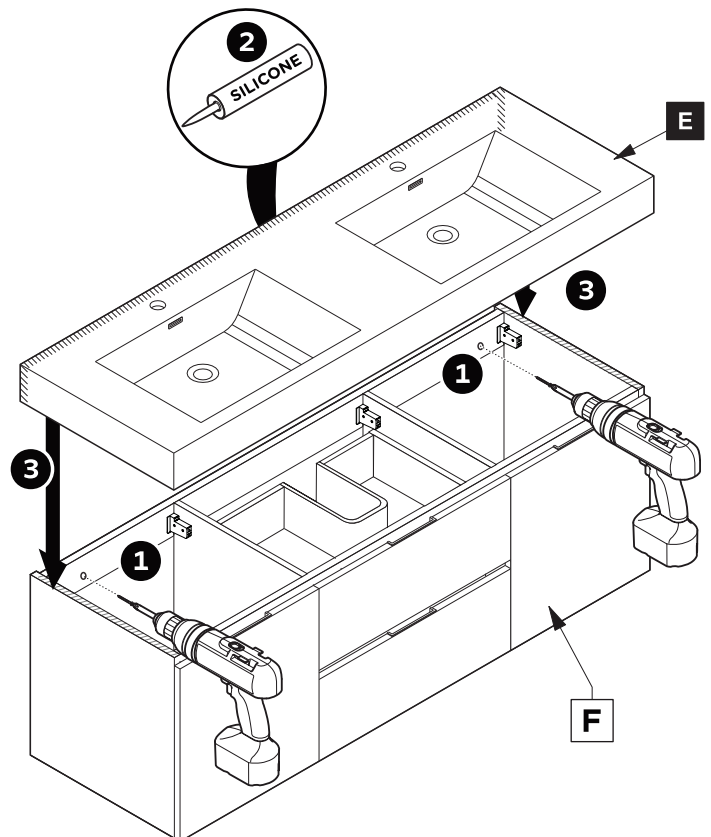
IMPORTANT: Consult an expert for the proper screws/bolts to use when attaching to various constructions. Screws provided do not attach to all wall construction types. Anchors are not required if brackets are installed in stud.

- 3** Apply a bead of silicone on the back of the cabinet (F). Hang a cabinet (F) on the brackets (J) and secure it with a screwdriver.

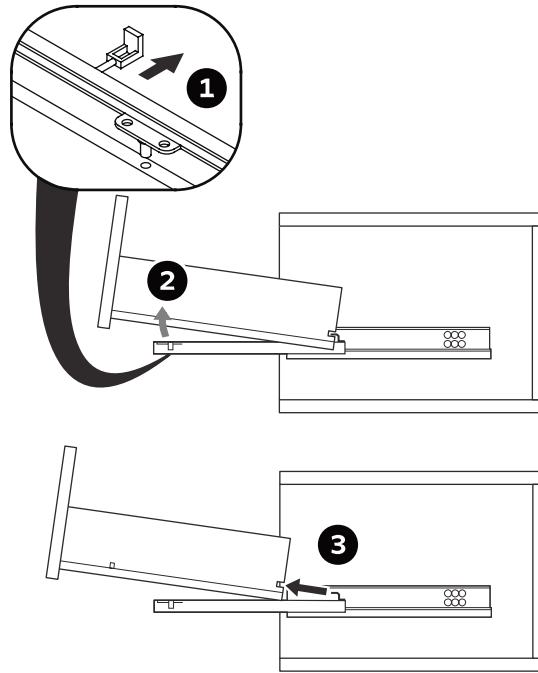


NOTE:
If necessary remove drawers for easy access to the connection mechanism.

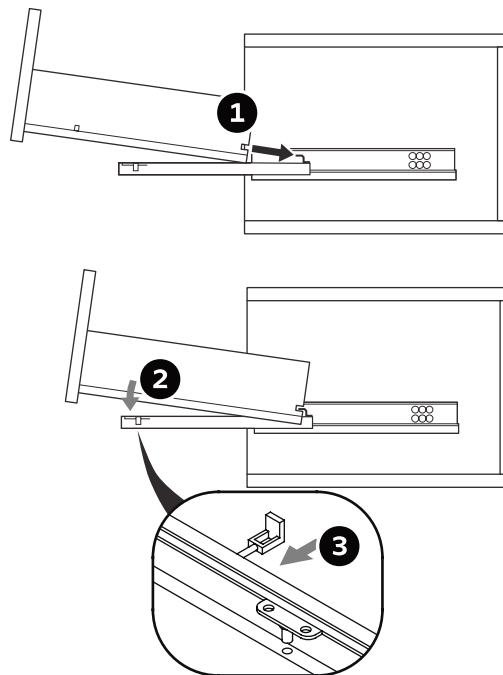
- 4**
- 1 Attach cabinet (F) to the wall using a drill.
 - 2 Apply a bead of silicone on the top of the cabinet (F) and on the bottom of sink (E).
 - 3 Place sink (E) on the cabinet (F).



DRAWER REMOVAL

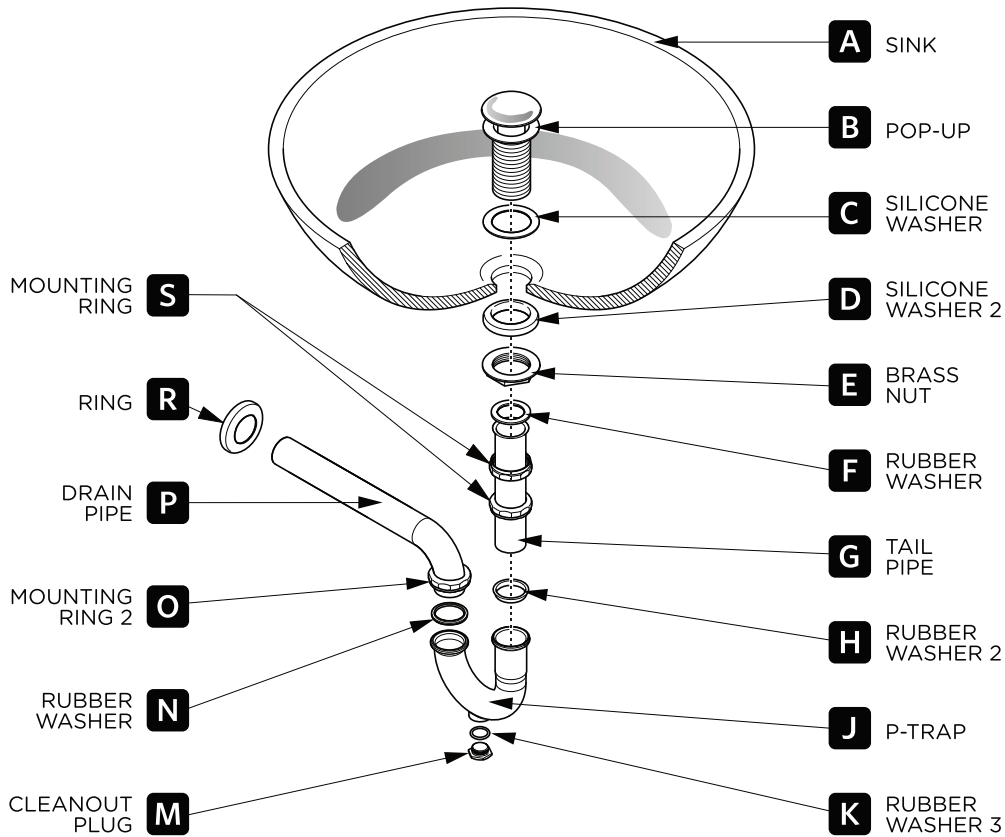


DRAWER INSTALLATION



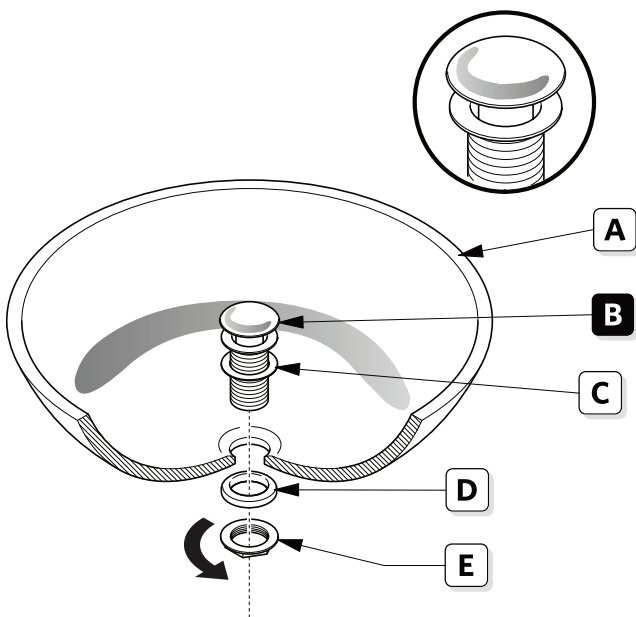
P-TRAP & POP-UP INSTALLATION INSTRUCTIONS

Your item may appear slightly different from the illustration.



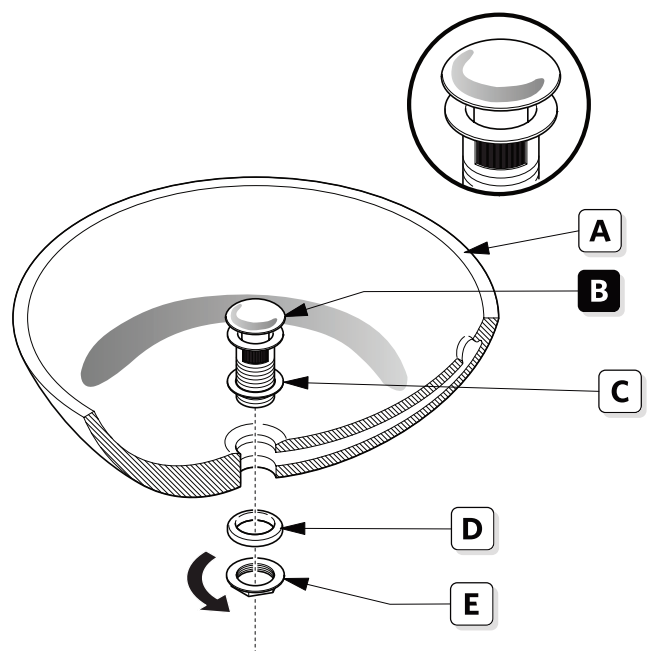
POP-UP INSTALLATION INSTRUCTIONS

FOR SINKS
WITHOUT OVERFLOW



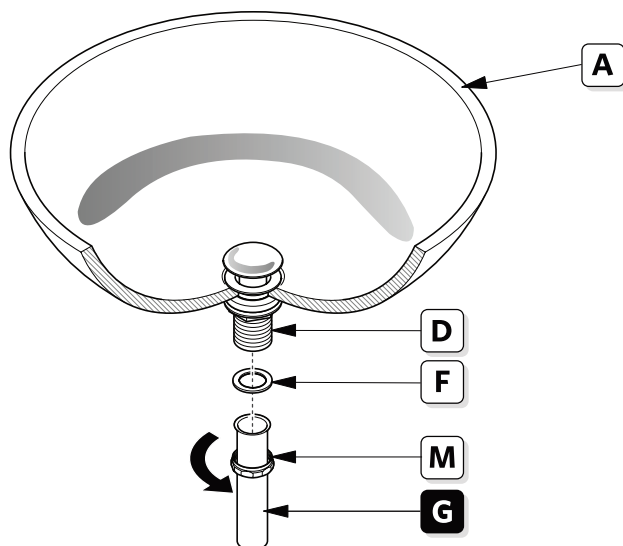
OR

FOR SINKS
WITH OVERFLOW



P-TRAP INSTALLATION

1 Install Tail Pipe (G).



2 Install P-Trap (J).

