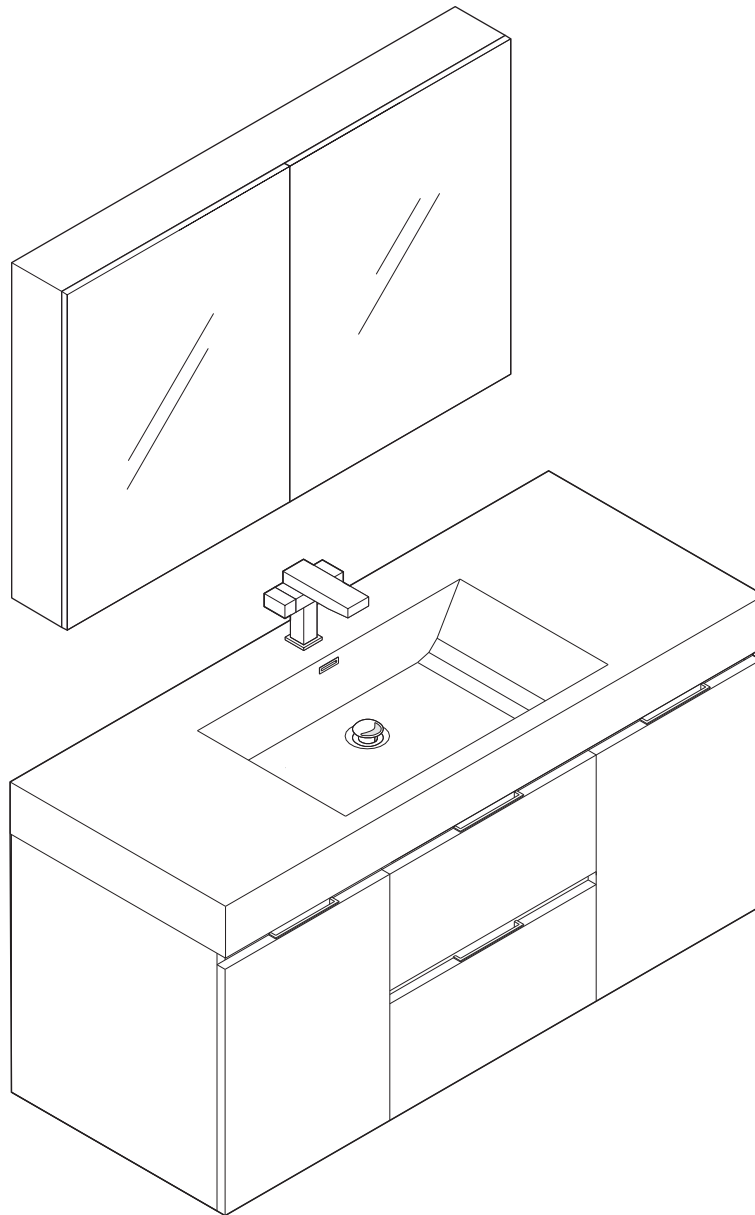
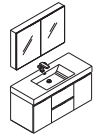
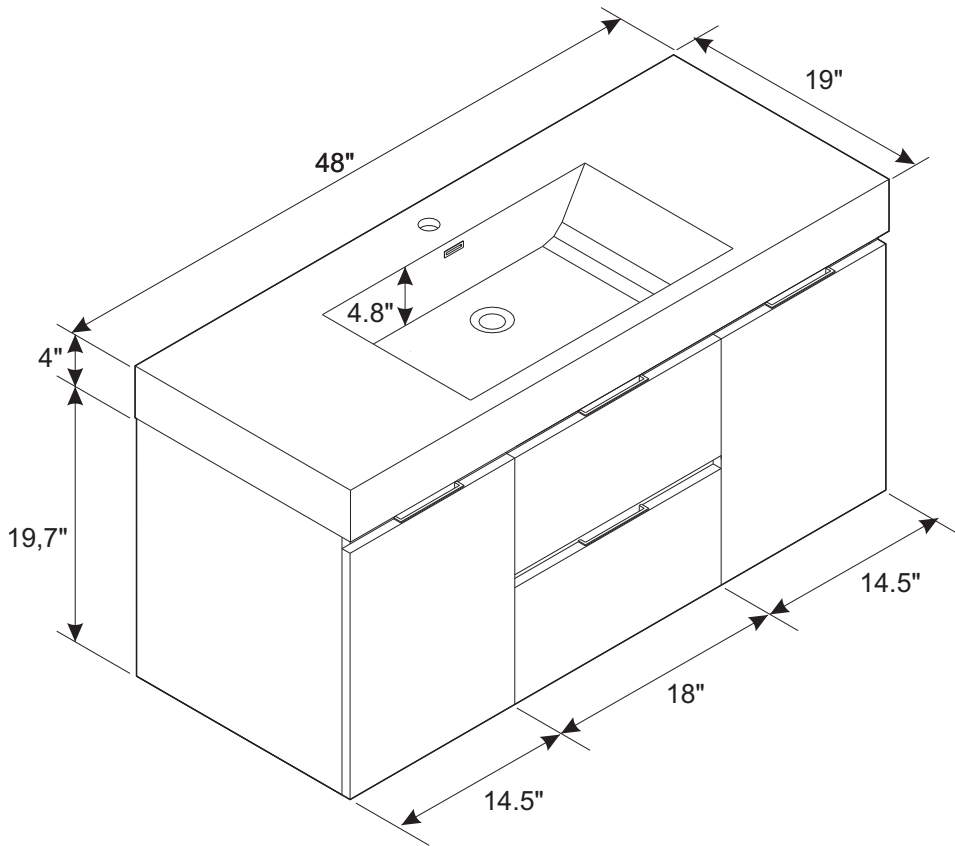


FVN8348
VALENCIA
INSTALLATION GUIDE

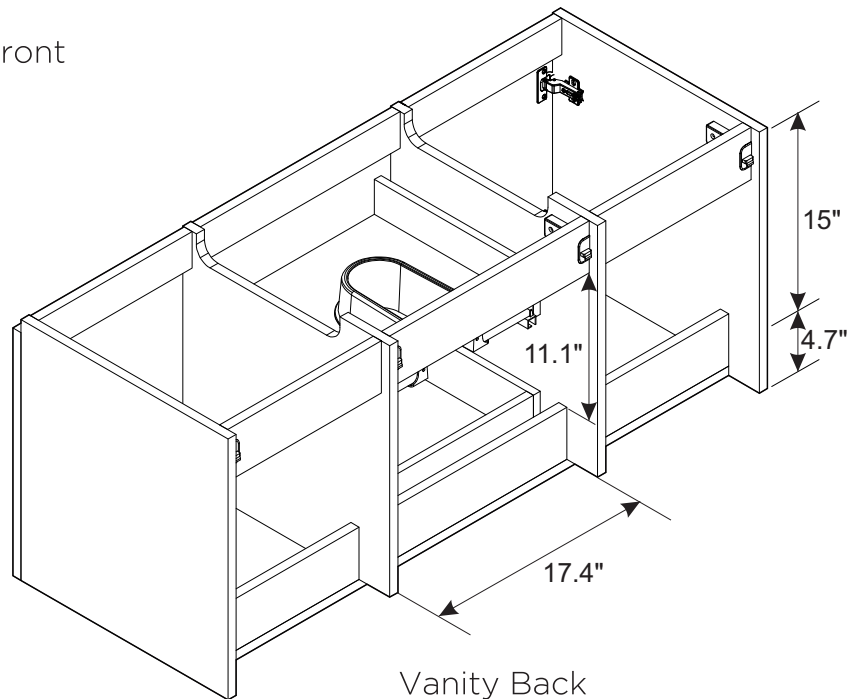




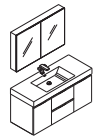
FVN8348
VALENCIA
INSTALLATION GUIDE



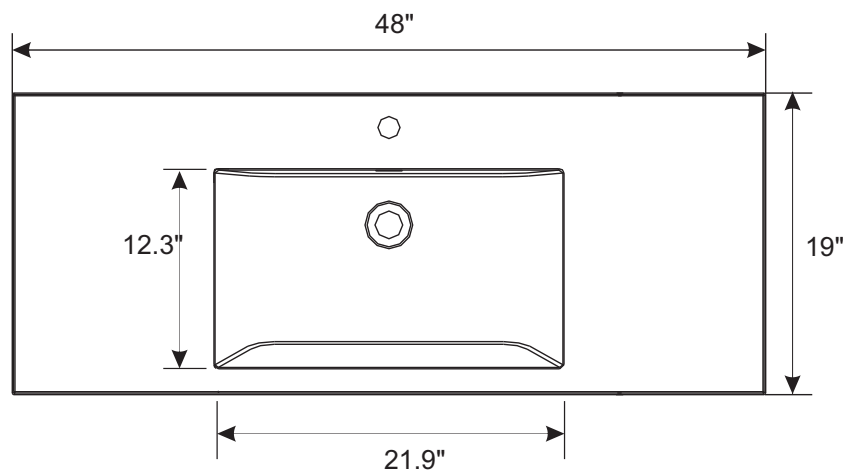
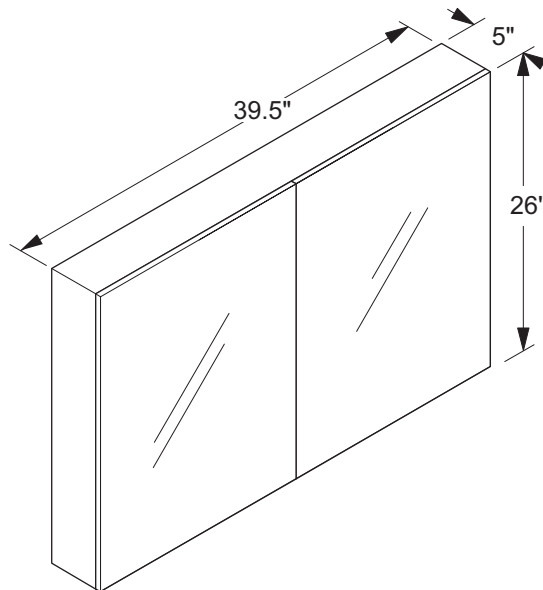
Vanity Front



Vanity Back

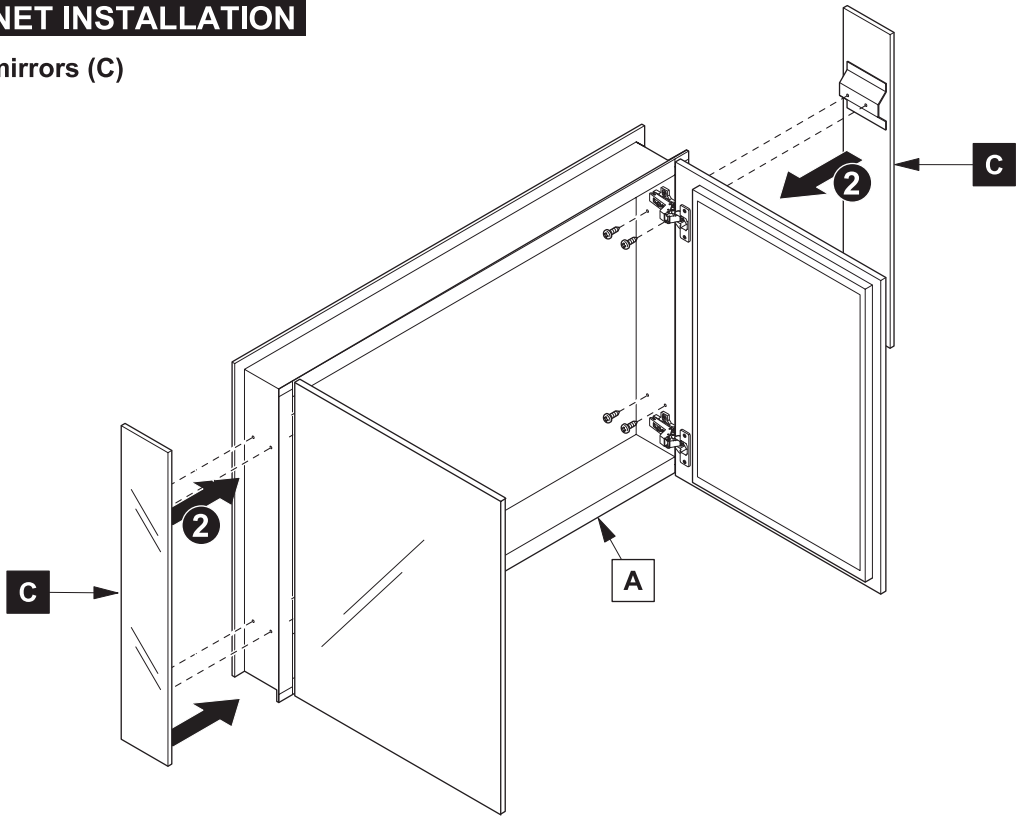


Medicine Cabinet

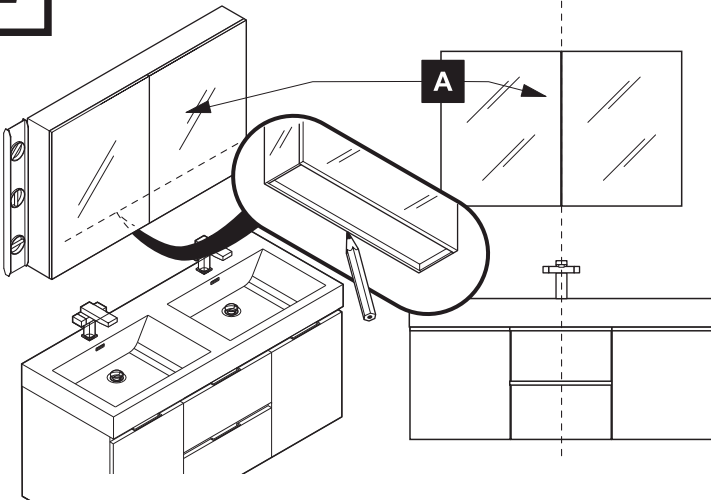


MEDICINE CABINET INSTALLATION

1 Install side mirrors (C)

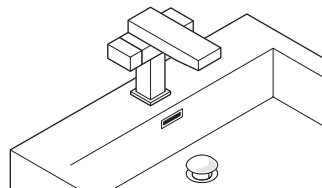
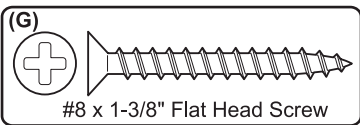
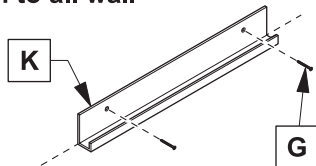


2 Mark cabinet (A) location

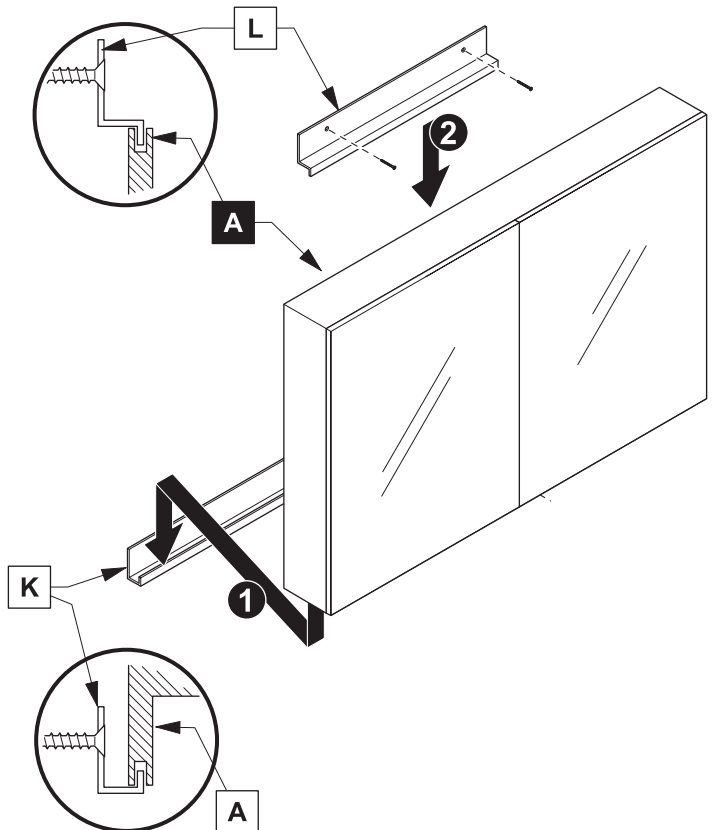
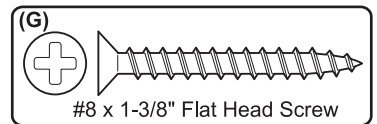


3 Install bottom bracket (K)

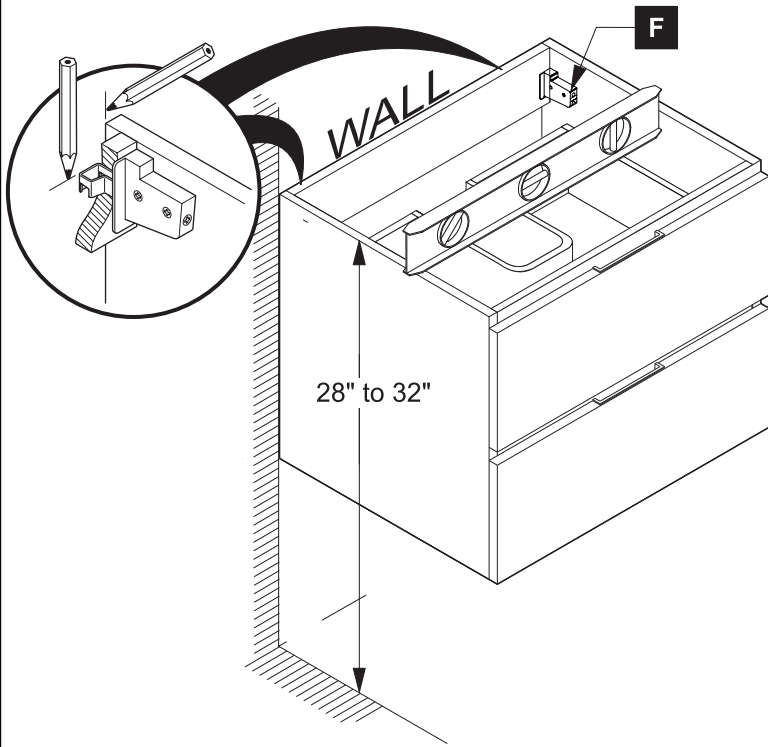
IMPORTANT: Consult an expert for the proper screws/bolts to use when attaching to various wall constructions. Screws provided do not attach to all wall construction types.



4 Install cabinet (A) and top bracket (L)

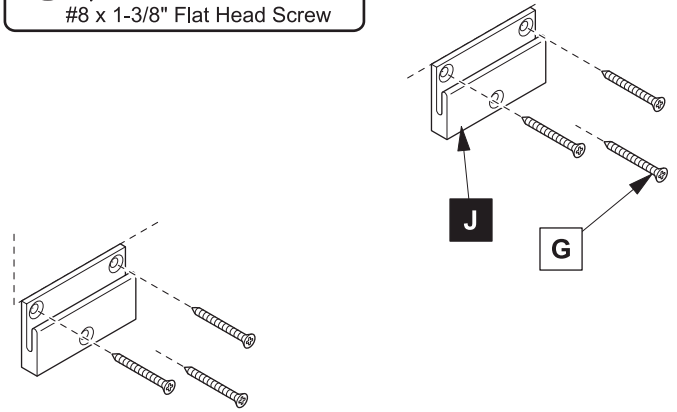
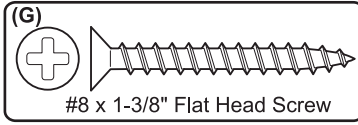


1 Mark cabinet (F) location on the wall

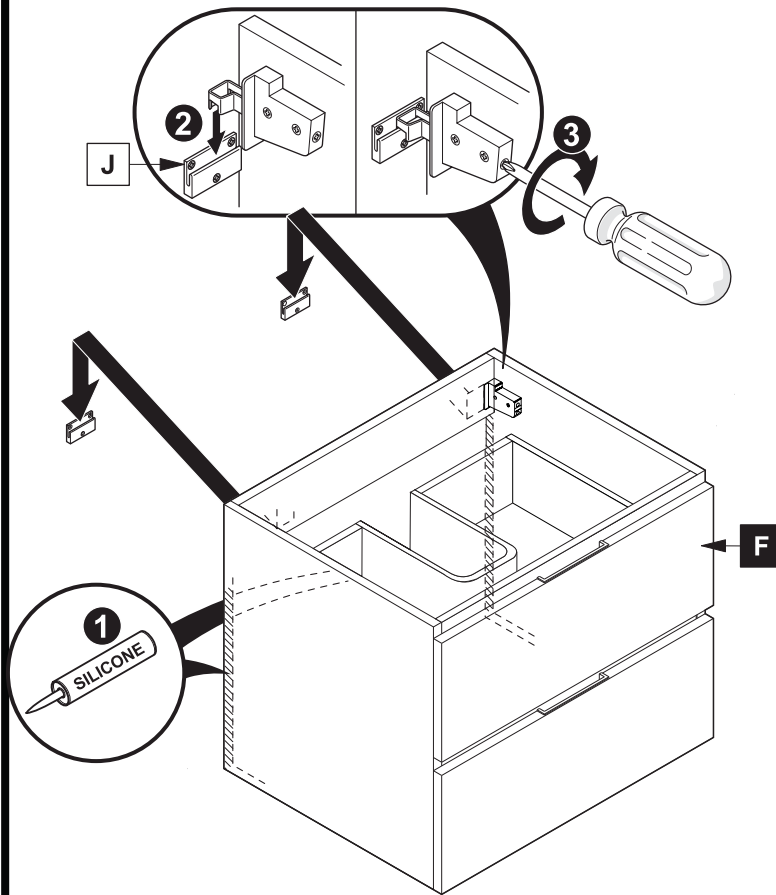


2 Install wall brackets (J)

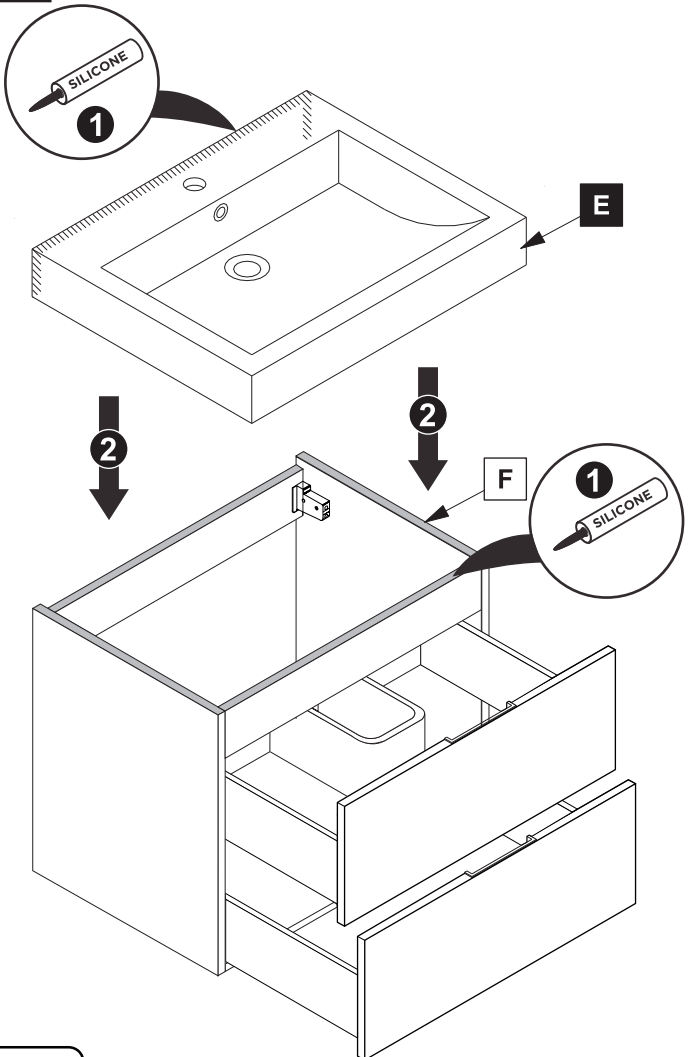
IMPORTANT: Consult an expert for the proper screws / bolts to use when attaching to various wall constructions. Screws provided *do not* attach to all wall construction types.



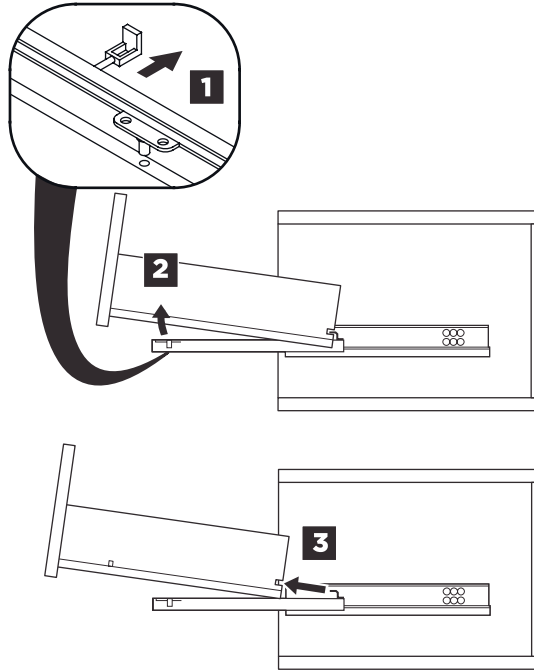
3



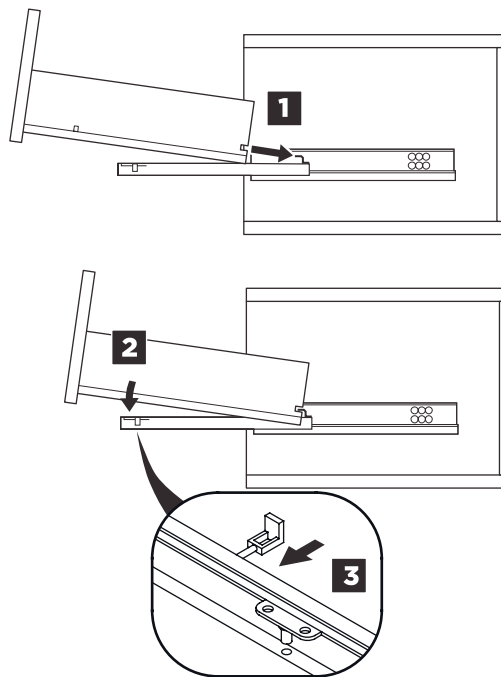
4 Apply silicone and install sink (E)



REMOVAL



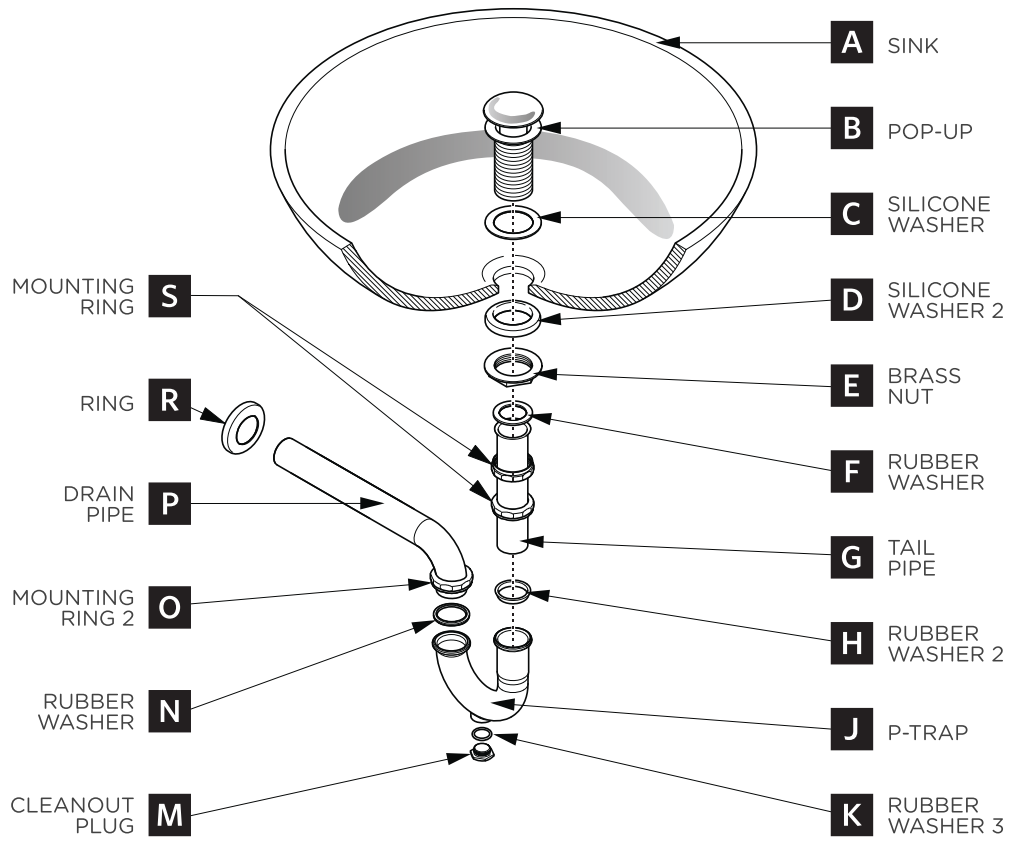
INSTALLATION



P-TRAP & POP-UP

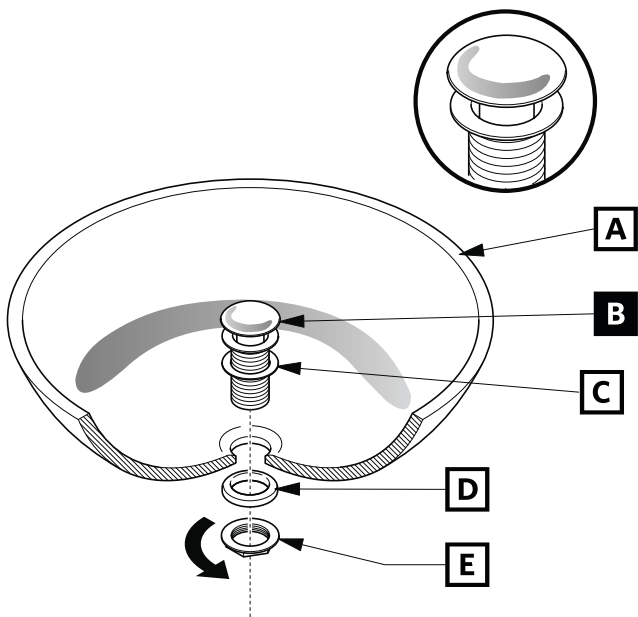
INSTALLATION INSTRUCTIONS

Your item may appear slightly different from the illustration.



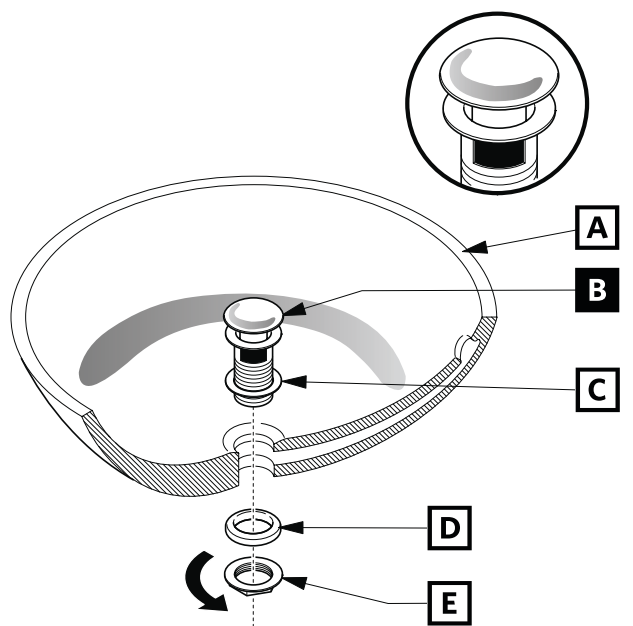
POP-UP INSTALLATION

FOR SINKS WITHOUT OVERFLOW



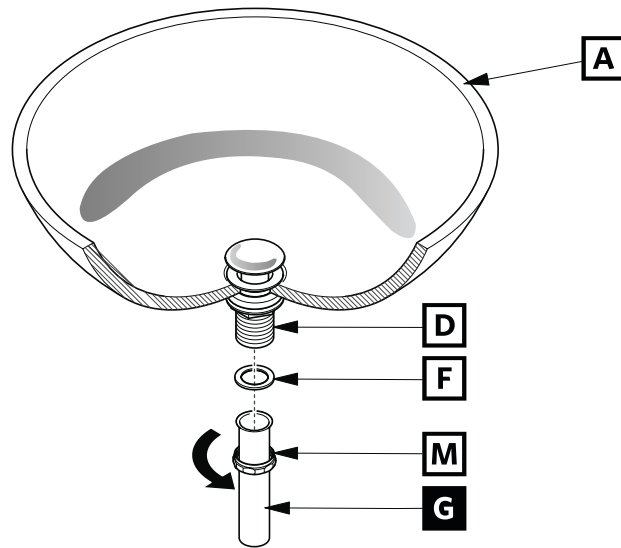
OR

FOR SINKS WITH OVERFLOW



P-TRAP INSTALLATION

1. Install tail pipe (G)



2. Install P-trap (J)

