

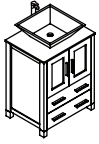


FVN6224-VSL TORINO

INSTALLATION GUIDE

CONTENTS:

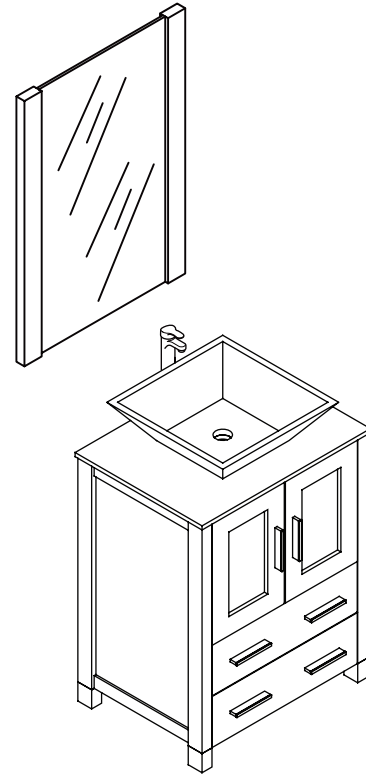
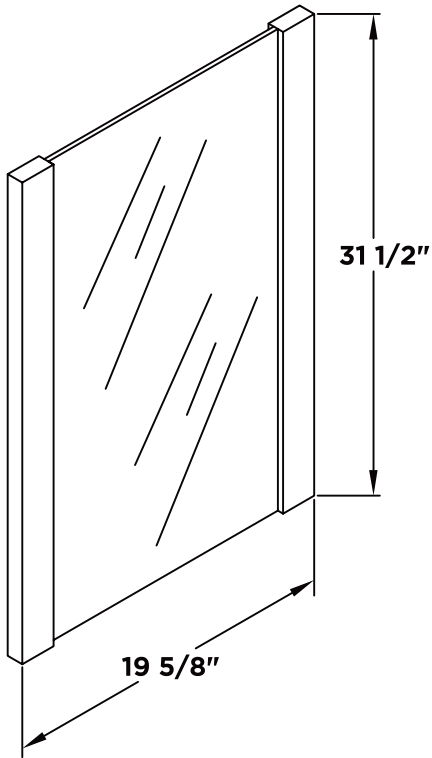
| | | |
|------------|-----------|--------|
| Cabinet | (FCB6224) | PAGE 3 |
| Sink | (FVS6217) | PAGE 4 |
| Mirror | (FMR6224) | PAGE 2 |
| Countertop | (FCT6224) | PAGE 4 |



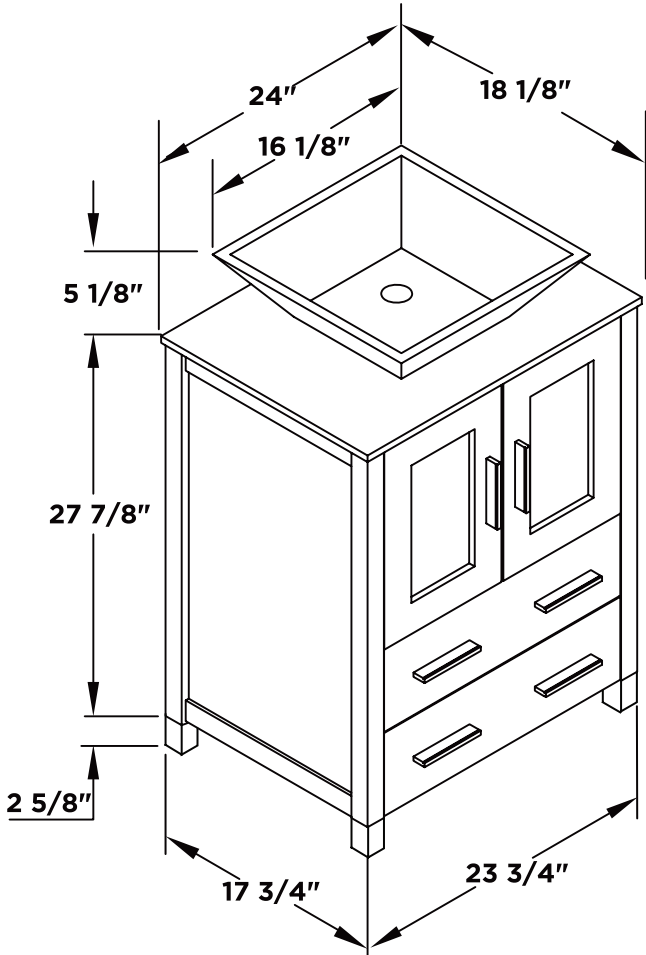
FVN6224-VSL
TORINO
INSTALLATION GUIDE



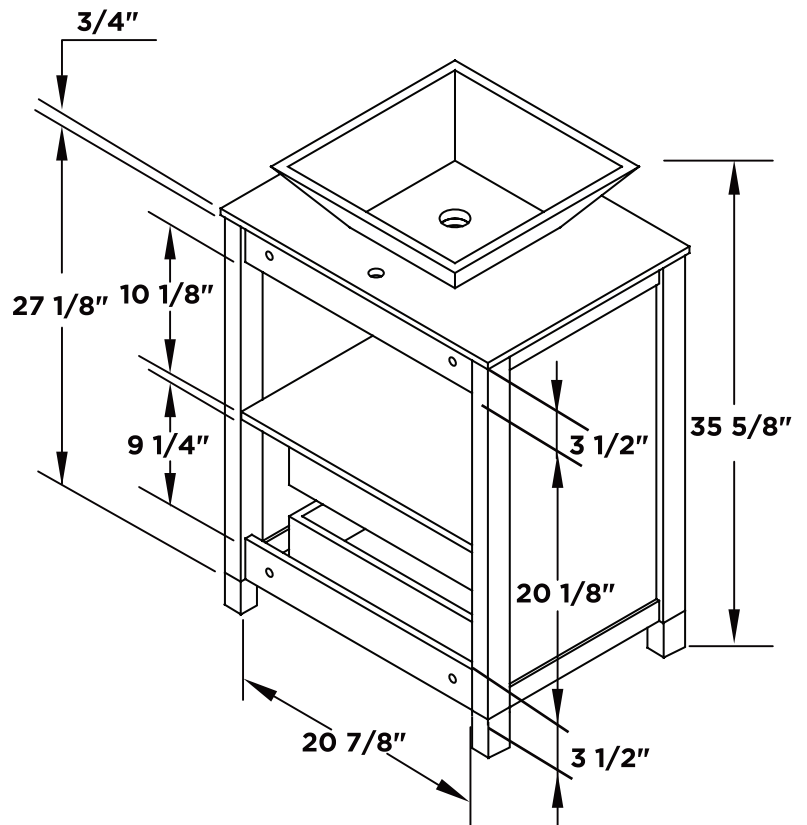
Mirror



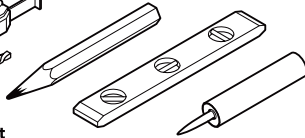
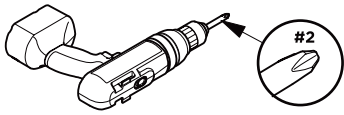
Vanity Front



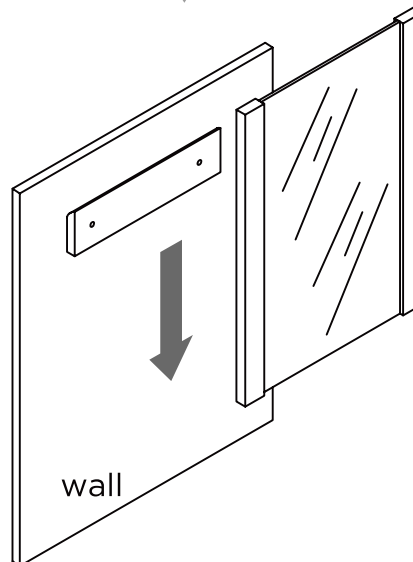
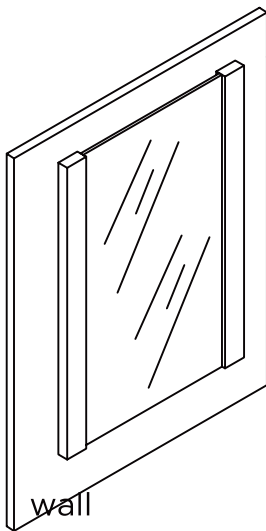
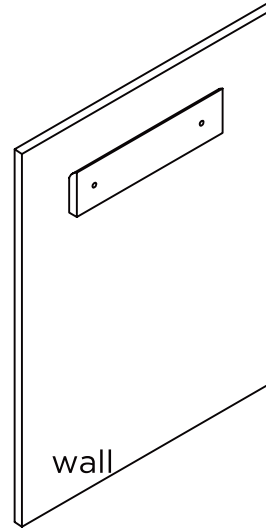
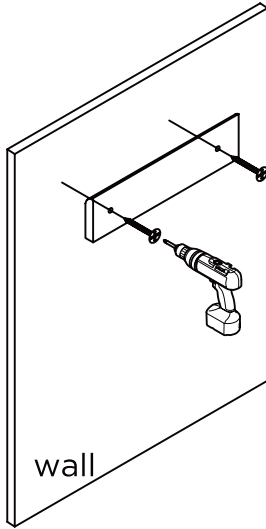
Vanity Back



TOOLS FOR ASSEMBLY

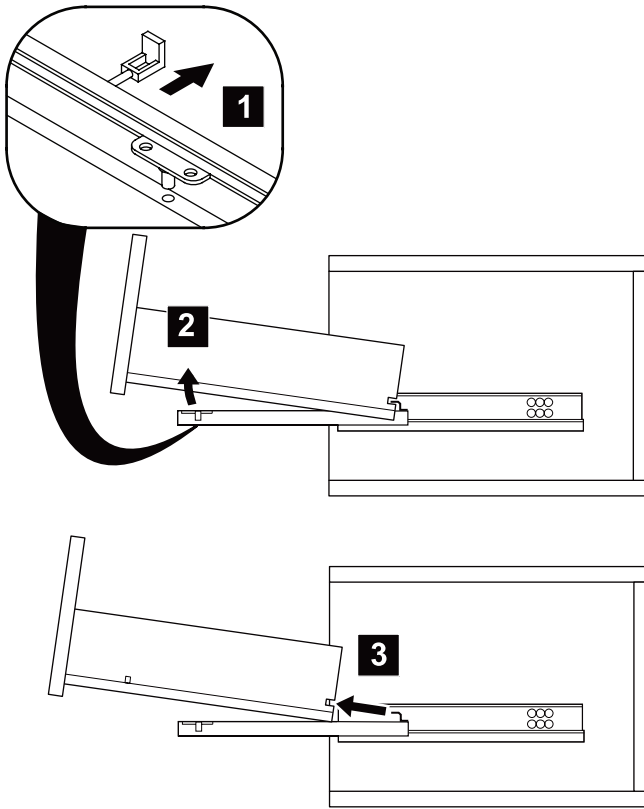


MIRROR INSTALLATION

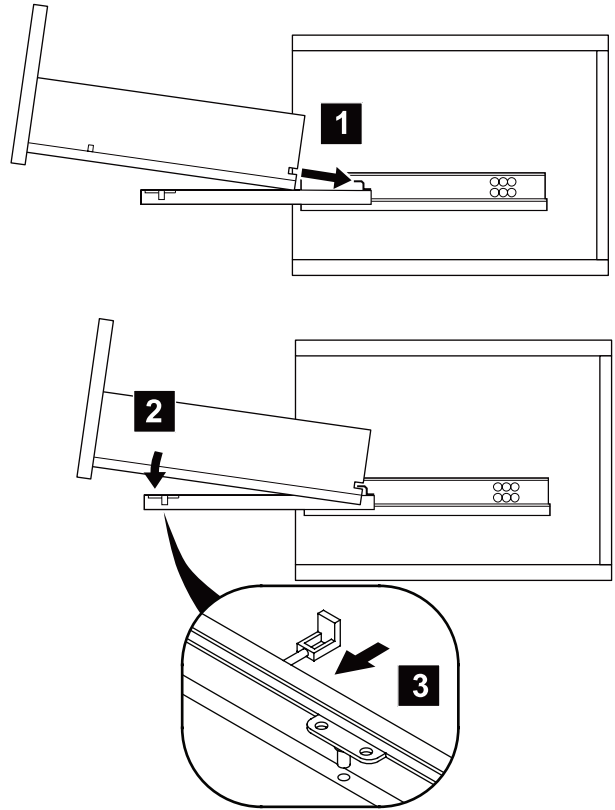


DRAWER REMOVAL & INSTALLATION

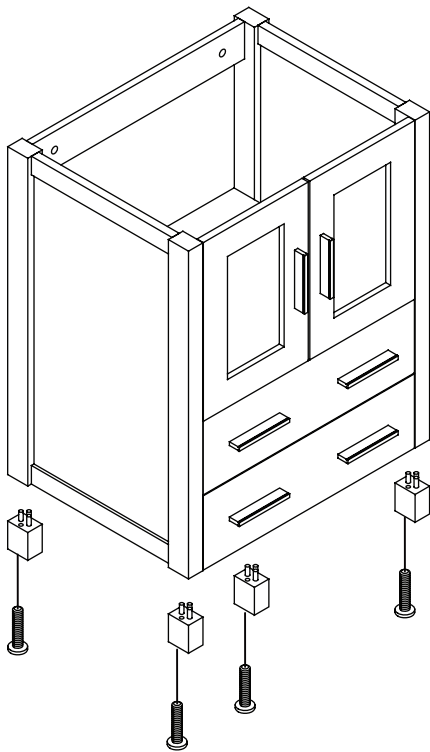
REMOVAL



INSTALLATION



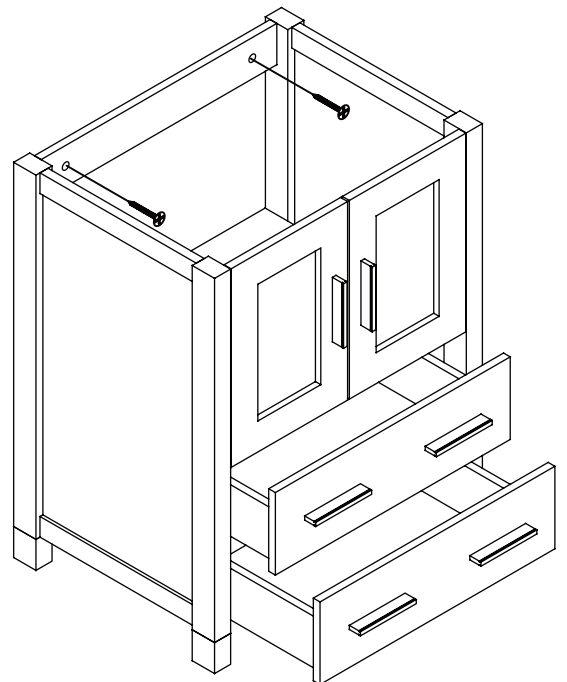
1 Install legs



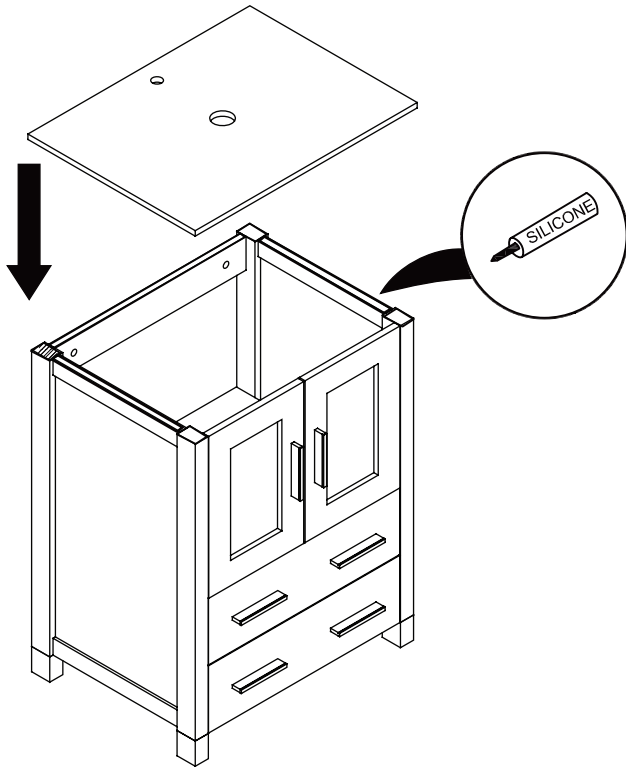
2 Remove drawer

3 Install cabinet

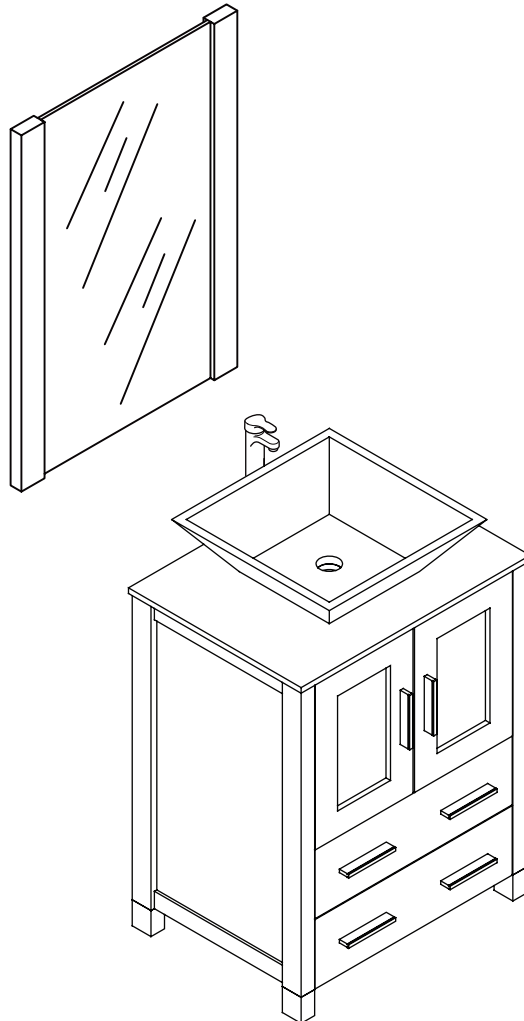
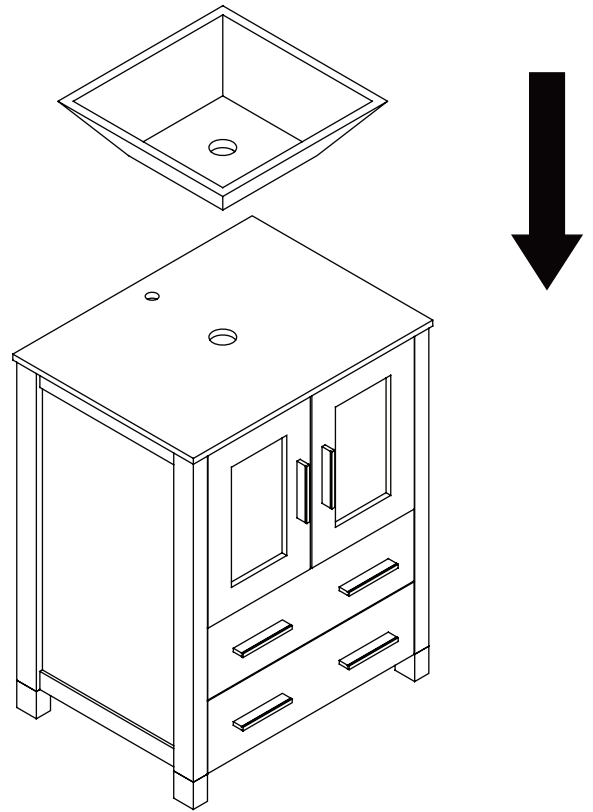
IMPORTANT: Consult an expert for the proper screws/bolts to use when attaching to various wall constructions. Screws provided do not attach to all wall construction types.



4 Install top panel



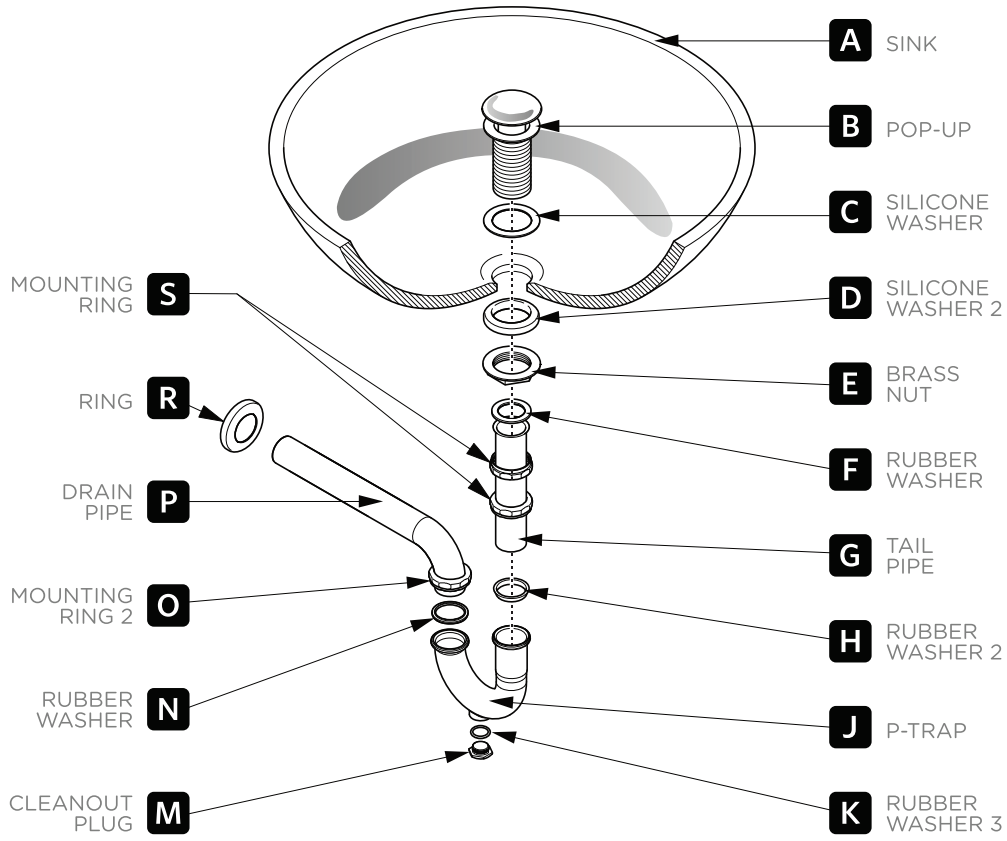
5 Install Sink



P-TRAP & POP-UP

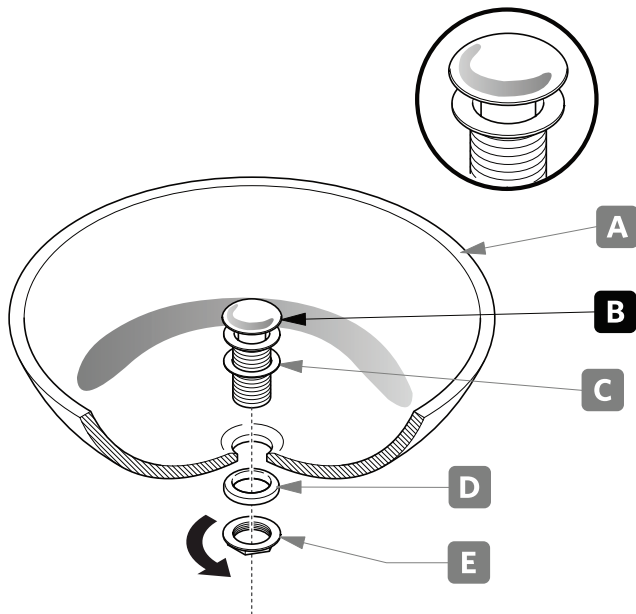
INSTALLATION INSTRUCTIONS

Your item may appear slightly different from the illustration.



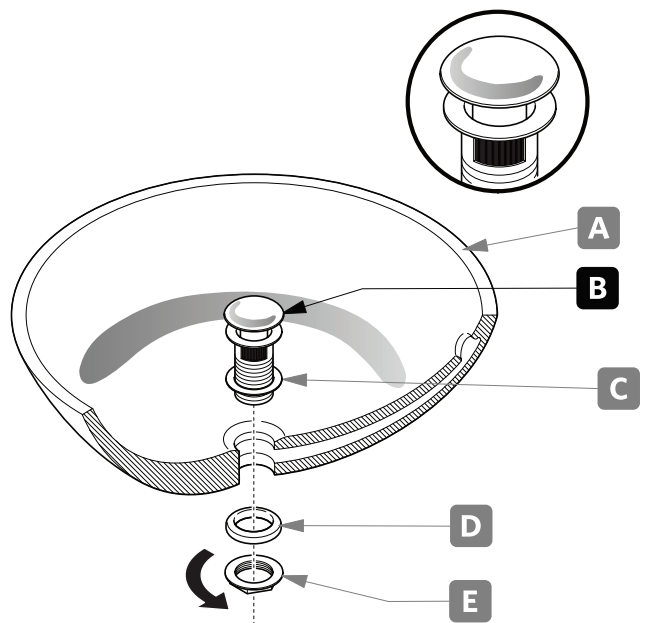
POP-UP INSTALLATION

FOR SINKS WITHOUT OVERFLOW



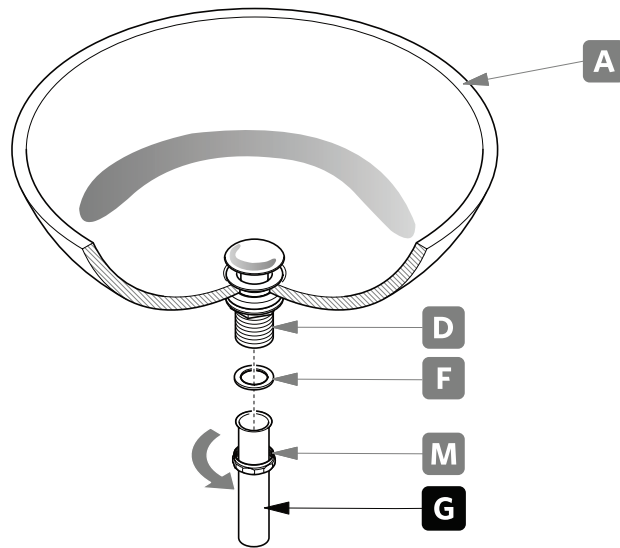
OR

FOR SINKS WITH OVERFLOW



P-TRAP INSTALLATION

1. Install tail pipe (**G**).



2. Install P-trap (**J**).

