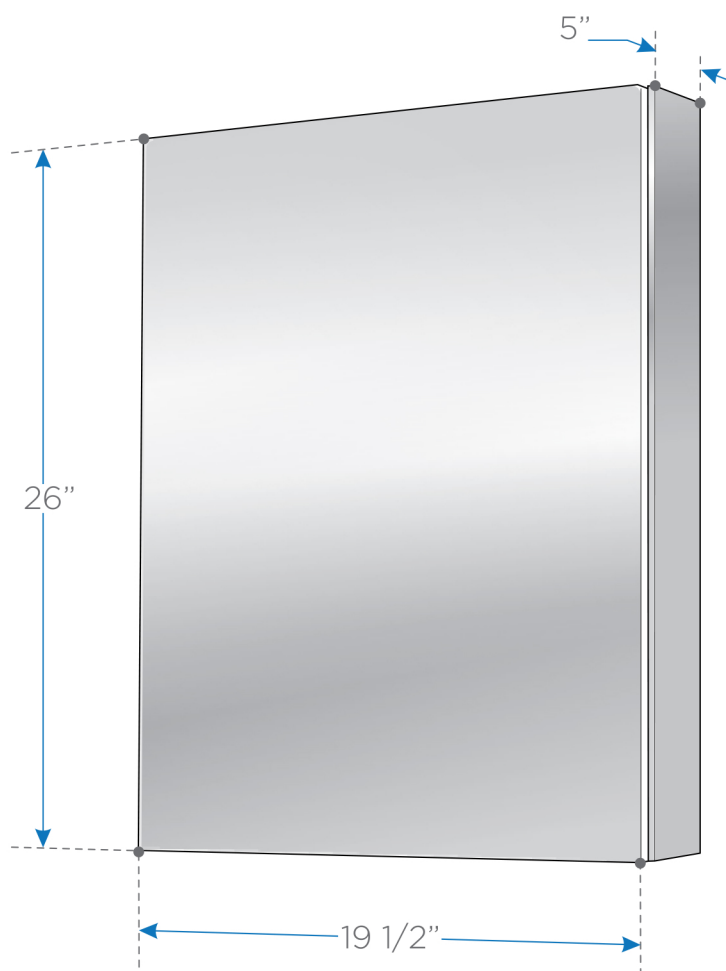


FMC8058

Bathroom Medicine Cabinet w/Mirrors



Installation Type:

- Recessed / Surface Mounted

BOX DIMENSIONS: L34" W26" H12" G.W.31 3/8LB

