

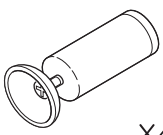
FVN3319

CONTENTO

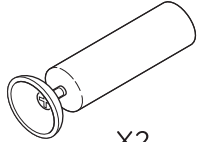
INSTALLATION GUIDE



PARTS:



X4



X2



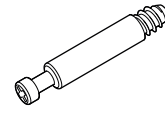
X4



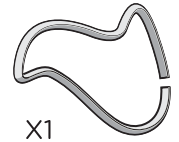
X6



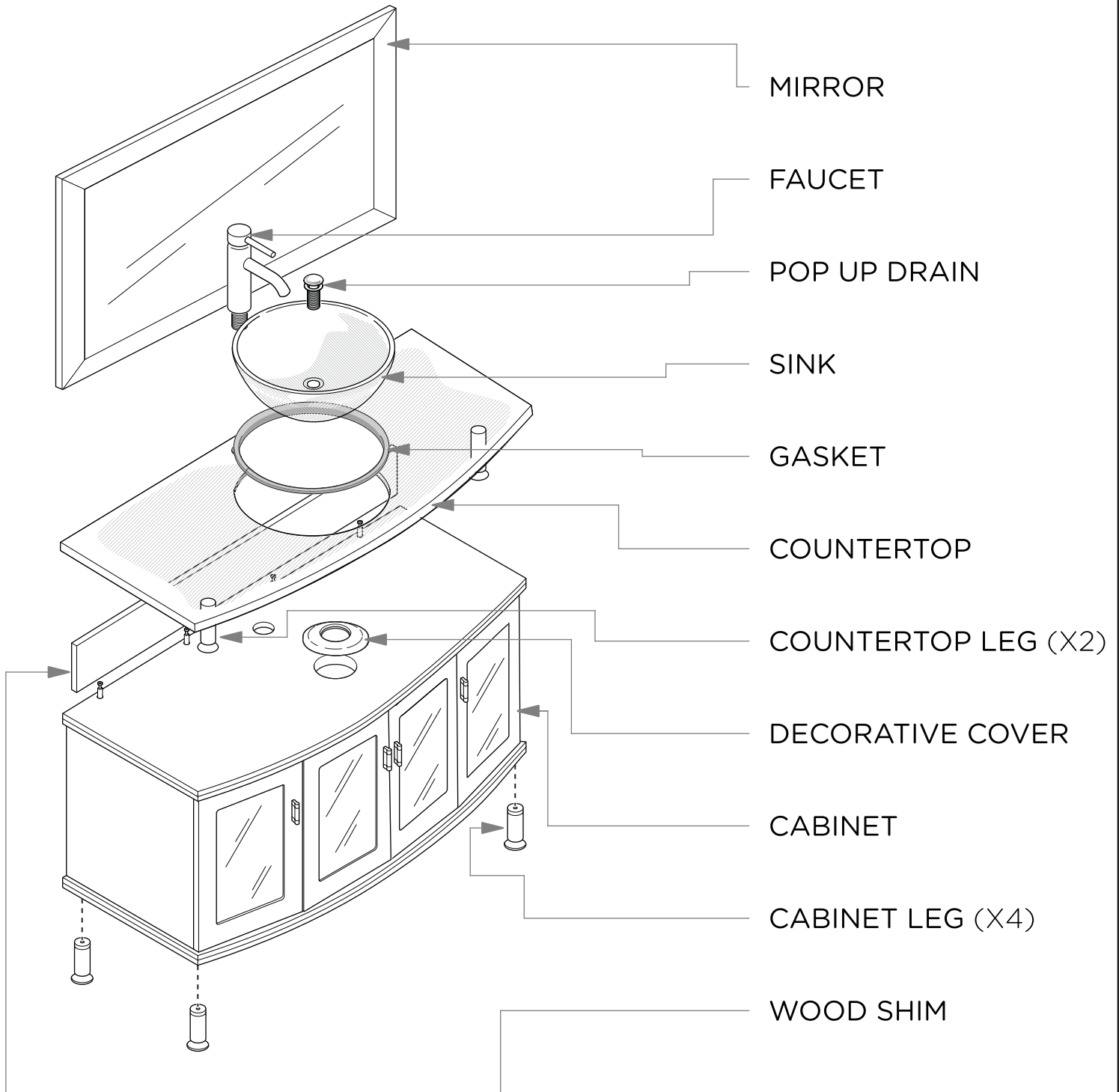
X1



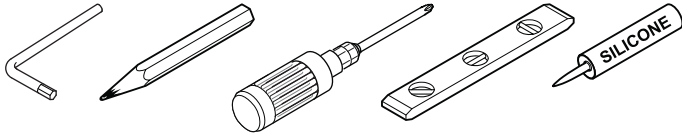
X4



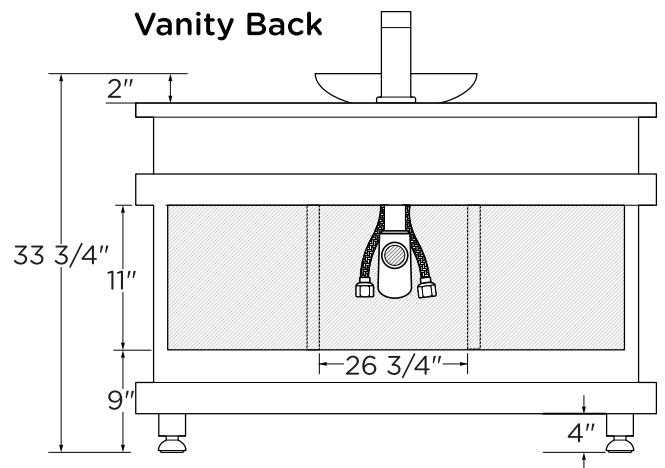
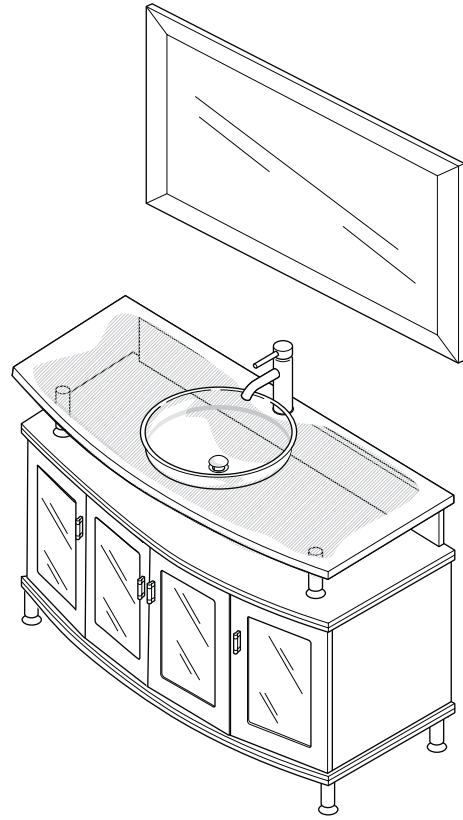
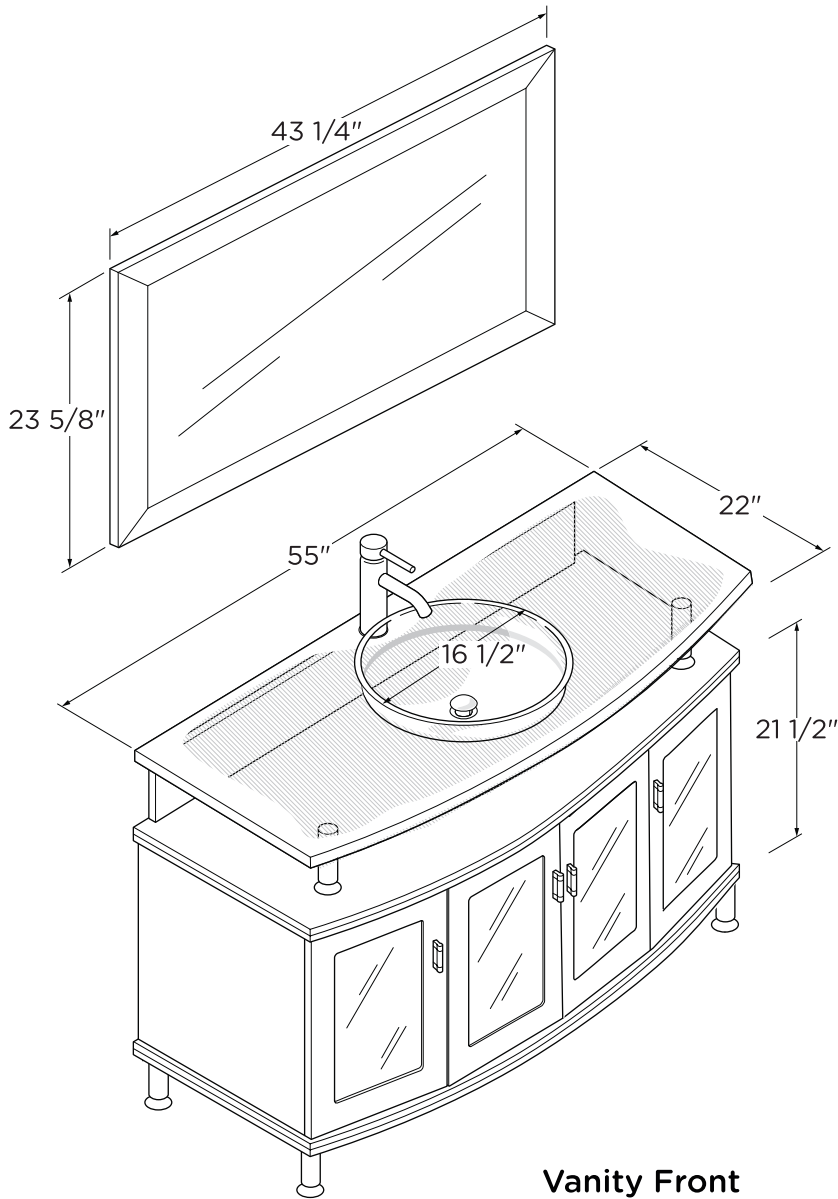
X1



TOOLS REQUIRED FOR ASSEMBLY



DIMENSIONS:

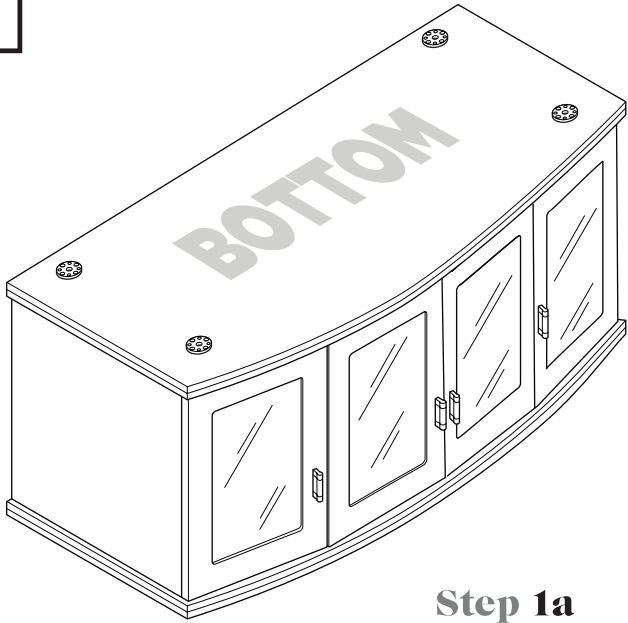


Note:

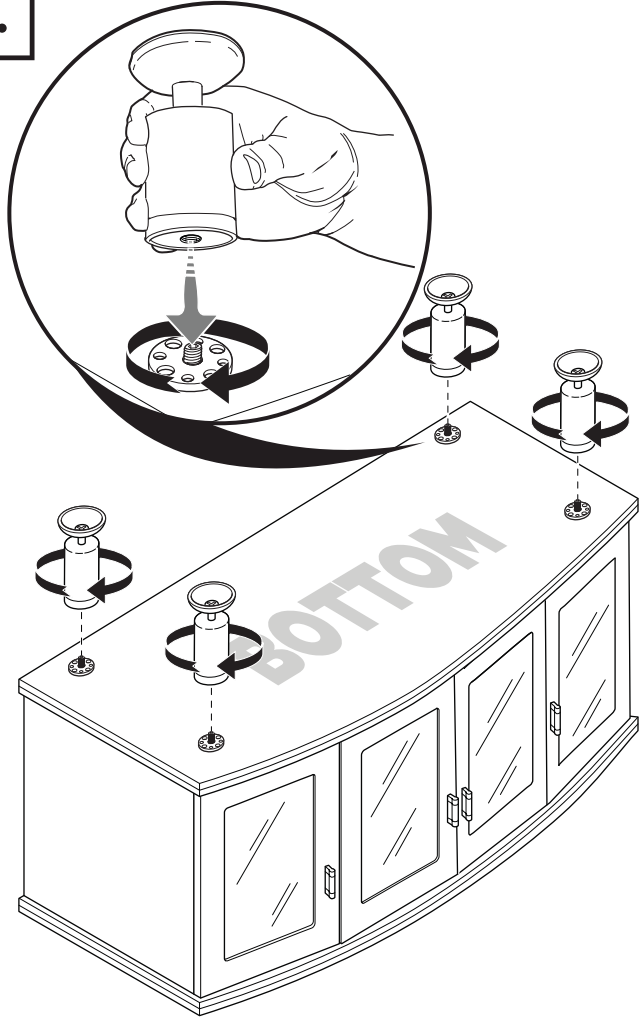
All dimensions & specifications are approximate and subject to change without notice.

LEGS INSTALLATION:

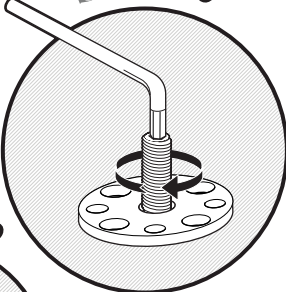
1.



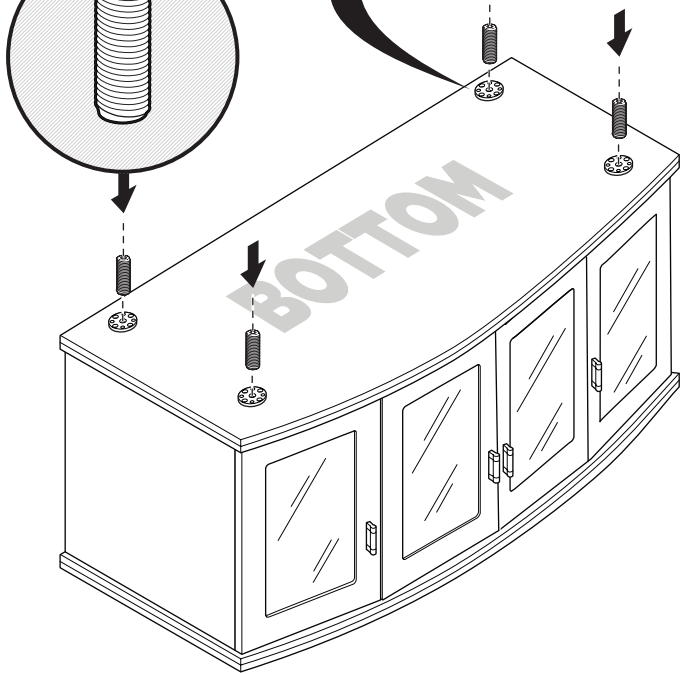
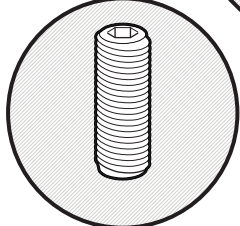
2.



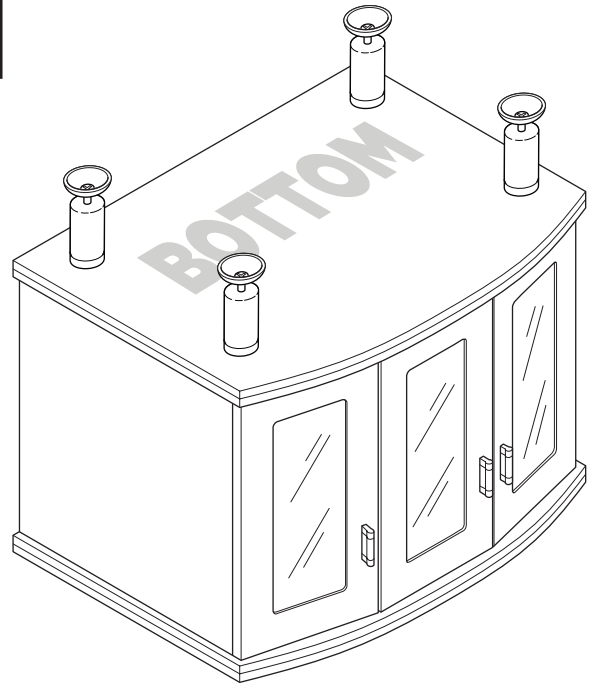
Step 1c



Step 1b

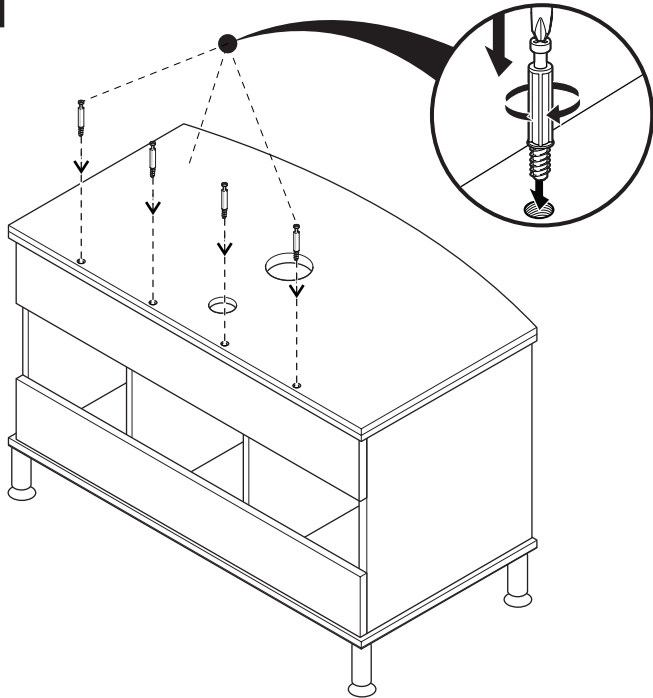


3.



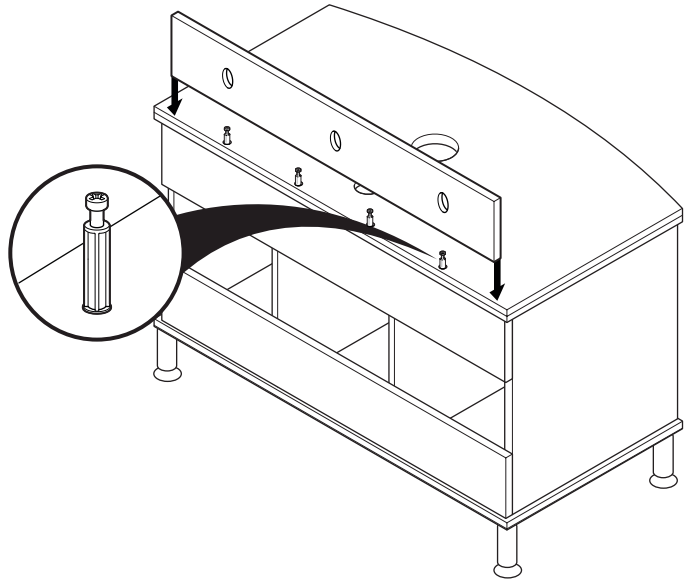
WOOD SHIM INSTALLATION:

1.



Vanity Back

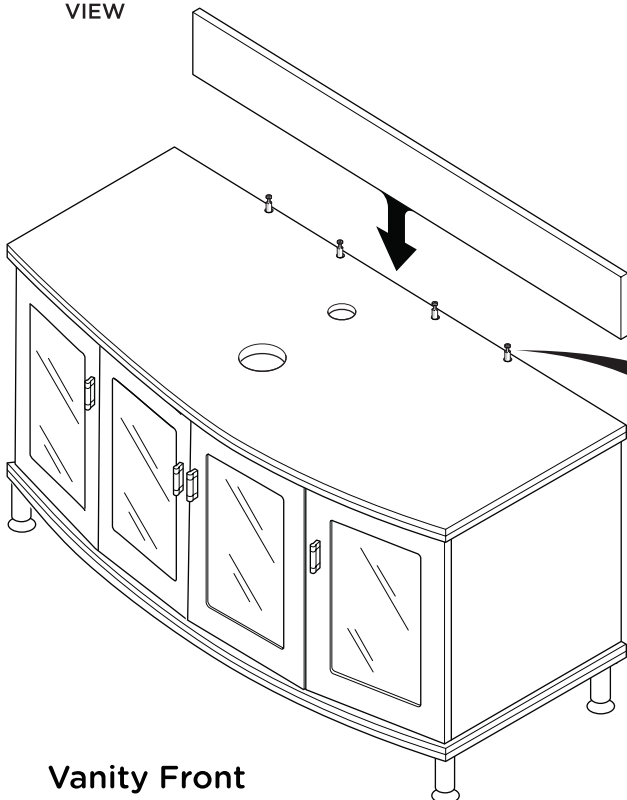
2.



Vanity Back

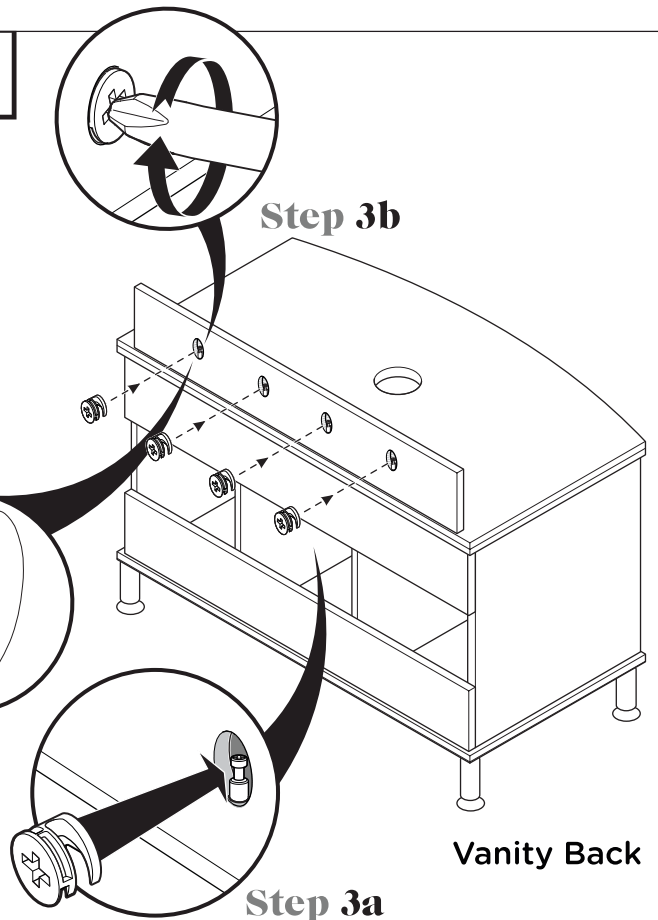
2.

Step 2
FRONT VIEW



Vanity Front

3.

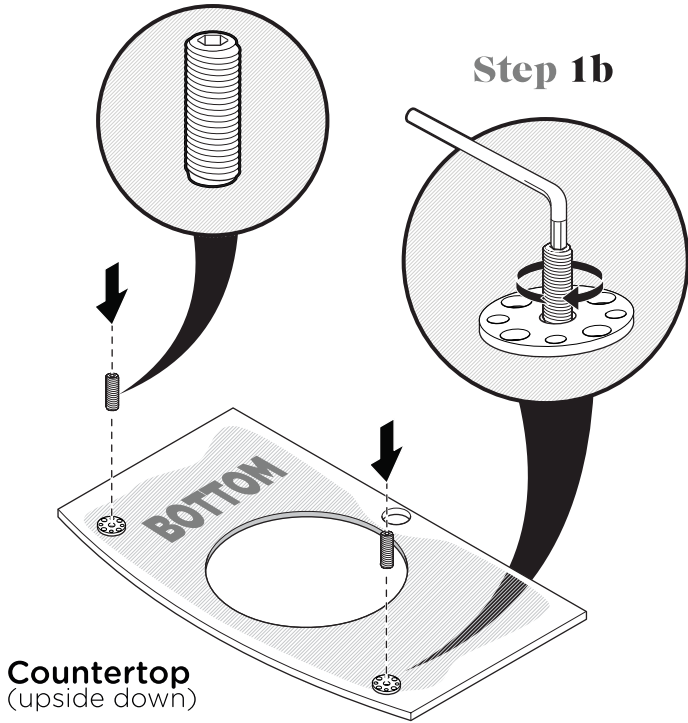


Vanity Back

COUNTERTOP INSTALLATION:

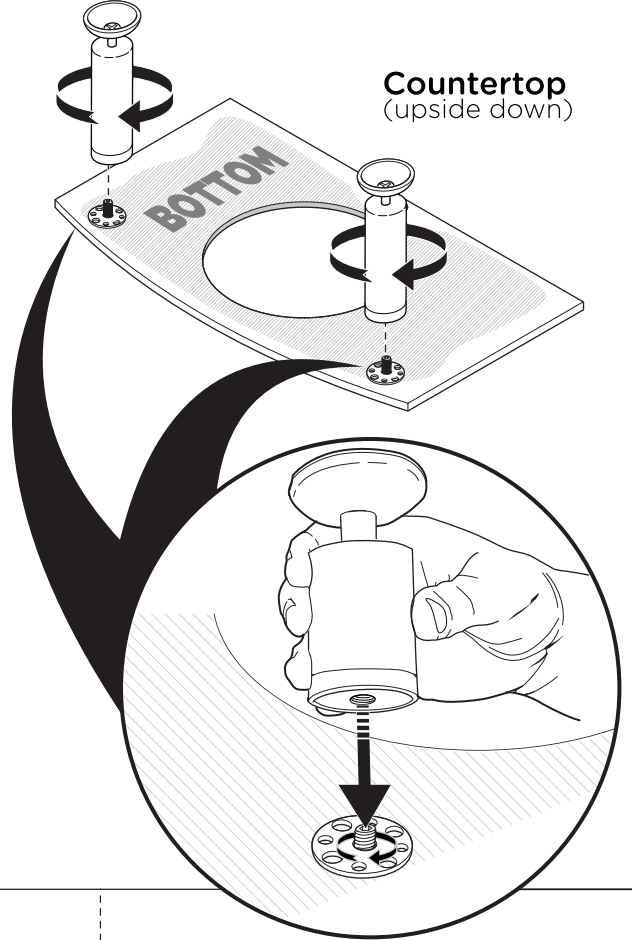
1. Step 1a

Step 1b



2.

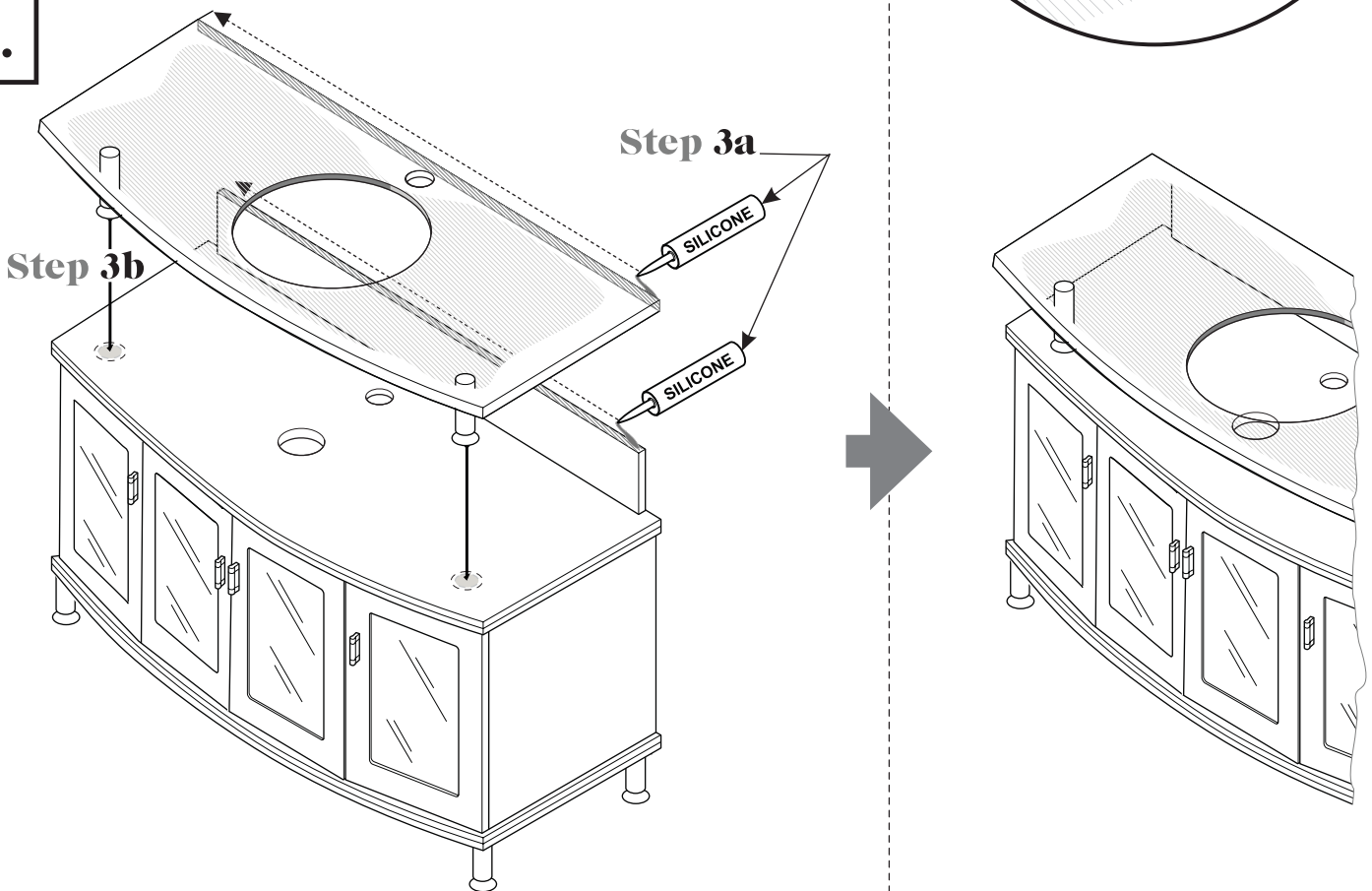
Countertop (upside down)



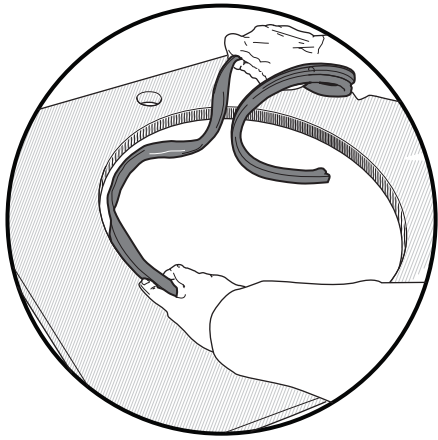
3.

Step 3a

Step 3b

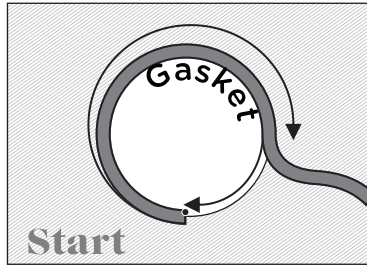


GASKET & SINK INSTALLATION:

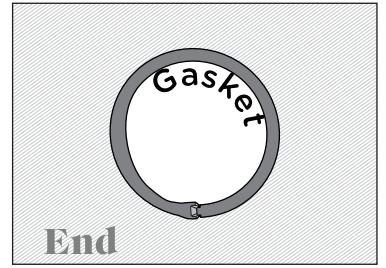


Step 1

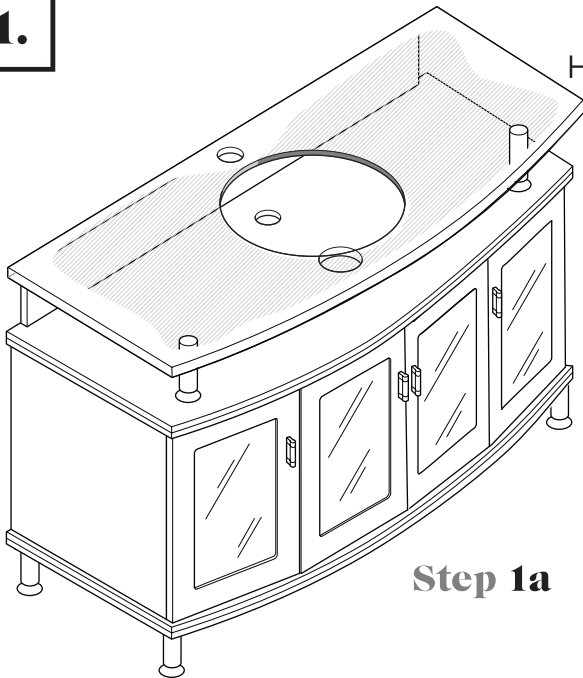
Countertop (Top View)



Countertop (Top View)

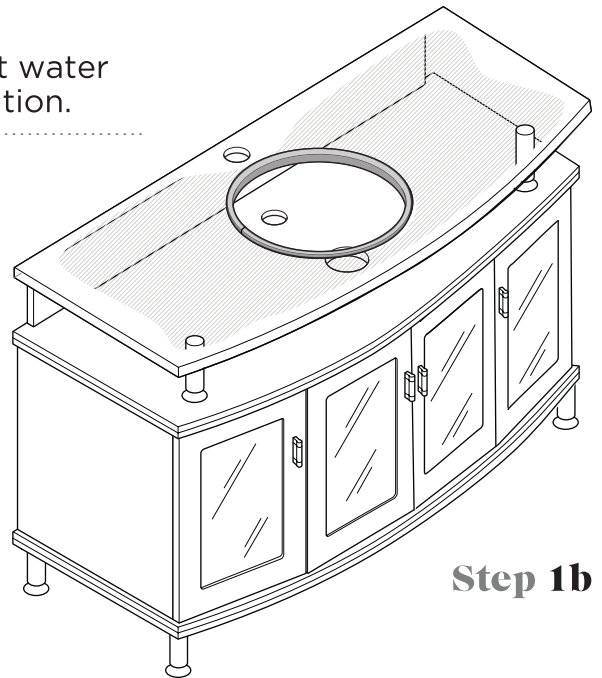


1.



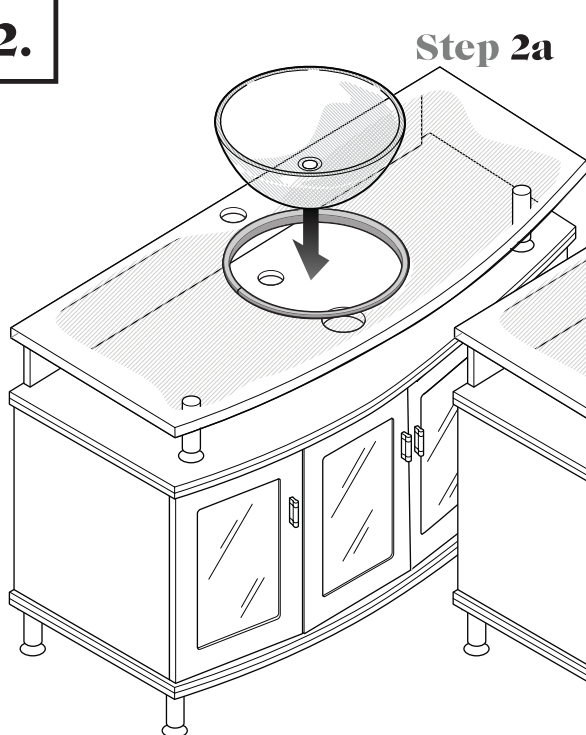
Step 1a

NOTE
Heat gasket in hot water
for easy installation.

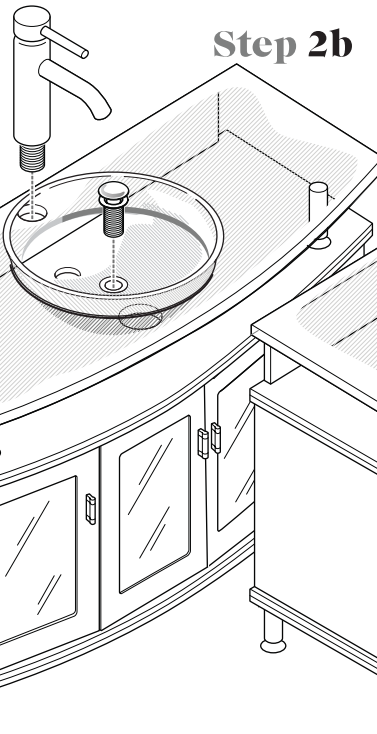


Step 1b

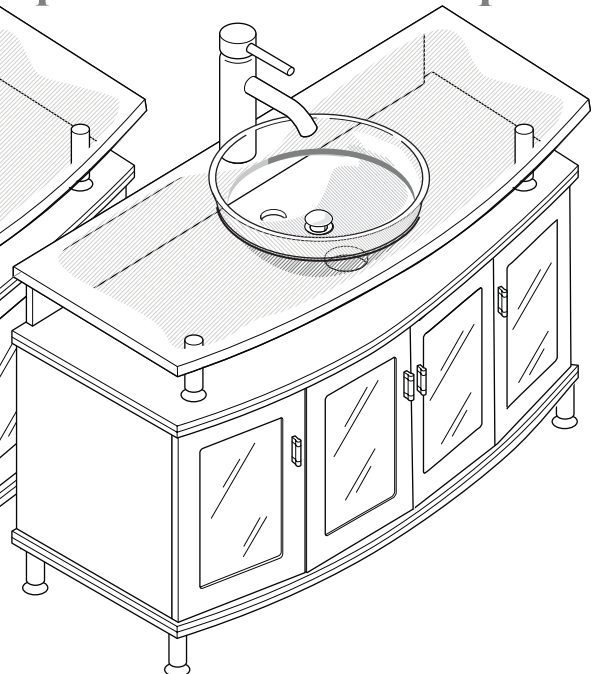
2.



Step 2a



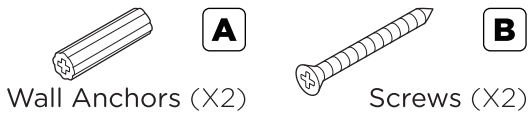
Step 2b



Step 2c

MIRROR INSTALLATION:

PARTS

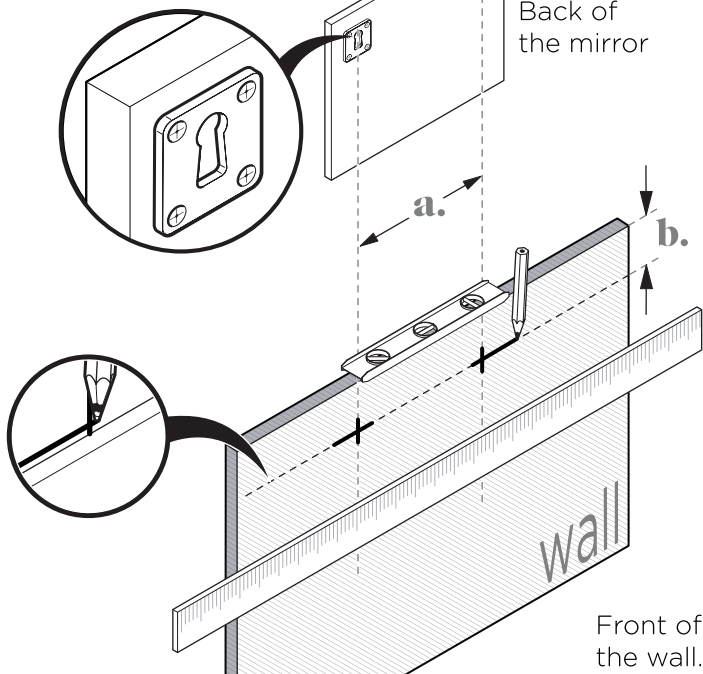


TOOLS FOR ASSEMBLY



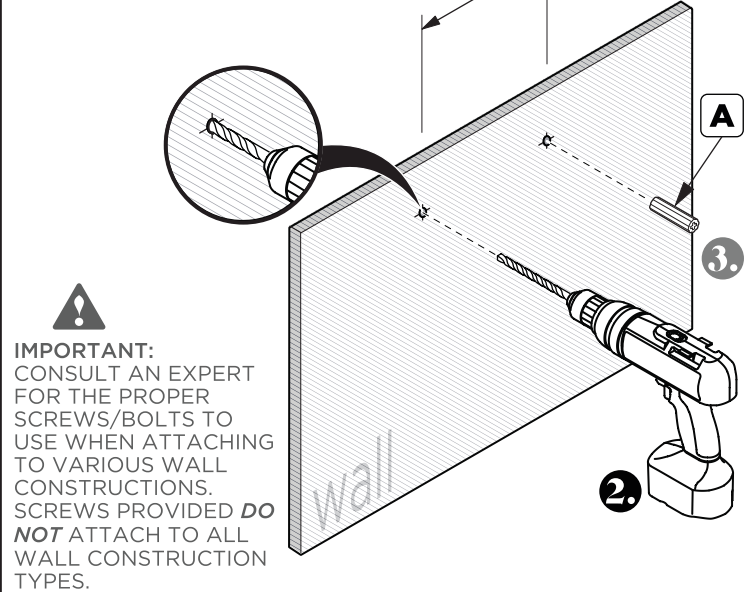
1. Measure distance between both keyhole cutouts and mark the center points.

Keyhole Cutout



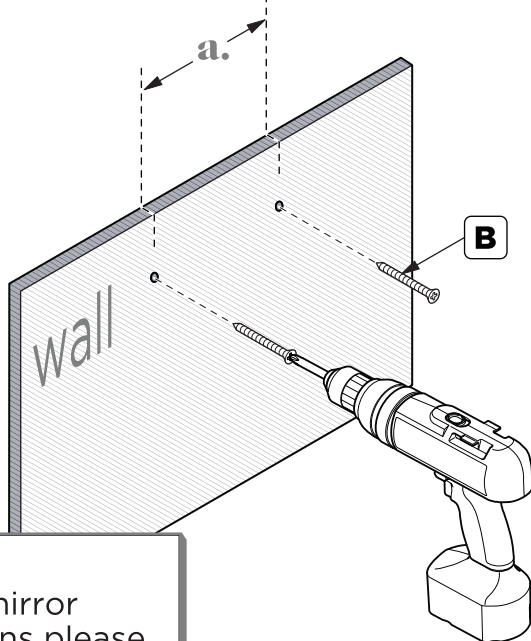
2. Drill marked location of the screws on the wall.

3. Insert the wall anchors (if applicable).



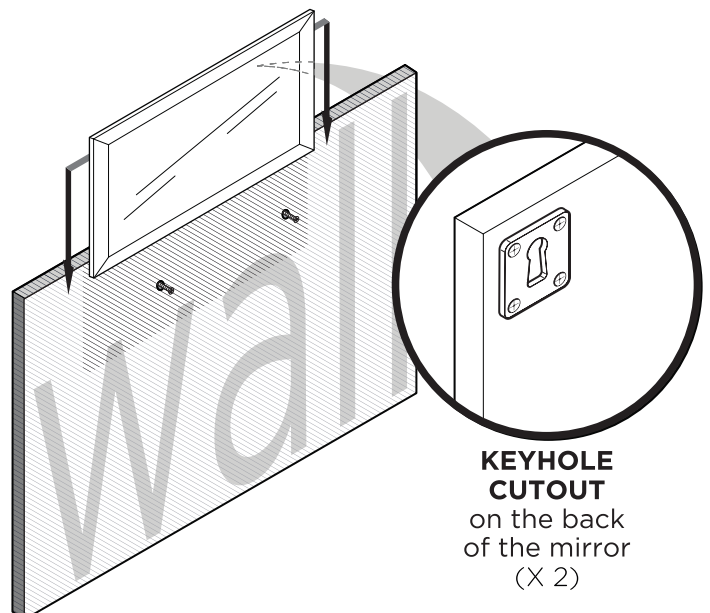
Note: Use anchors (A) only if stud (2"x4" frame) is not available.

4. Attach screws using a drill or screwdriver.



Note: For the mirror dimensions please see PAGE 2.

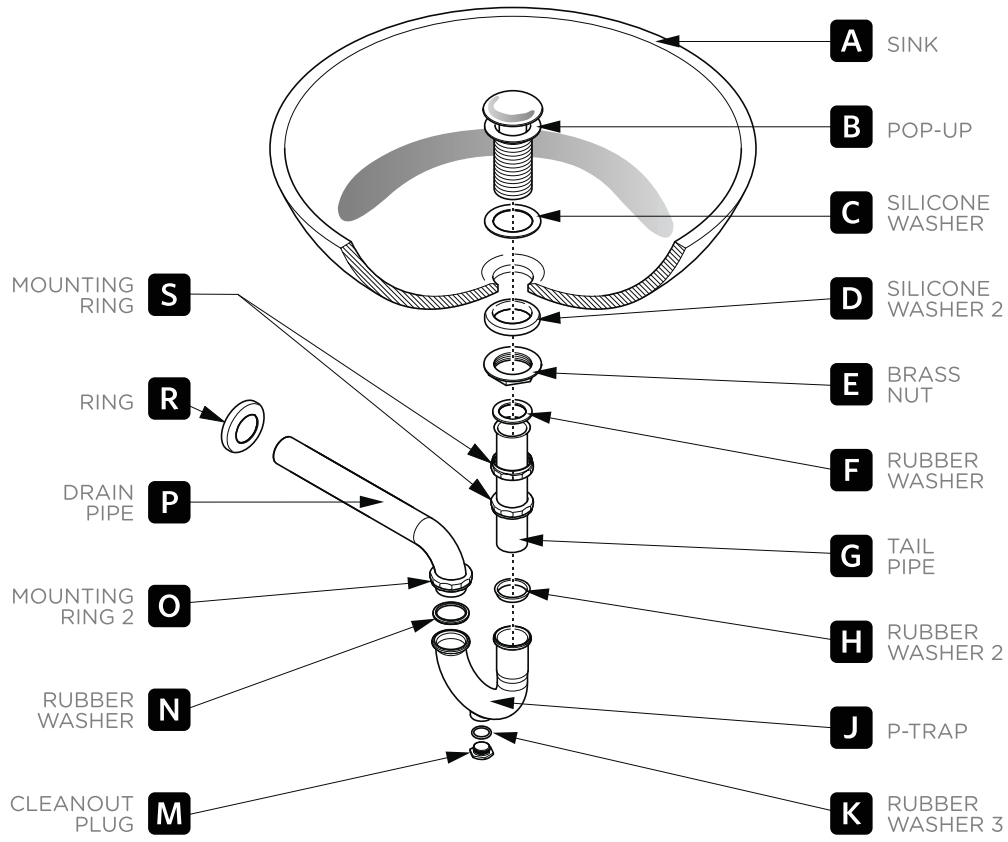
5. Hang up the mirror by placing each keyhole cutout securely over the screws.



P-TRAP & POP-UP

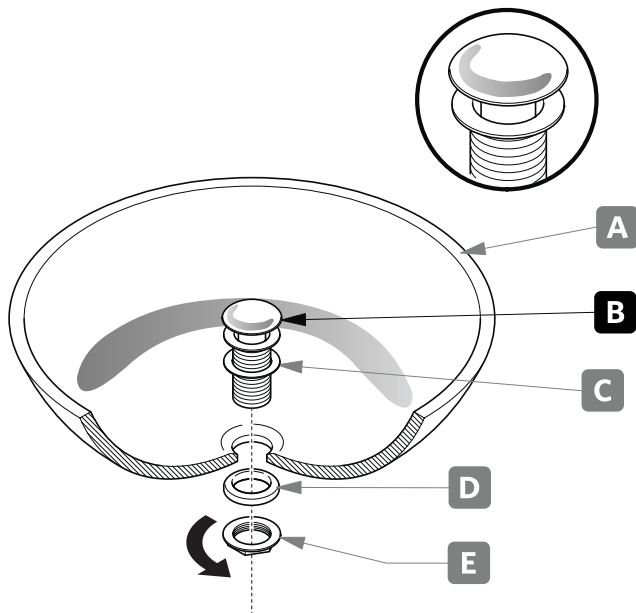
INSTALLATION INSTRUCTIONS

YOUR ITEM MAY APPEAR SLIGHTLY DIFFERENT FROM THE ILLUSTRATION.



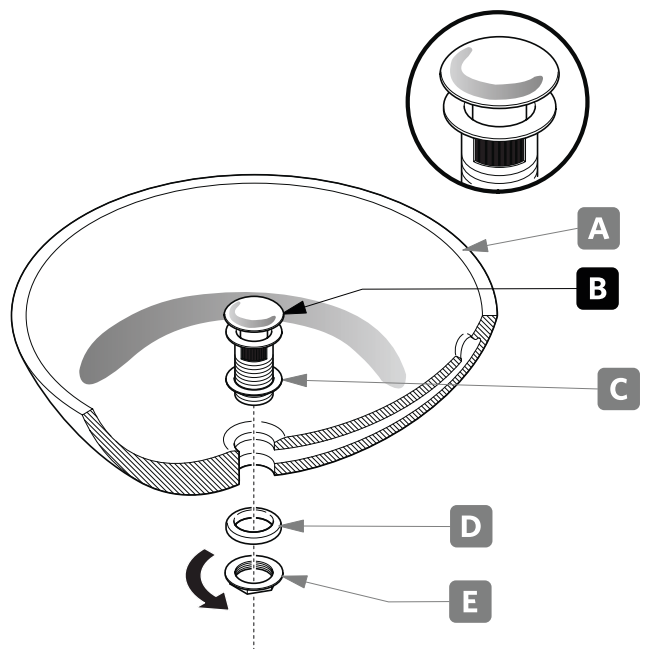
POP-UP INSTALLATION

FOR SINKS WITHOUT OVERFLOW



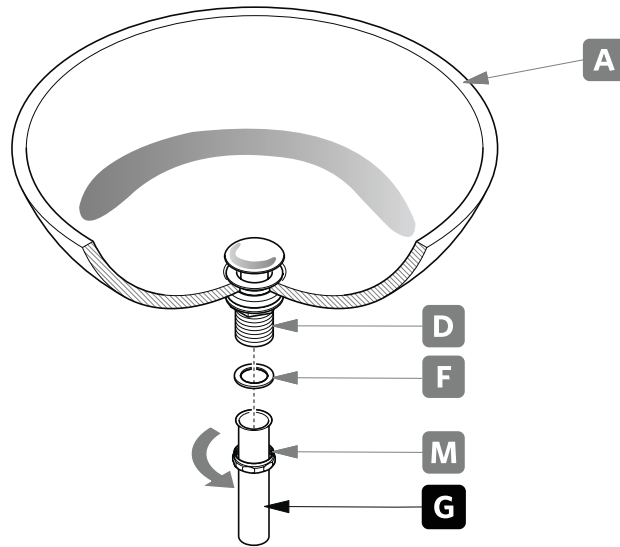
OR

FOR SINKS WITH OVERFLOW



P-TRAP INSTALLATION

1. Install tail pipe (**G**).



2. Install P-trap (**J**).

