



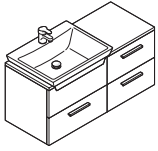
FVN6163

CARO

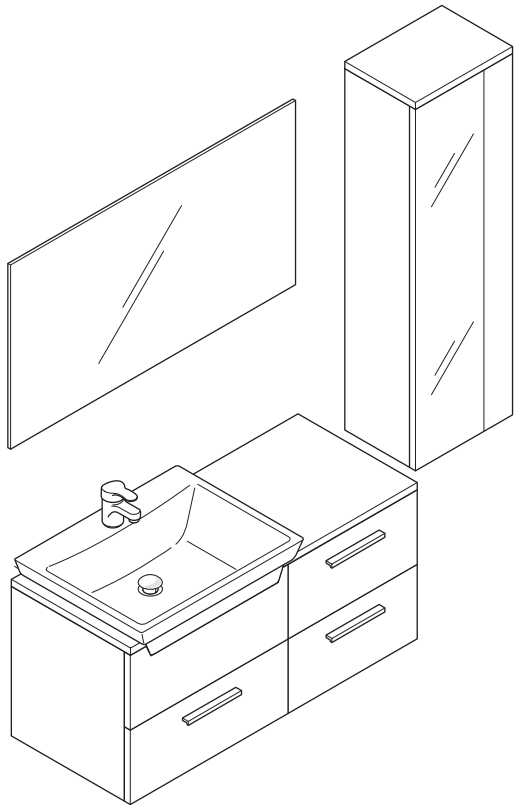
INSTALLATION GUIDE

CONTENTS:

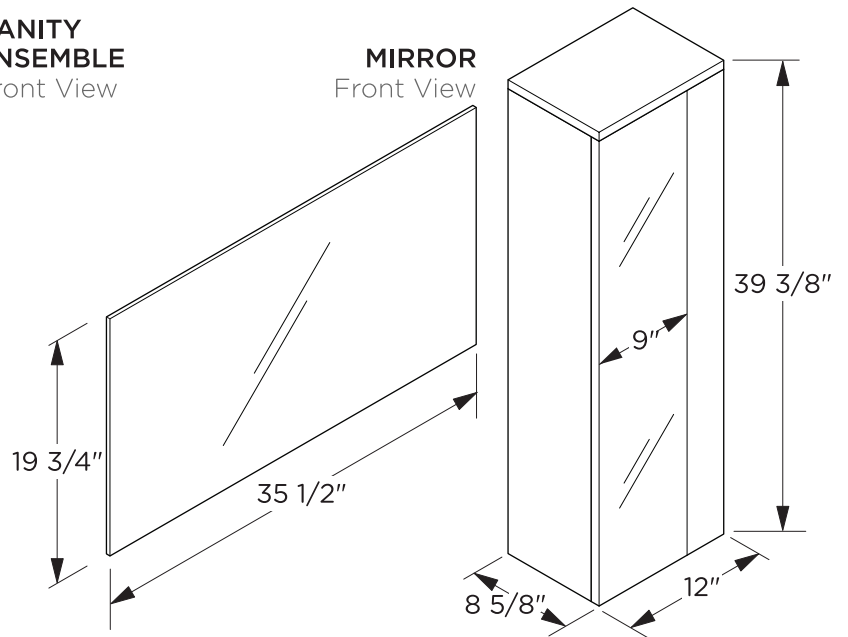
Cabinet.....	(FCB6163).....	PAGE 3
Sink.....	(FVS6163).....	PAGE 3
Mirror.....	(FMR6163).....	PAGE 3
Side Cabinet.....	(FST6163).....	PAGE 3



FVN6163
CARO
INSTALLATION GUIDE

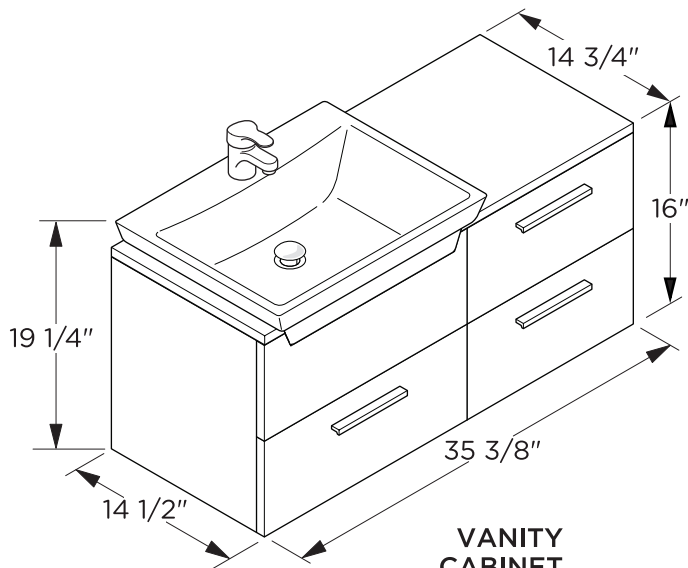


VANITY ENSEMBLE
Front View

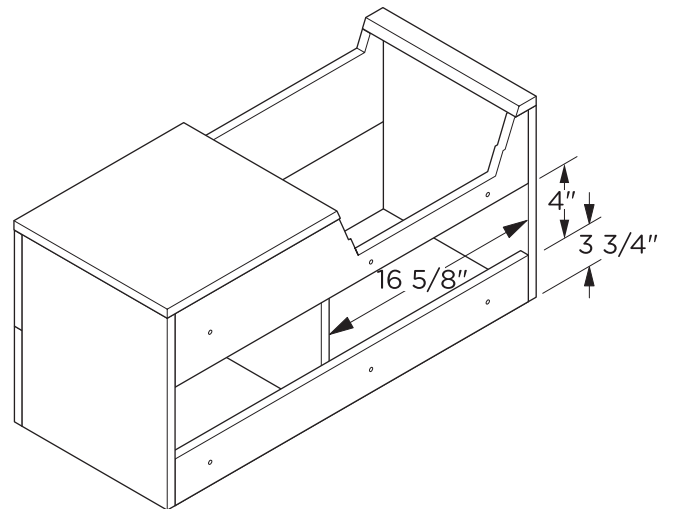


MIRROR
Front View

MIRRORED SIDE CABINET
Front View



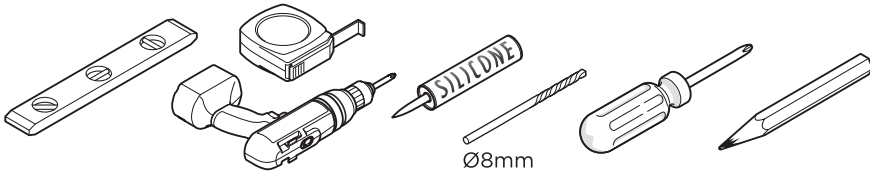
VANITY CABINET
Front View



VANITY CABINET
Rear View

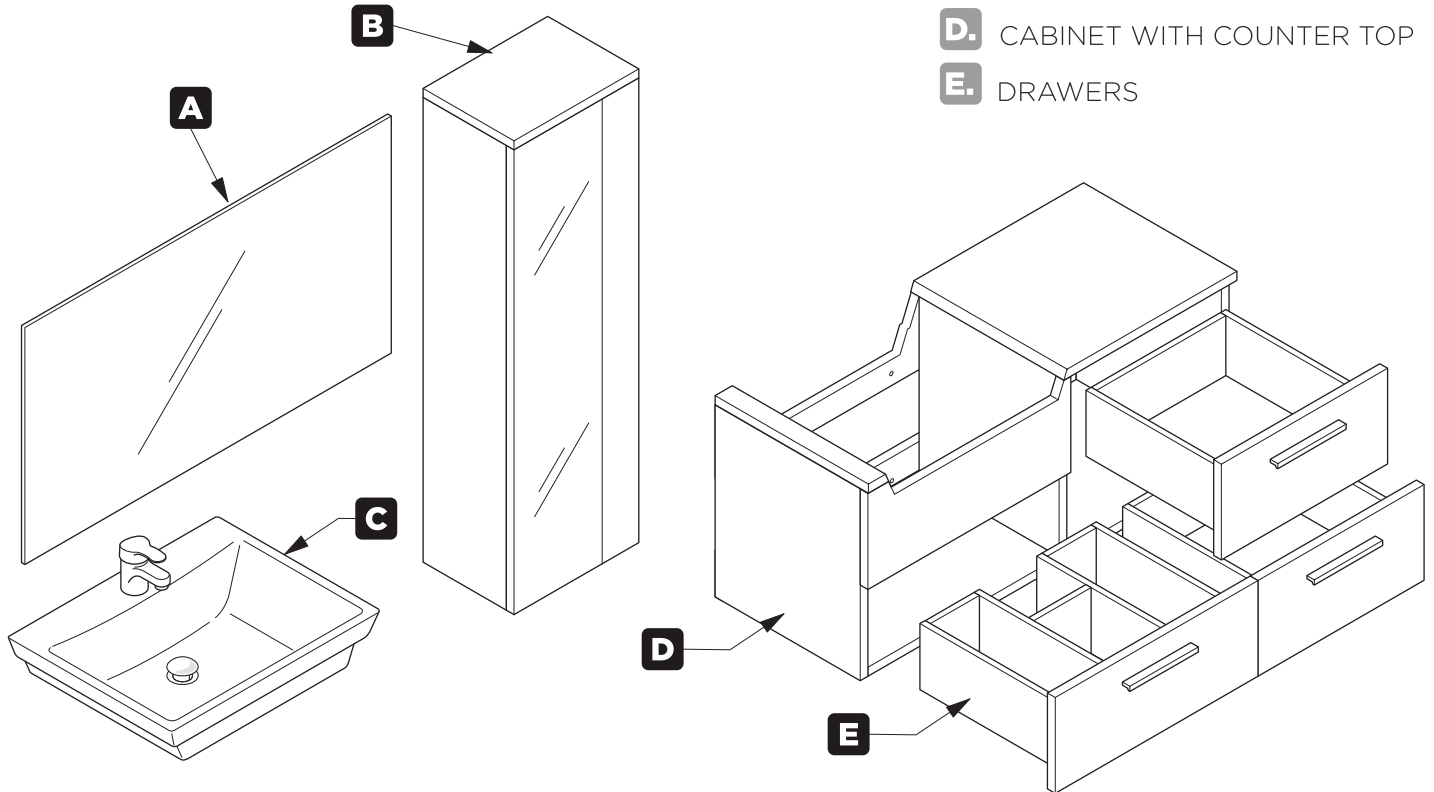
NOTE: ALL DIMENSIONS & SPECIFICATIONS ARE APPROXIMATE AND SUBJECT TO CHANGE WITHOUT NOTICE.

TOOLS REQUIRED FOR INSTALLATION:



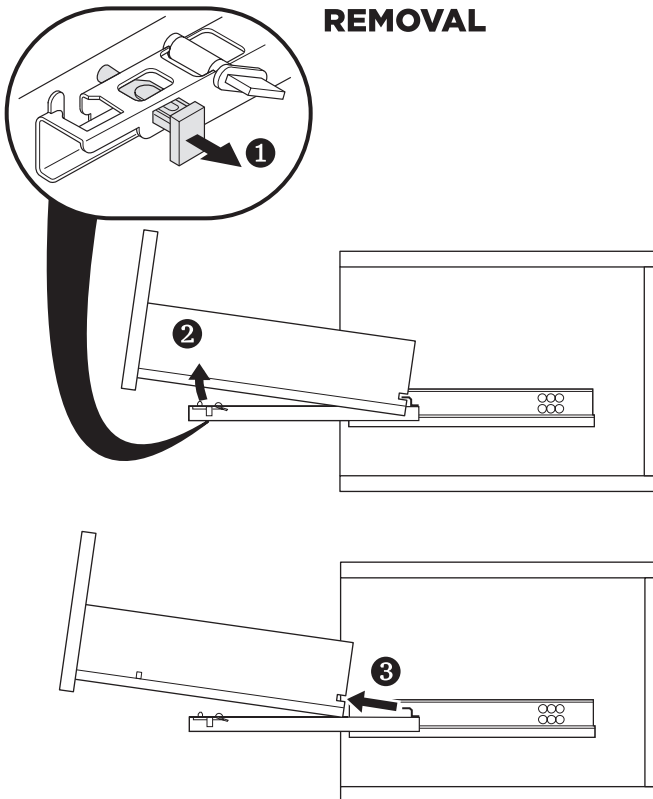
PARTS

- A.** MIRROR
- B.** MIRRORED SIDE CABINET
- C.** SINK
- D.** CABINET WITH COUNTER TOP
- E.** DRAWERS

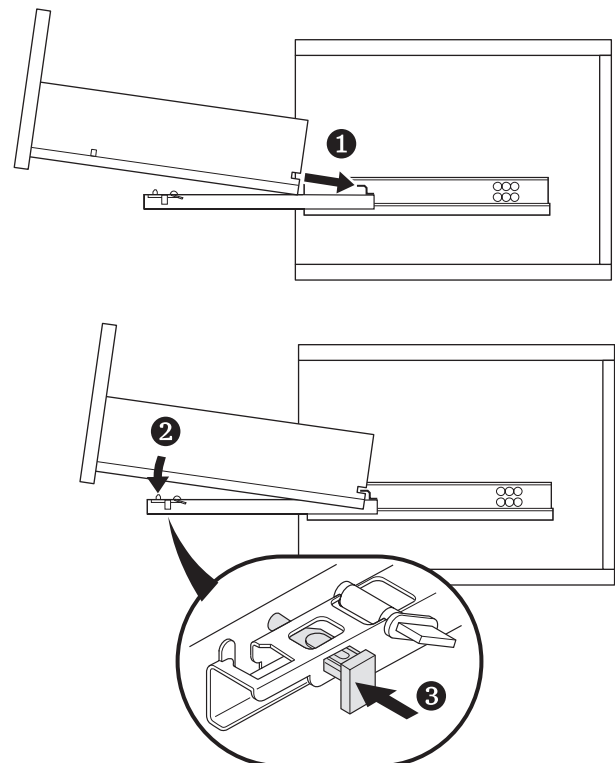


DRAWER REMOVAL & INSTALLATION

REMOVAL



INSTALLATION



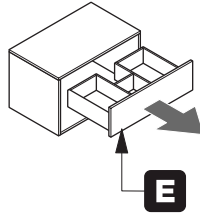
FVN6163

CARO

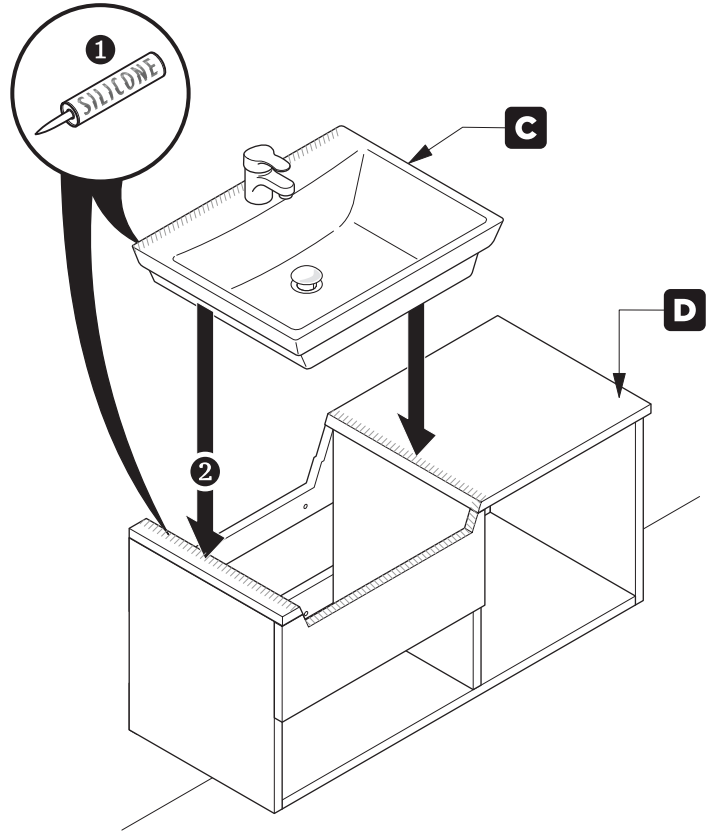
INSTALLATION GUIDE

PAGE 2

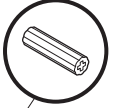
- 1.** Remove the drawers (**E**).
(For more details see pg.2).



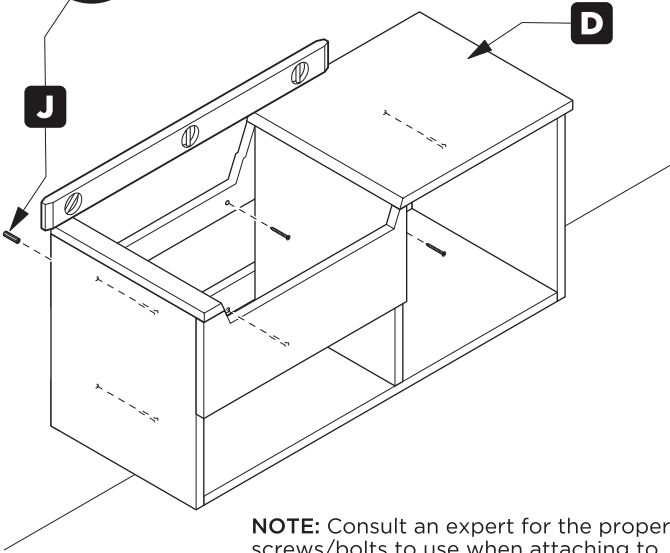
- 3.** Apply silicone and place sink (**C**) on it.



- 2.** Connect cabinet (**D**) to the wall.

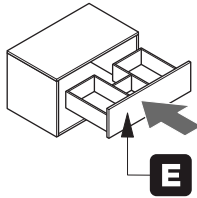


NOTE:
Only use anchors (**J**)
if stud is not available.



NOTE: Consult an expert for the proper screws/bolts to use when attaching to various constructions. Screws provided do not attach to all wall construction types.

- 4.** Insert the drawers back.
(For more details see pg.2).



- 5.** Open the door and repeat **STEP 2**
for side cabinet (**B**) (SEE ILLUSTRATION 1).

Insert 2 screws in the wall (SEE ILLUSTRATION 2)
with a drill and hang mirror (**A**) on it.

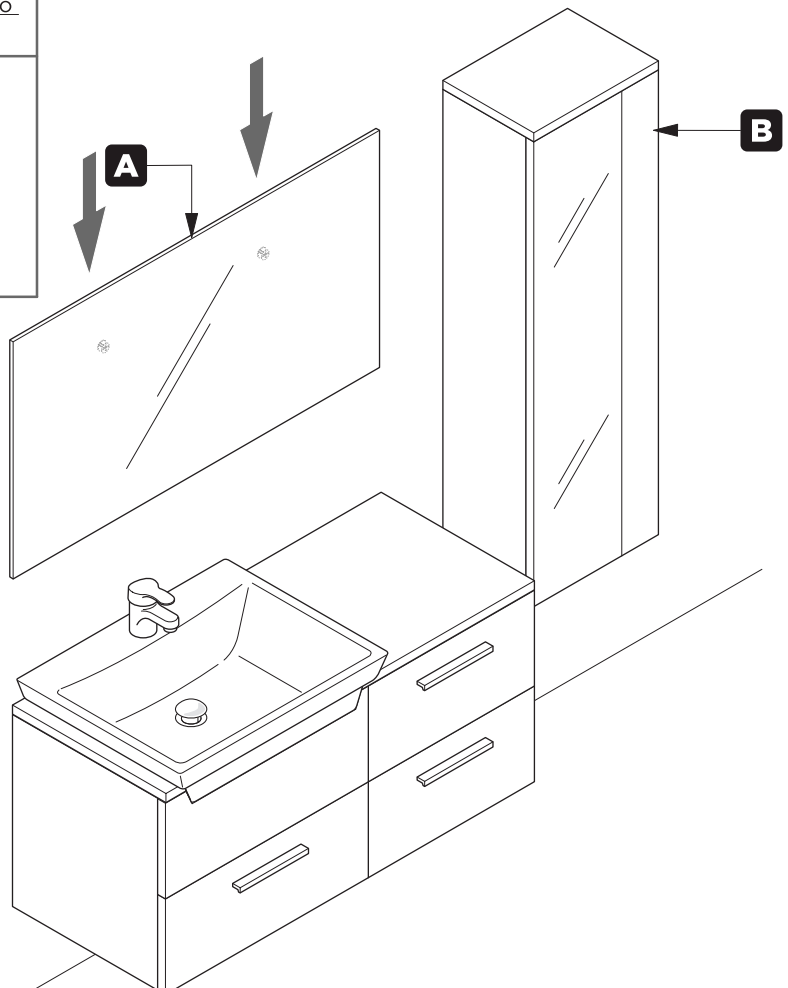


ILLUSTRATION 2

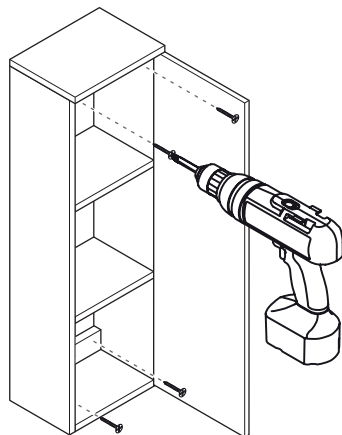
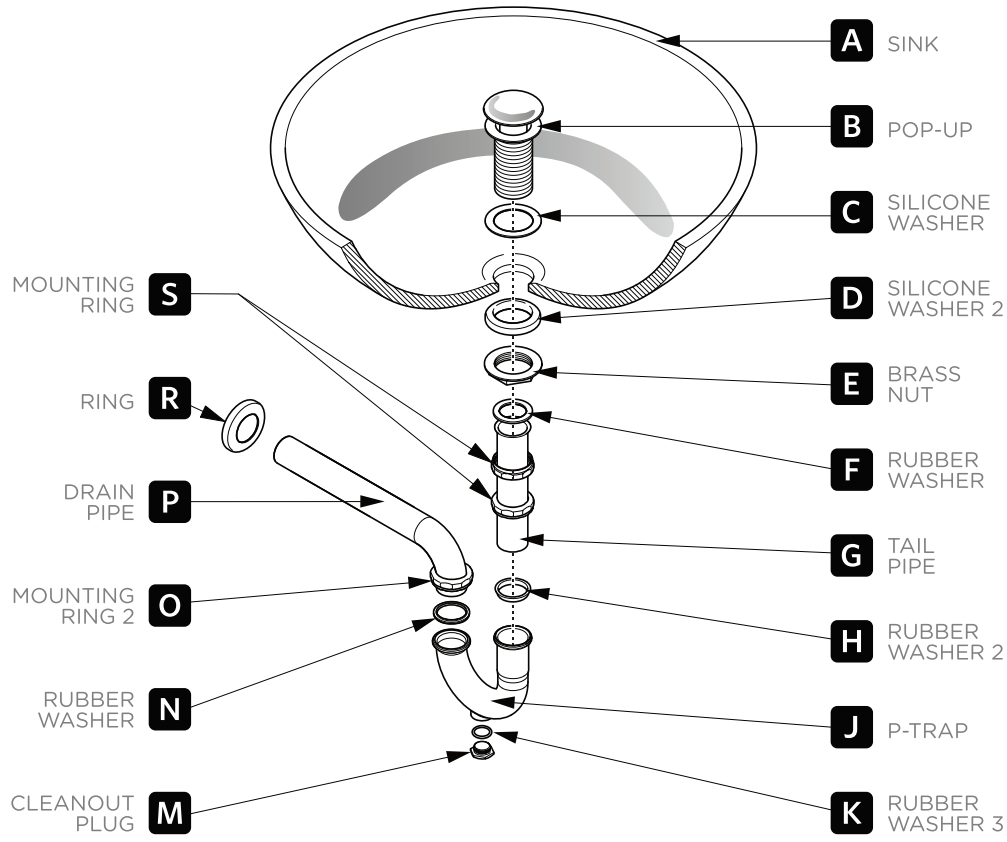


ILLUSTRATION 1

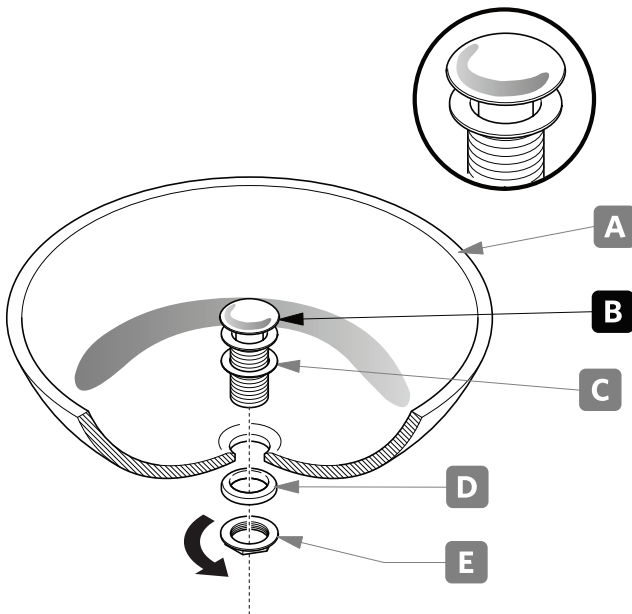
P-TRAP & POP-UP INSTALLATION INSTRUCTIONS

Your item may appear slightly different from the illustration.



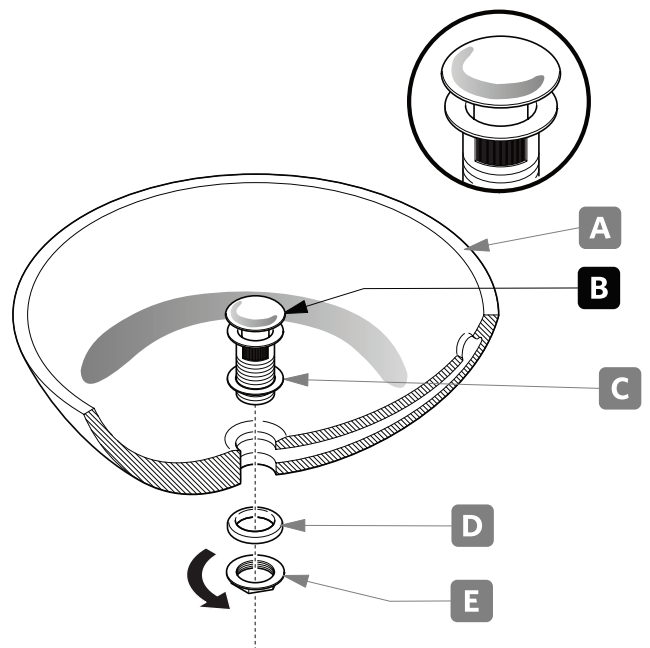
POP-UP INSTALLATION

**FOR SINKS
WITHOUT OVERFLOW**



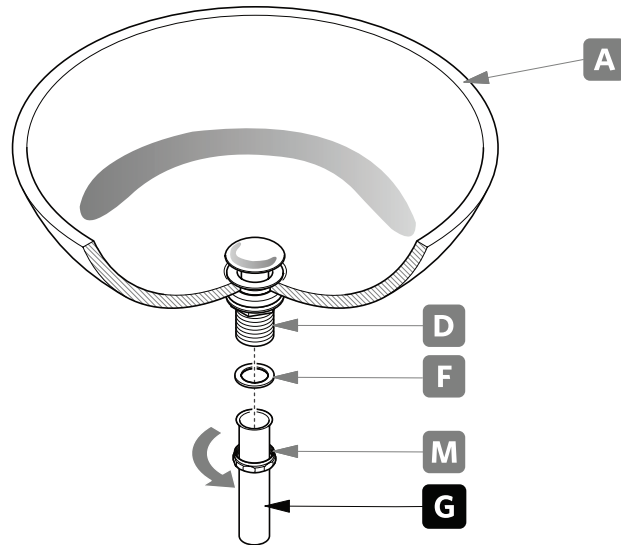
OR

**FOR SINKS
WITH OVERFLOW**



P-TRAP INSTALLATION

1. Install tail pipe **(G)**.



2. Install P-trap **(J)**.

