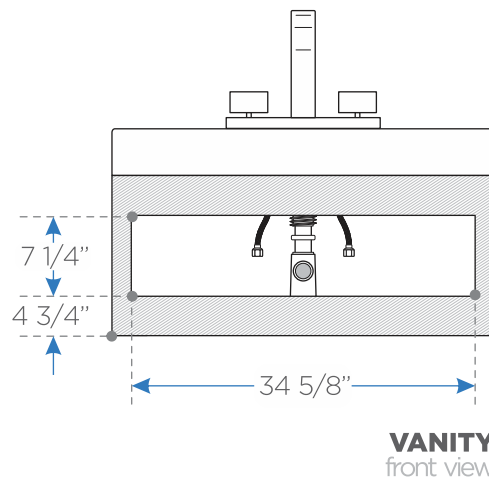
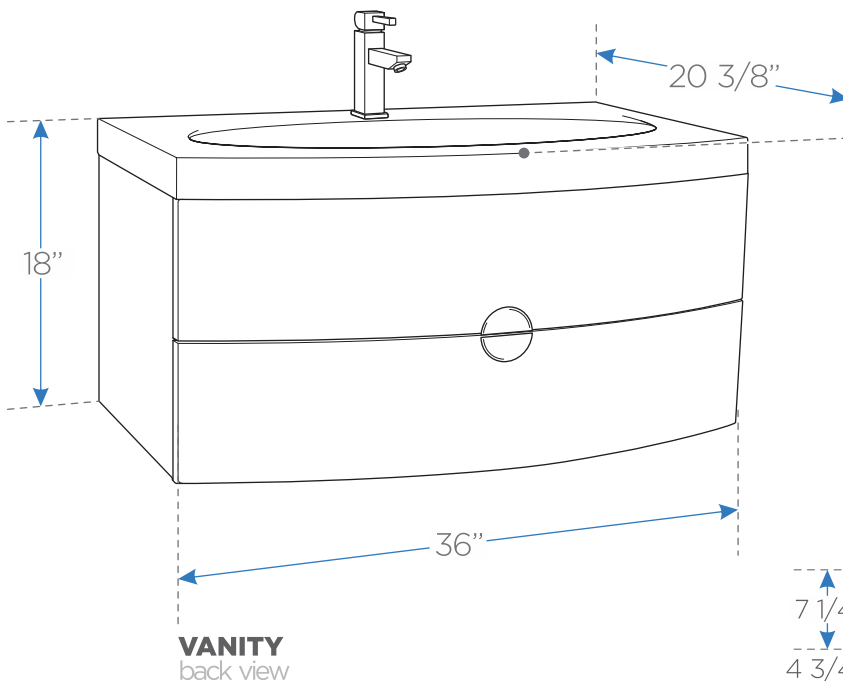
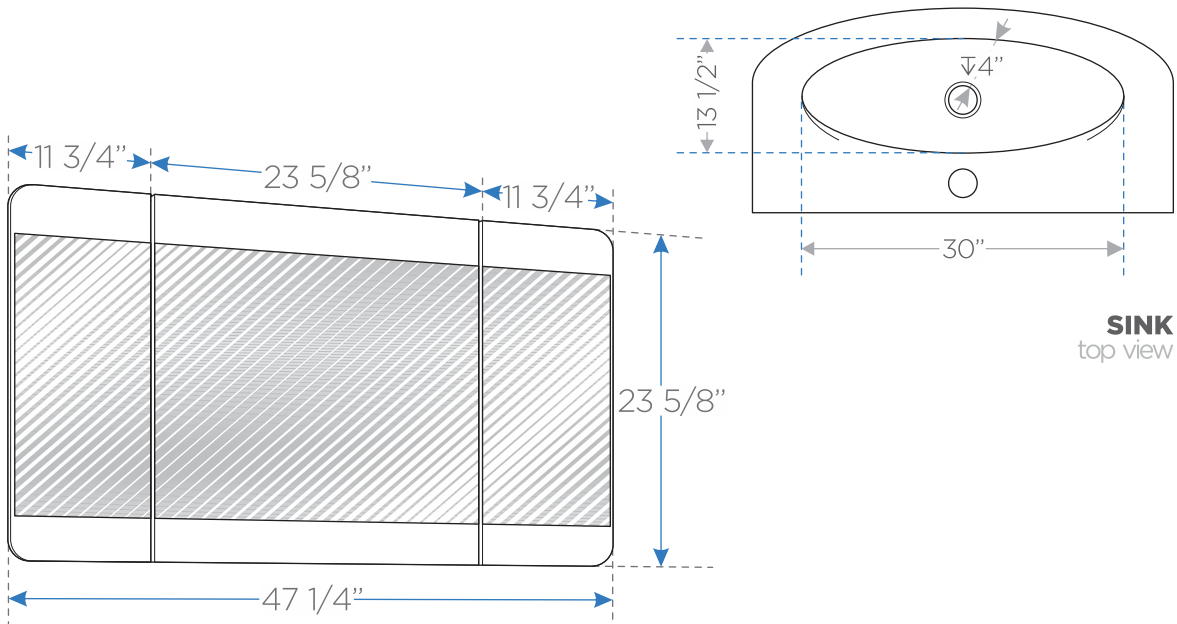


# ENERGIA

FVN5092

2 Drawer Modern Bathroom Vanity  
w/ Three Panel Folding Mirror



**BOX DIMENSIONS: L38 1/2" W26 1/2" H26 1/2" G.W.144 3/4LB**