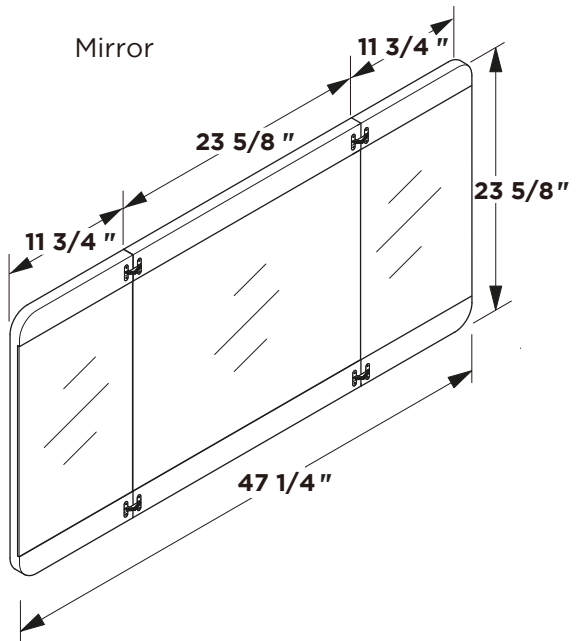
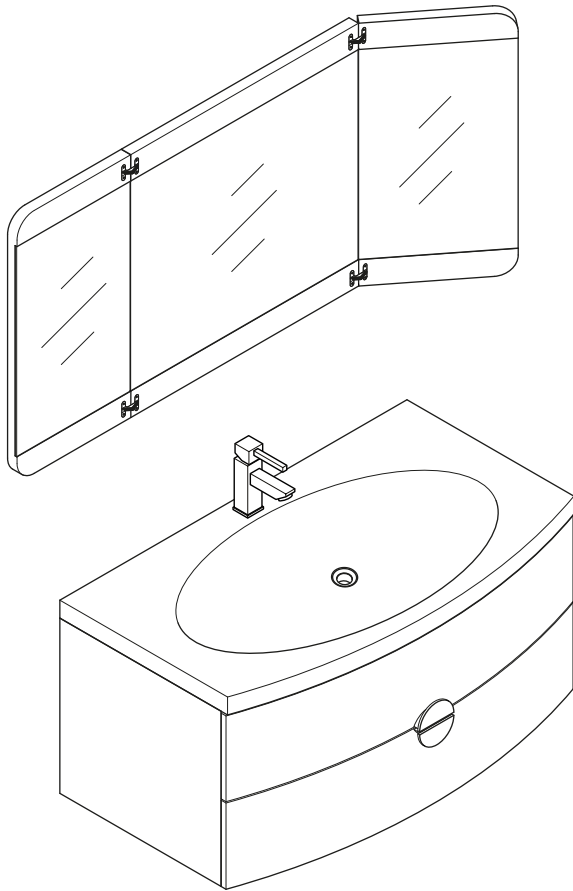


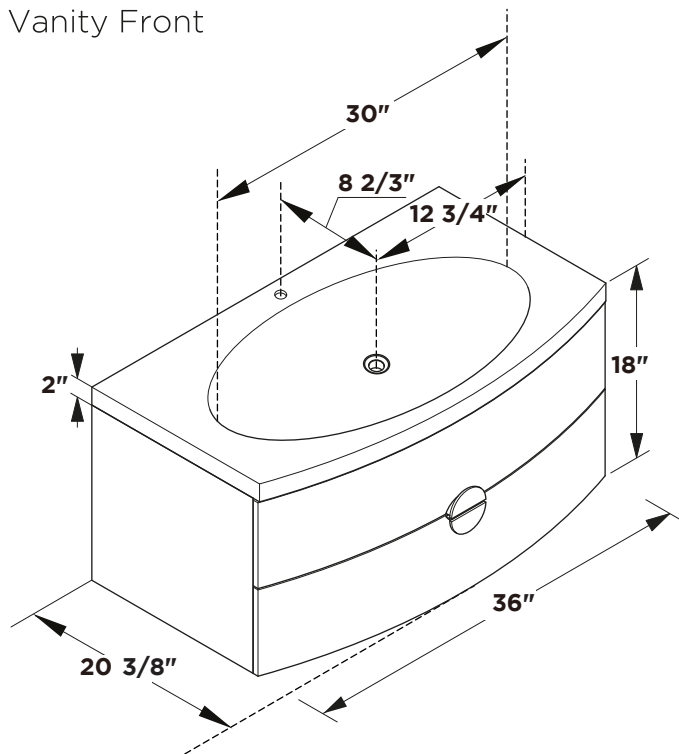
FVN5092  
ENERGIA  
INSTALLATION GUIDE



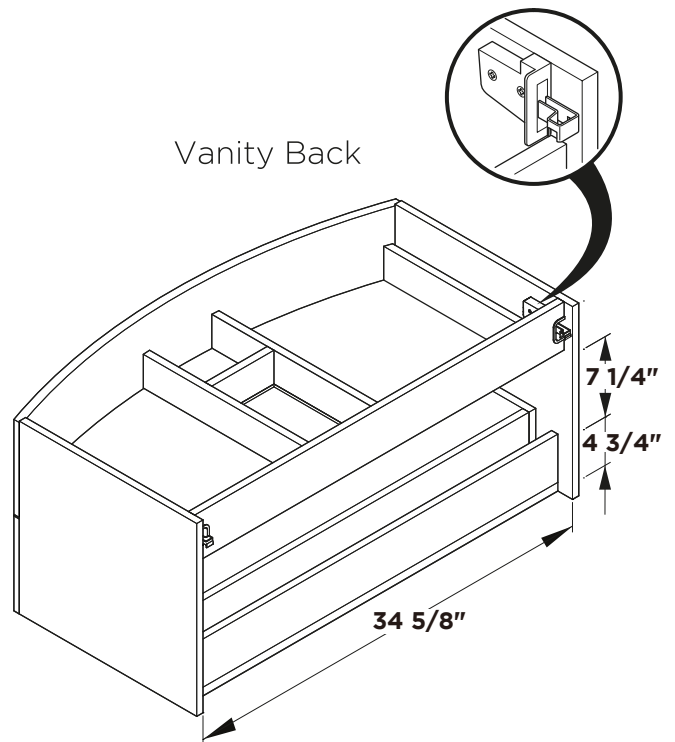
FRESCA™



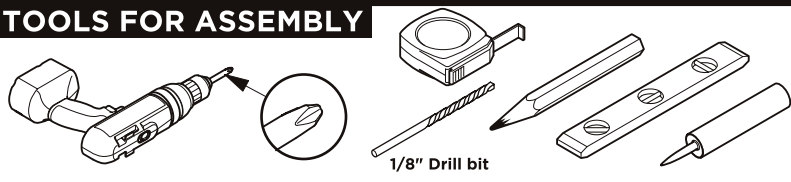
Vanity Front



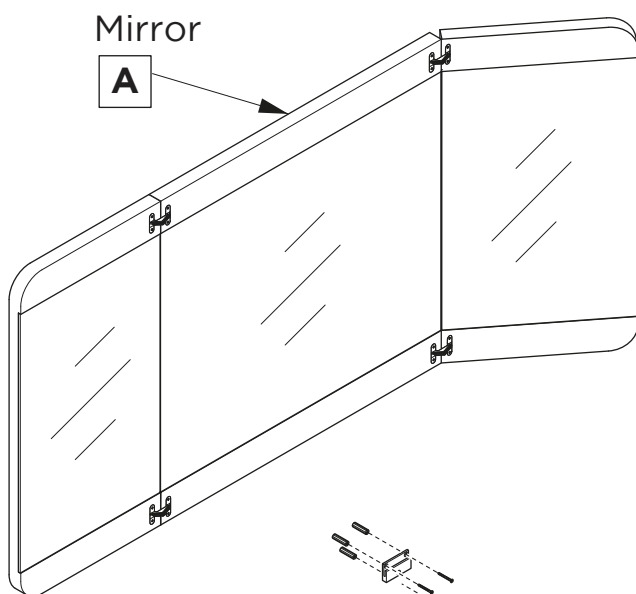
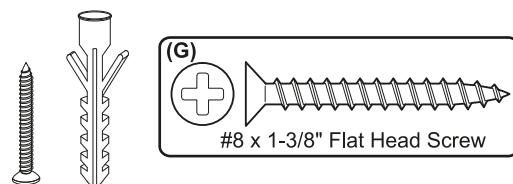
Vanity Back



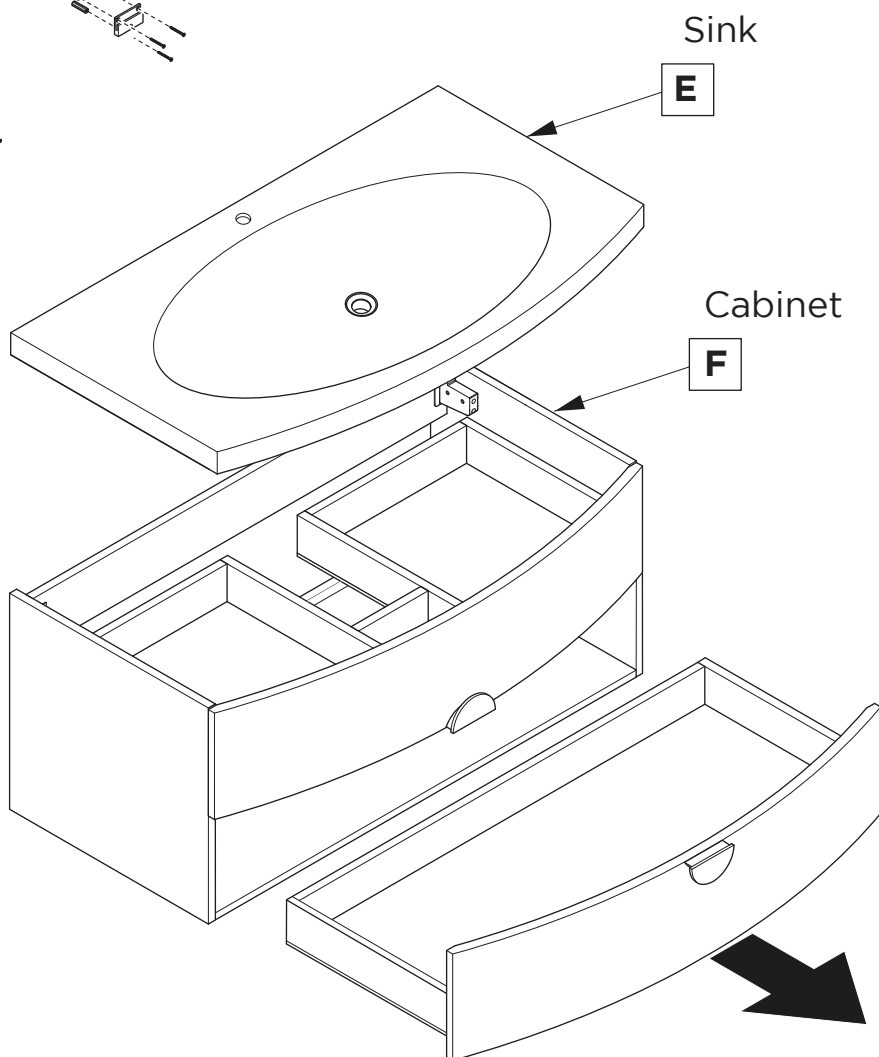
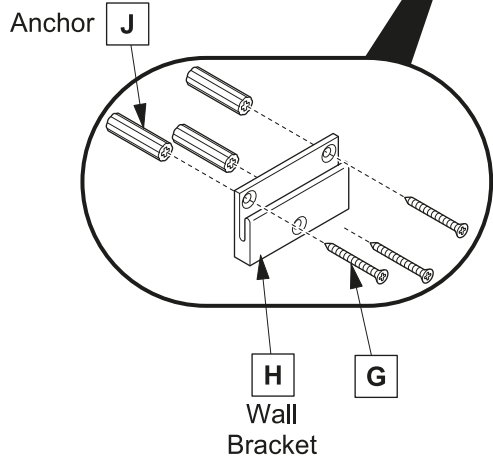
# TOOLS FOR ASSEMBLY



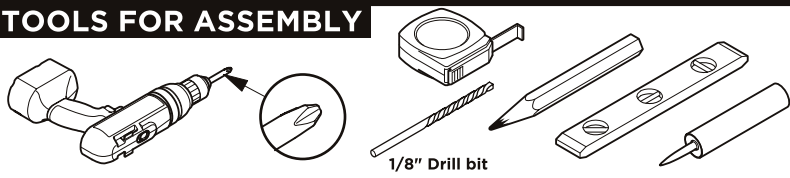
# PARTS



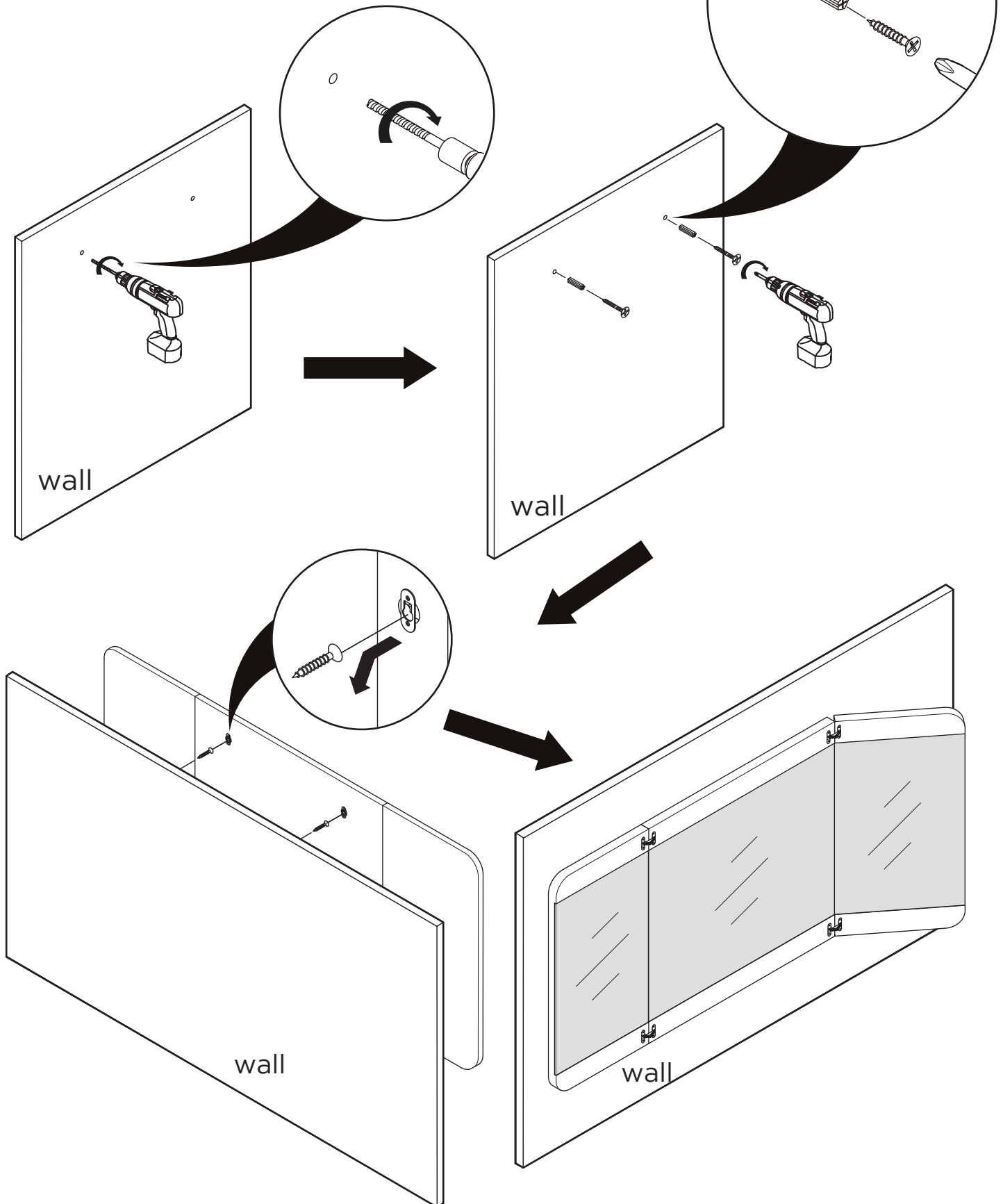
**NOTE:** Only use anchors (J) if stud (2"x4" frame) is not available.



## TOOLS FOR ASSEMBLY

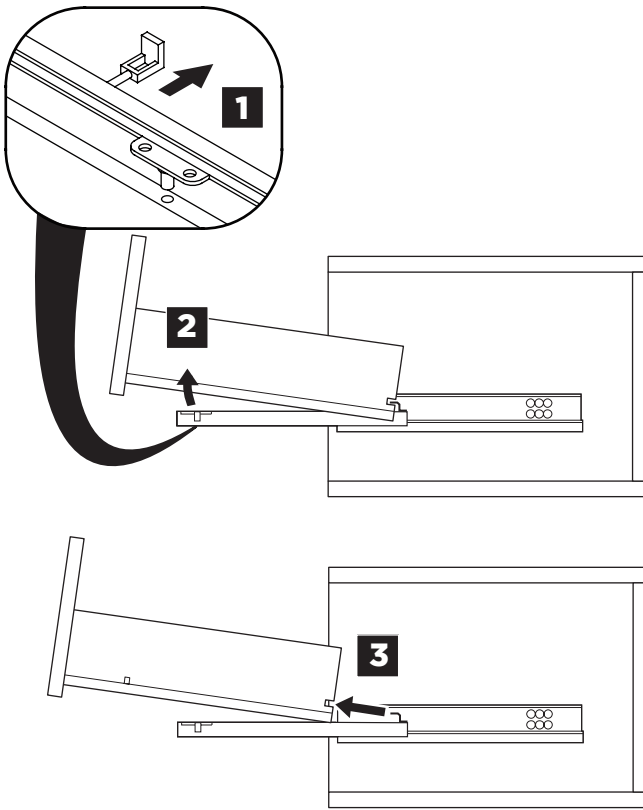


## MIRROR INSTALLATION

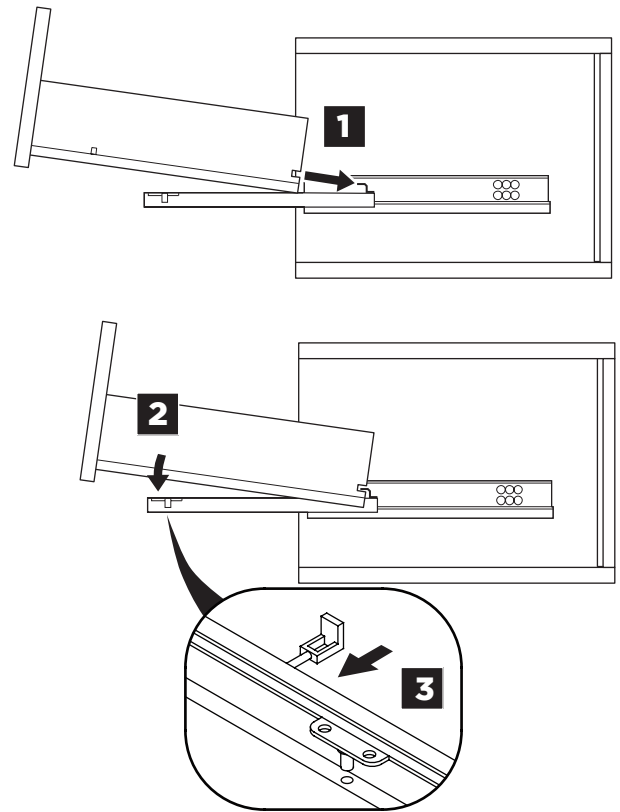


# DRAWER REMOVAL & INSTALLATION

## REMOVAL



## INSTALLATION

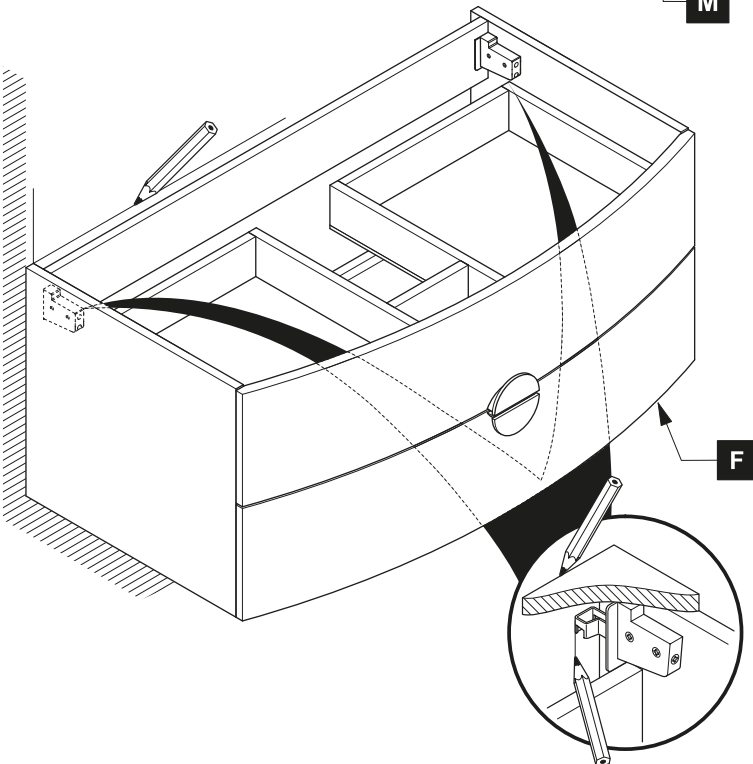
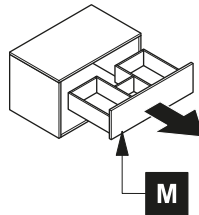


1

Remove drawer (M)

2

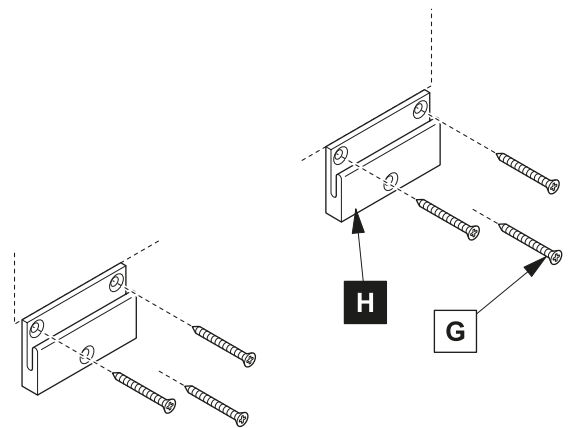
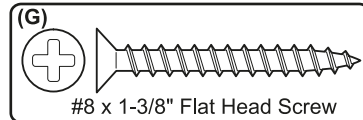
Locate cabinet (F) & mark location



3

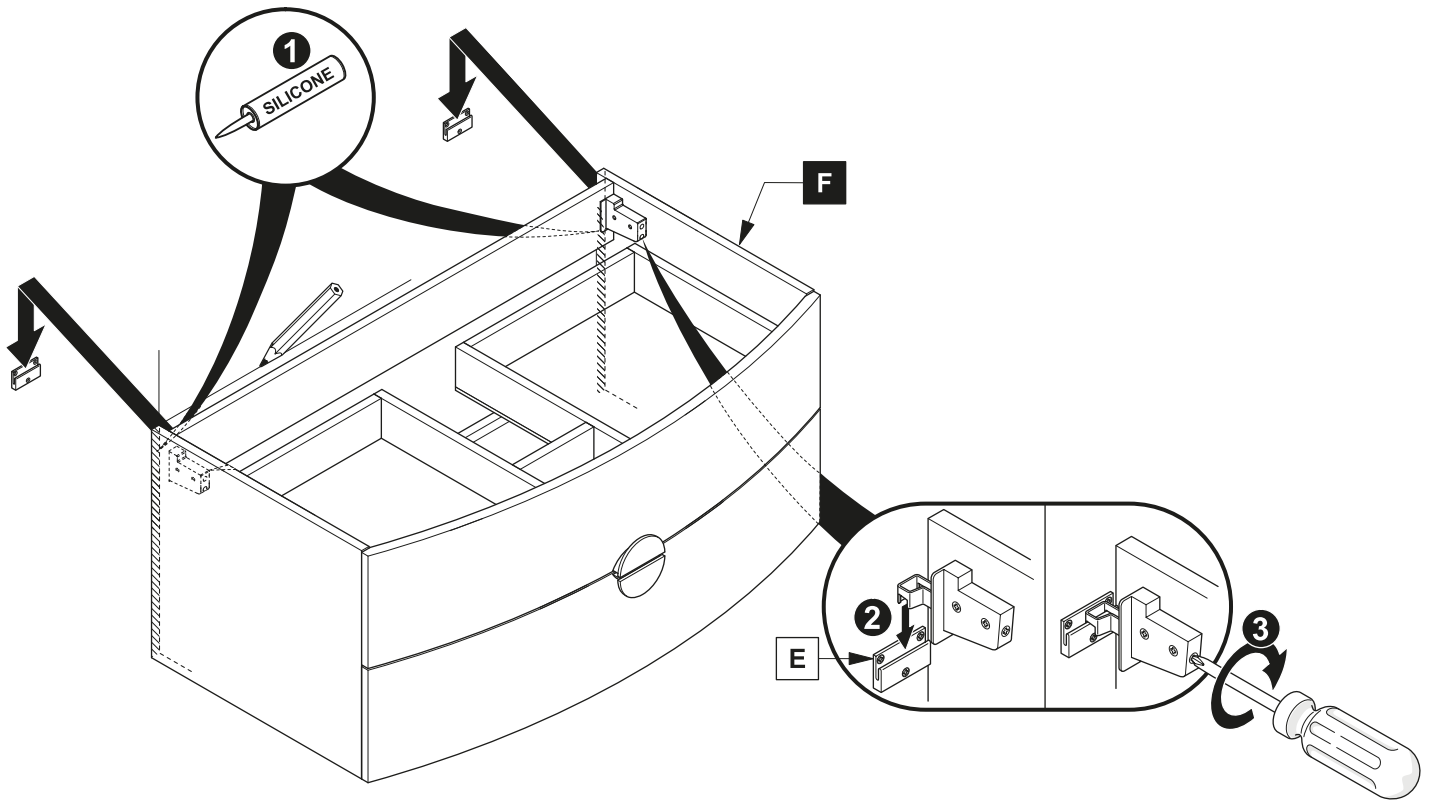
Install wall brackets (H)

**IMPORTANT:** Consult an expert for the proper screws/bolts to use when attaching to various wall constructions. Screws provided do not attach to all wall construction types.



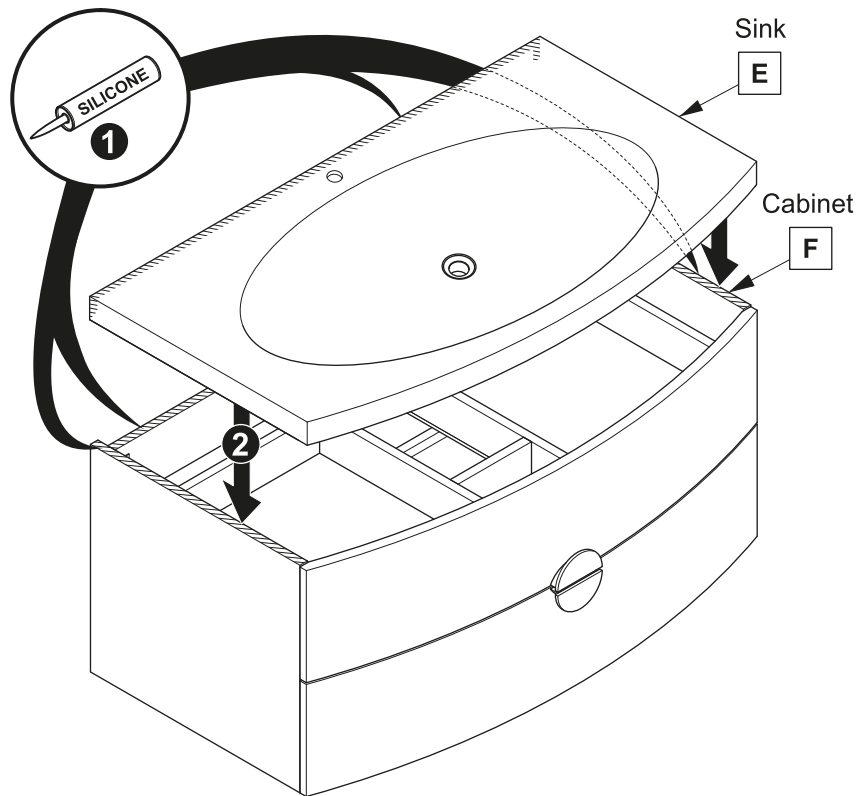
4

Apply silicone and install cabinet (F)



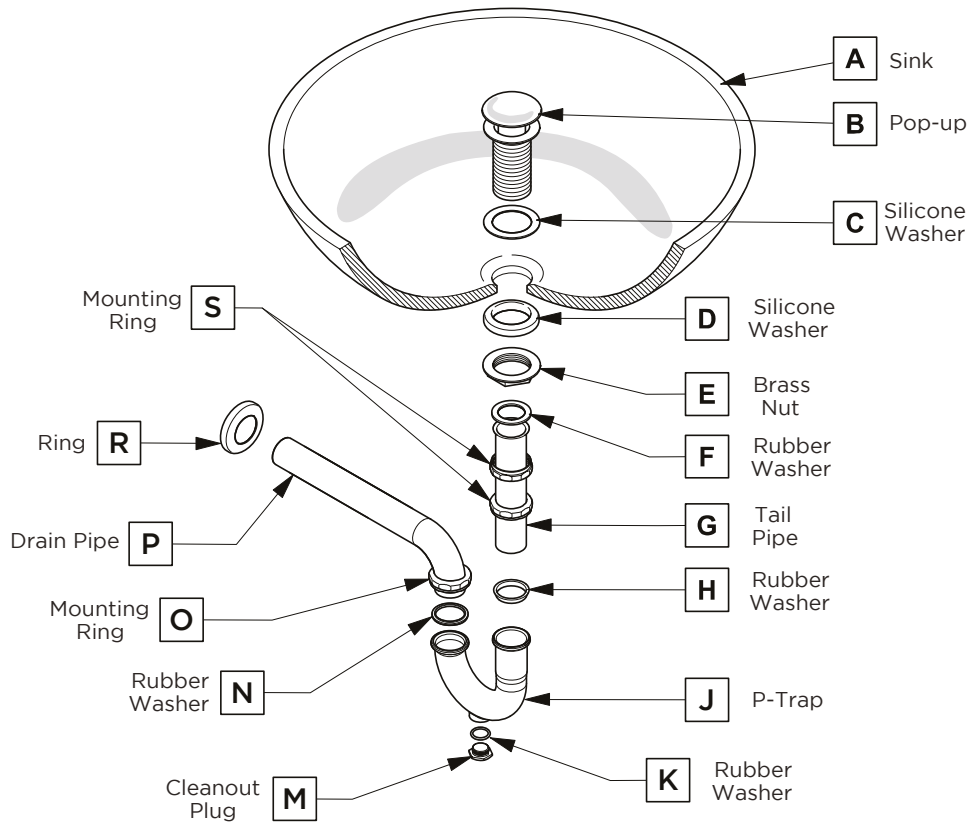
5

Apply silicone and install sink (E)



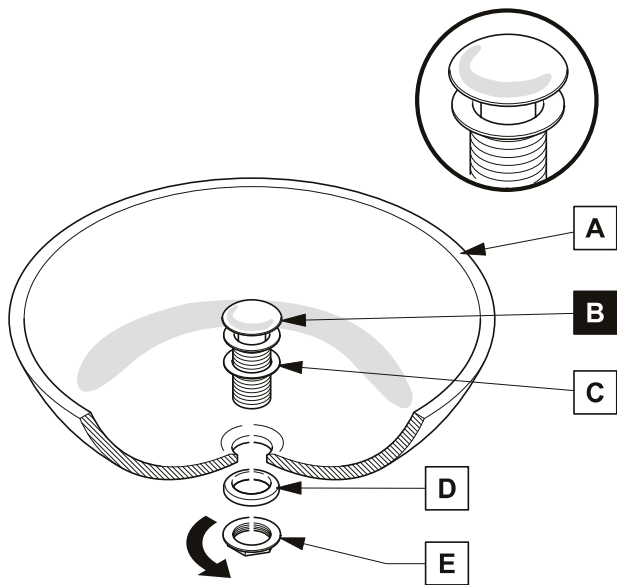
## P-TRAP AND POP-UP INSTALLATION INSTRUCTIONS

Your item may appear slightly different from the illustration



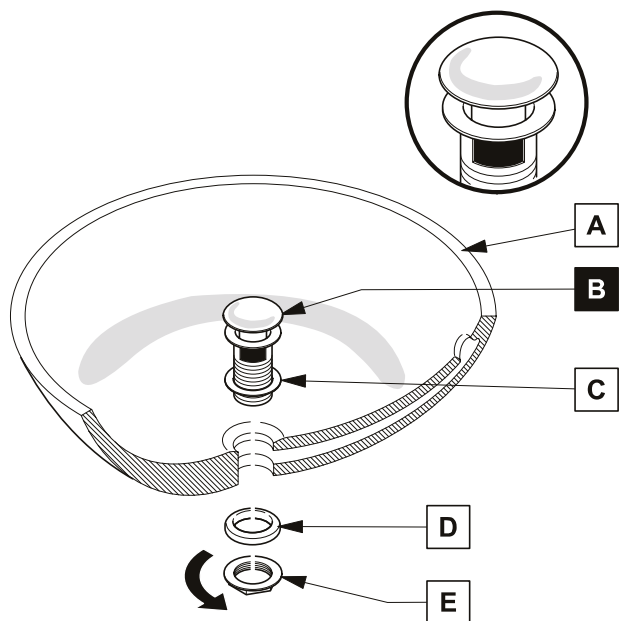
### POP-UP INSTALLATION

#### FOR SINKS WITHOUT OVERFLOW



OR

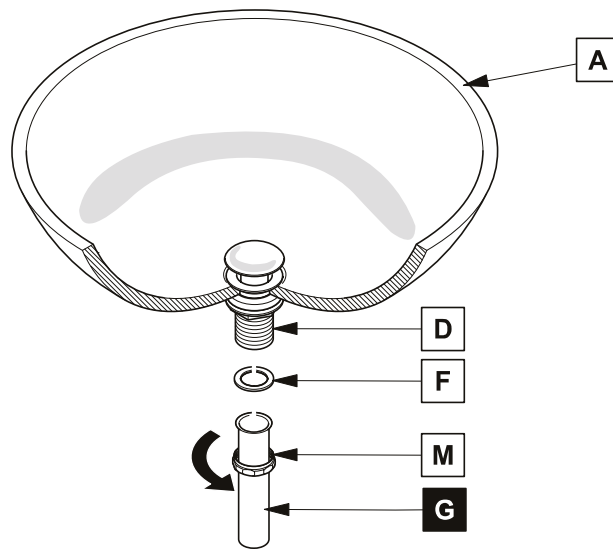
#### FOR SINKS WITH OVERFLOW



# P-TRAP INSTALLATION

1

Install tail pipe (G)



2

Install p-trap (J)

