



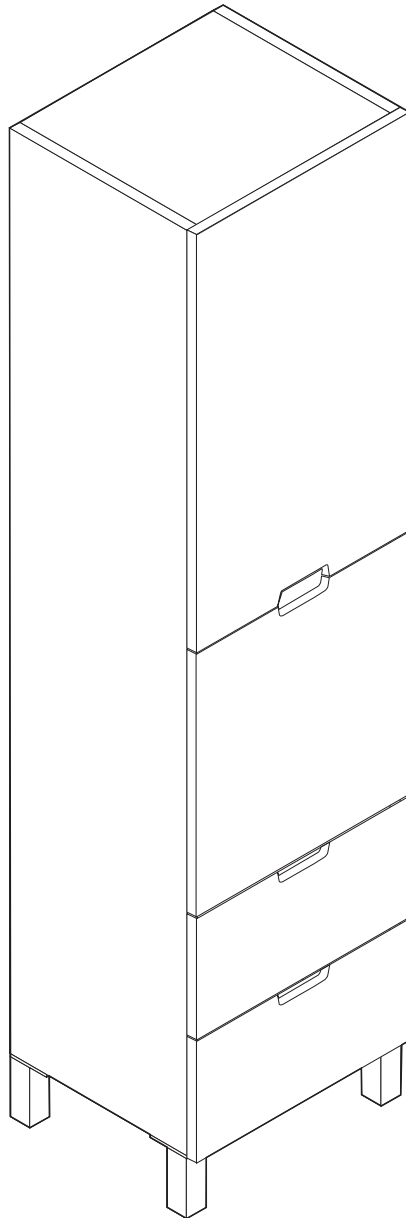
# FST1040

Linen Side Cabinet

## INSTALLATION GUIDE



FRESCA®





# FST1040

Linen Side Cabinet

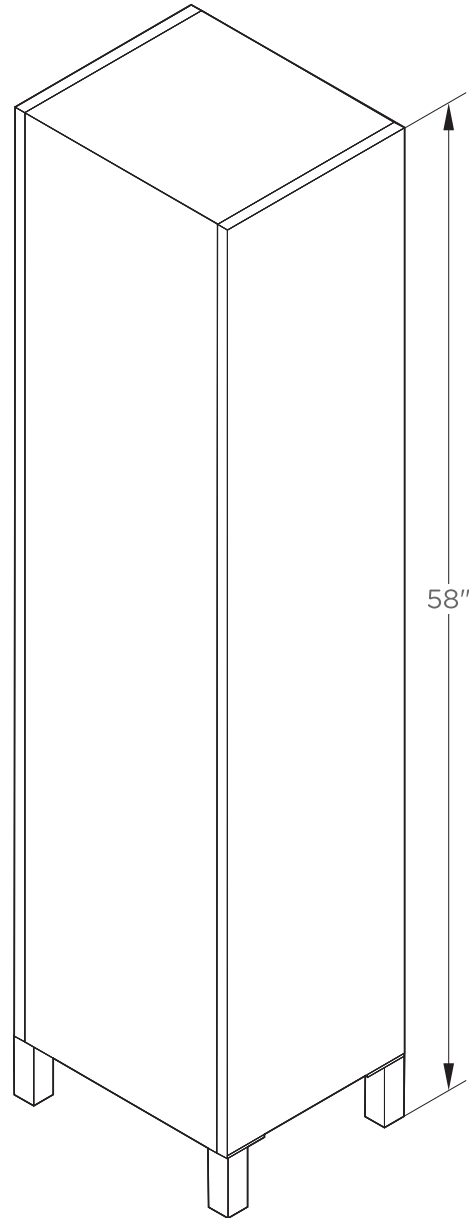
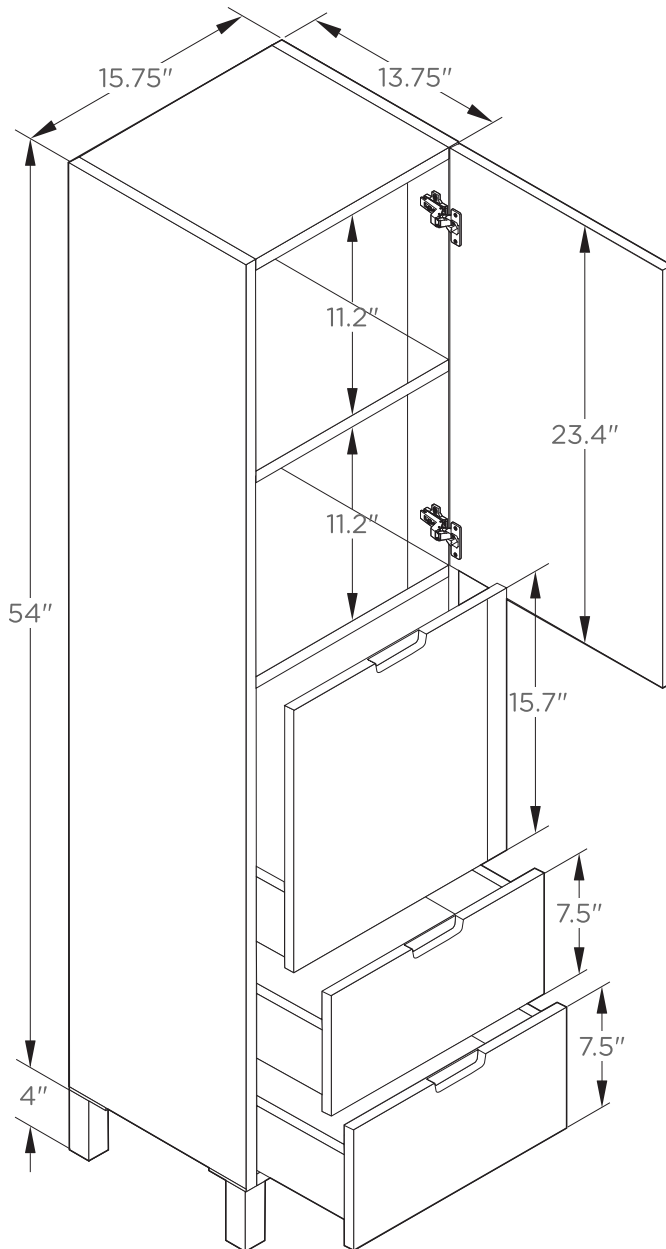
## INSTALLATION GUIDE



FRESCA®

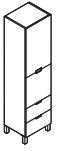
### DIMENSIONS

Linen Side Cabinet  
front view



Linen Side Cabinet  
rear view

**NOTE:** ALL DIMENSIONS & SPECIFICATIONS ARE APPROXIMATE AND SUBJECT TO CHANGE WITHOUT NOTICE.



# FST1040

Linen Side Cabinet

## INSTALLATION GUIDE



FRESCA®

### LEG INSTALLATION

