

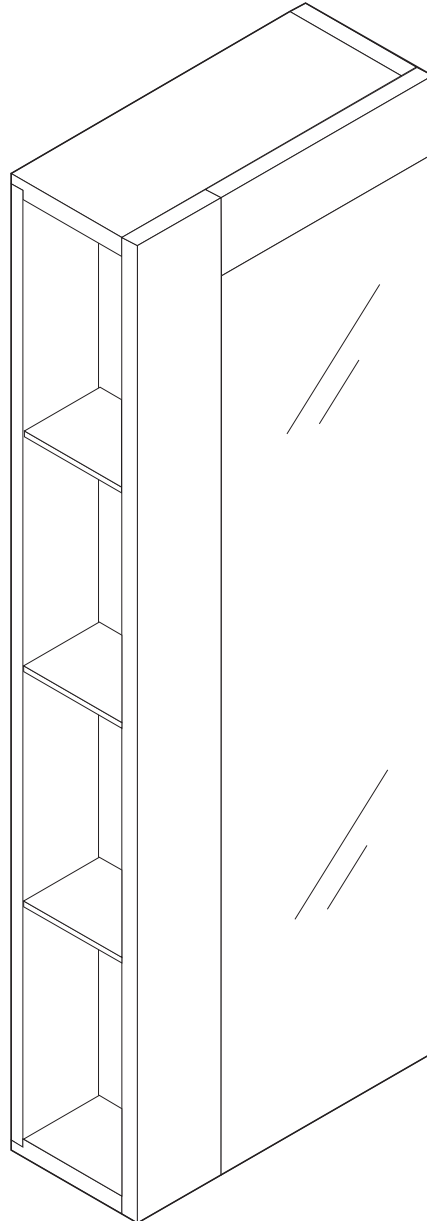
# FST1024

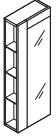
Linen Side Cabinet

## INSTALLATION GUIDE



FRESCA®





# FST1024

Linen Side Cabinet

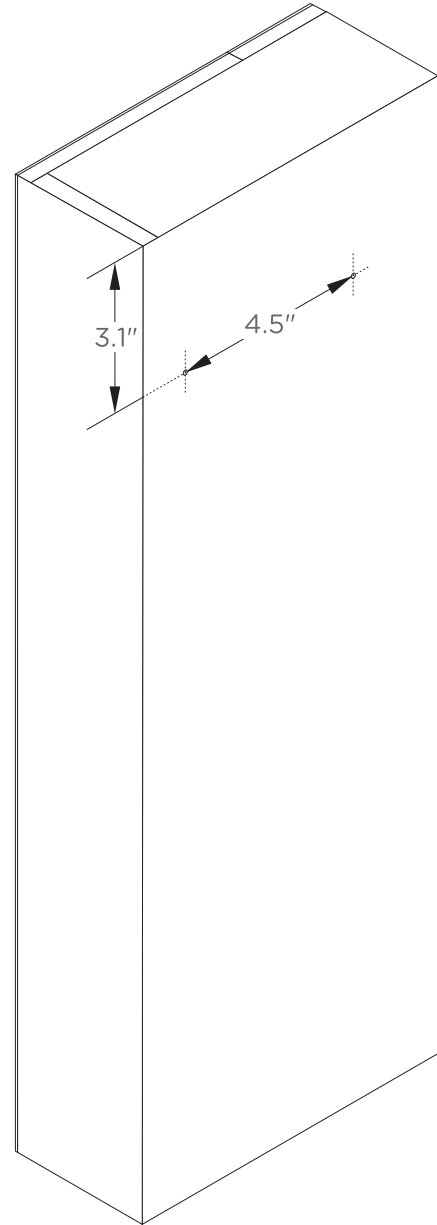
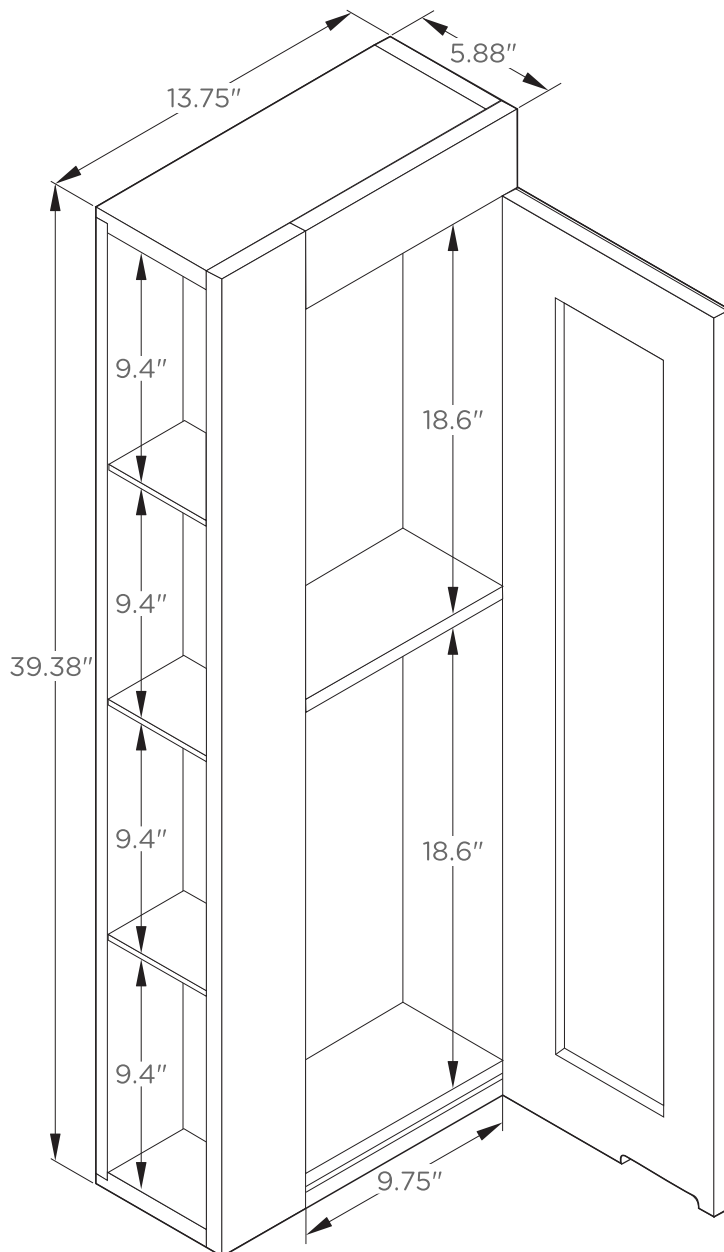
## INSTALLATION GUIDE



FRESCA®

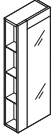
### DIMENSIONS

Linen Side Cabinet  
front view



Linen Side Cabinet  
rear view

**NOTE:** ALL DIMENSIONS & SPECIFICATIONS ARE APPROXIMATE AND SUBJECT TO CHANGE WITHOUT NOTICE.



# FST1024

Linen Side Cabinet

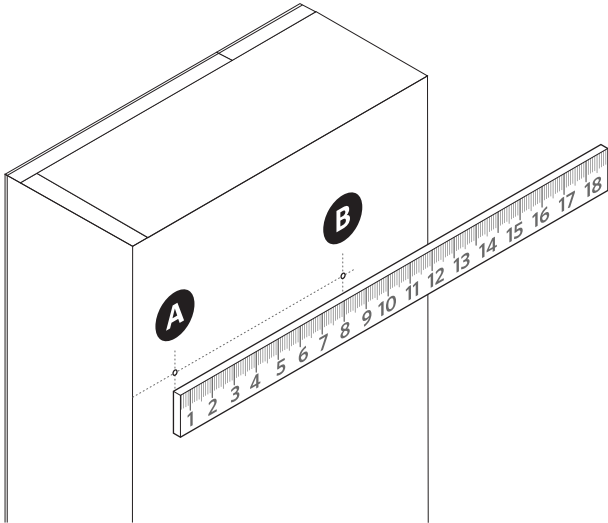
## INSTALLATION GUIDE



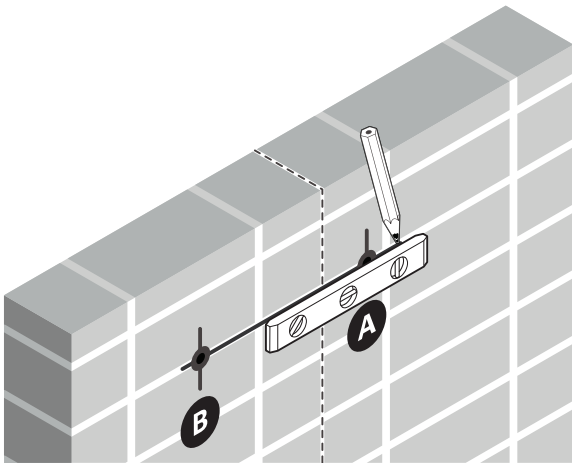
FRESCA®

### INSTALLATION

- 1** Measure the distance between the whole **A** and **B** on the back of the cabinet.



- 2** Mark the wall with a pencil using a level for the mounting position.



**NOTE:**

Consult an expert for the proper screws/bolts to use when attaching to various constructions. Screws provided do not attach to all wall construction types. Anchors are not required if brackets are installed in stud.

- 3** Open a mirrored door to connect a cabinet to the wall with the screws using a drill.

