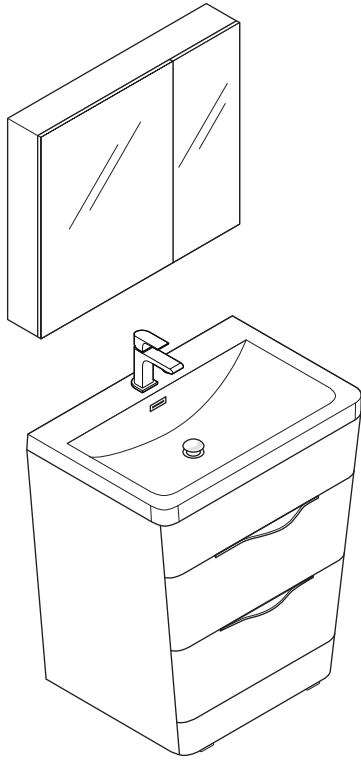
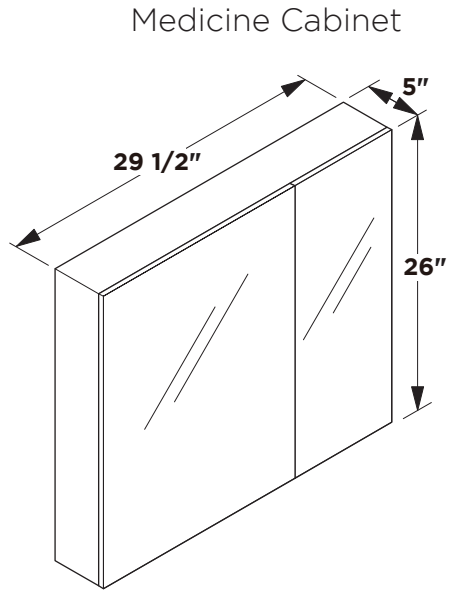




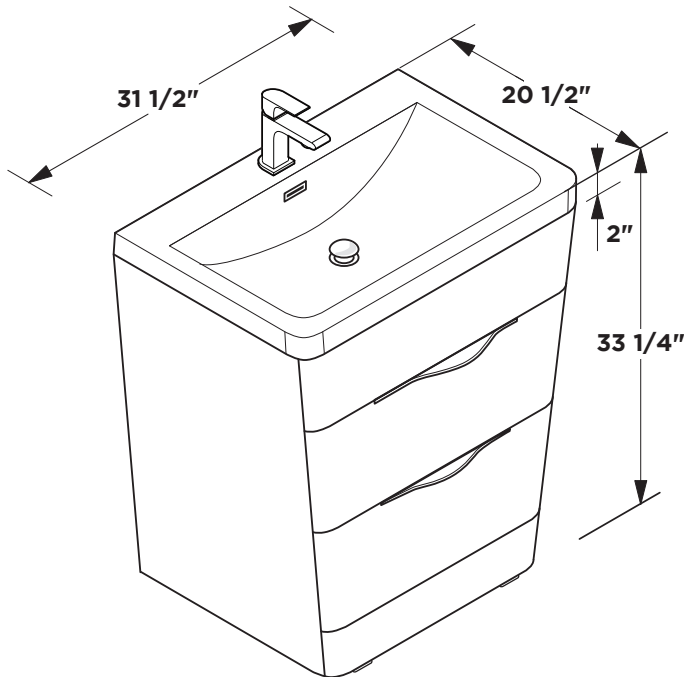
FVN8532  
**MILANO**  
INSTALLATION GUIDE



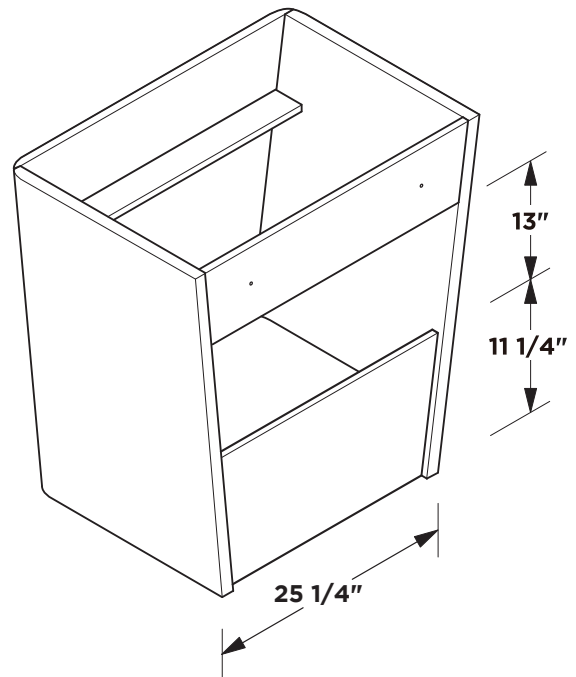
Vanity Front



Medicine Cabinet

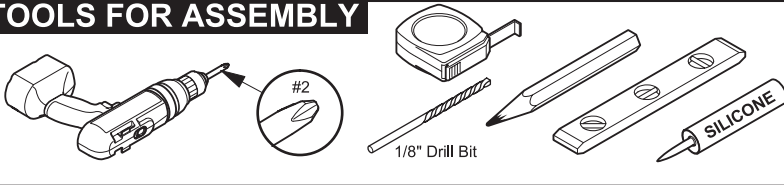


Vanity Back

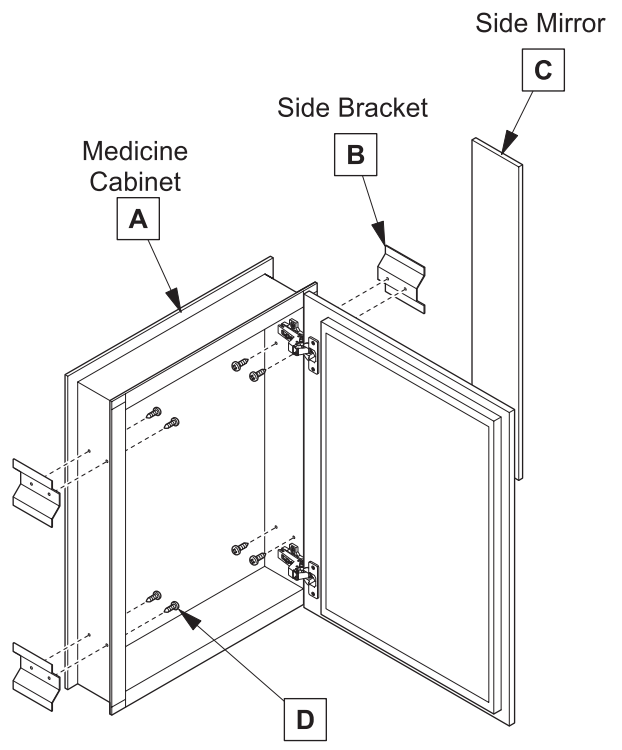
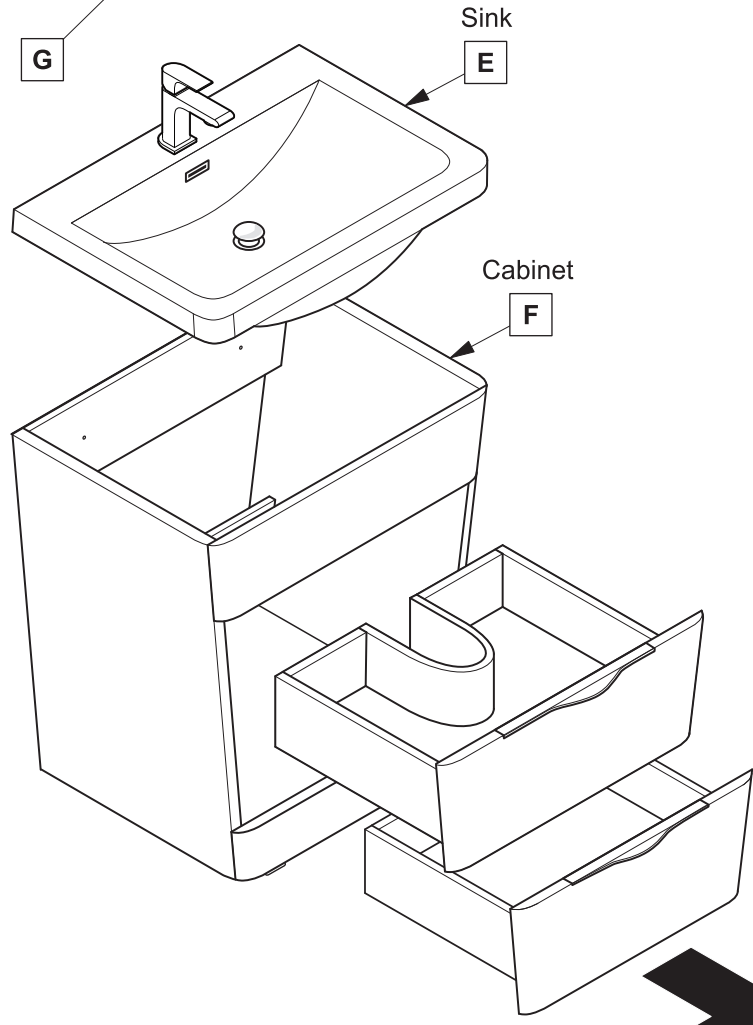
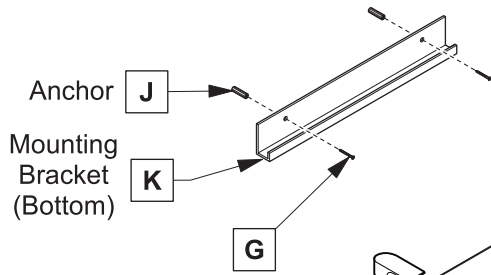
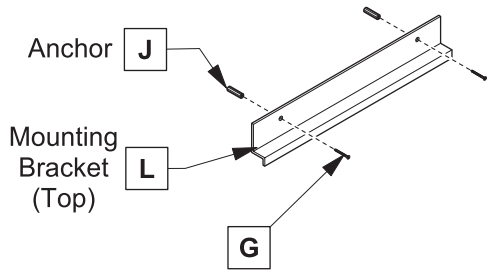
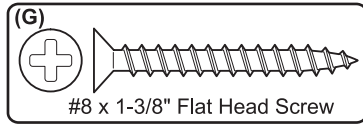


Note: All dimensions and specifications are approximate and subject to change without notice.

**TOOLS FOR ASSEMBLY**

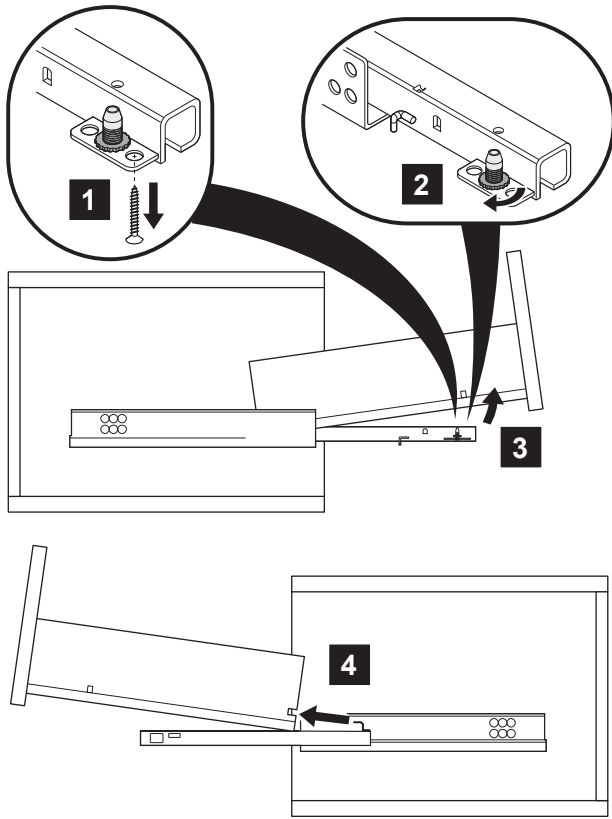


**PARTS**

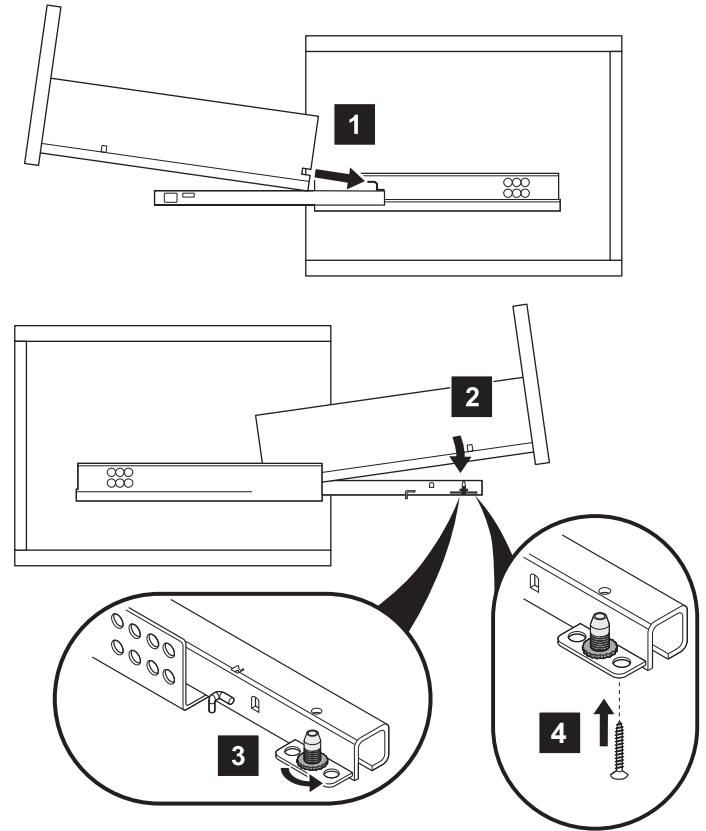


# DRAWER REMOVAL & INSTALLATION

## REMOVAL

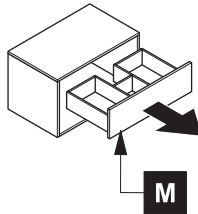


## INSTALLATION

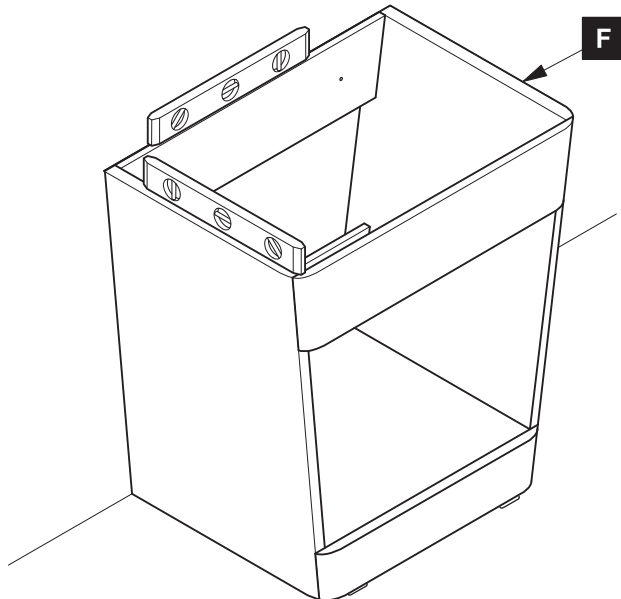


**1** Remove drawer (M)

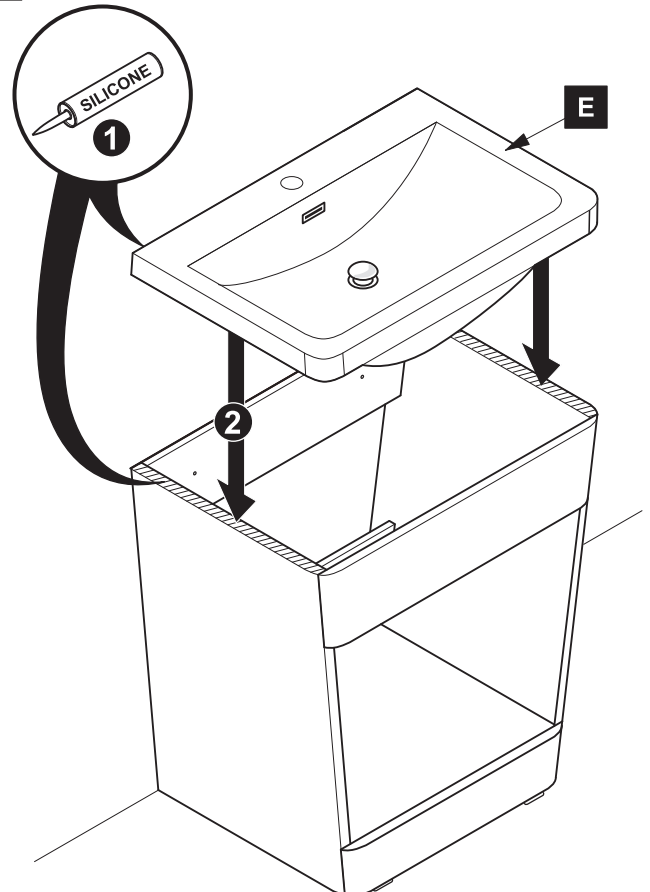
**2** Install cabinet (F)



**IMPORTANT:** Consult an expert for the proper screws/bolts to use when attaching to various wall constructions. Screws provided do not attach to all wall construction types.

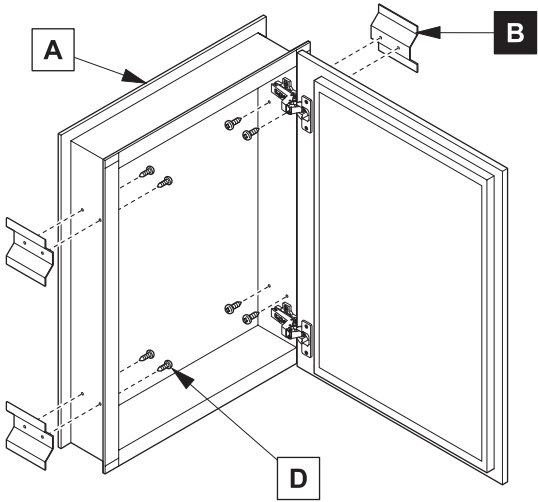


**3** Apply silicone and install sink (E)

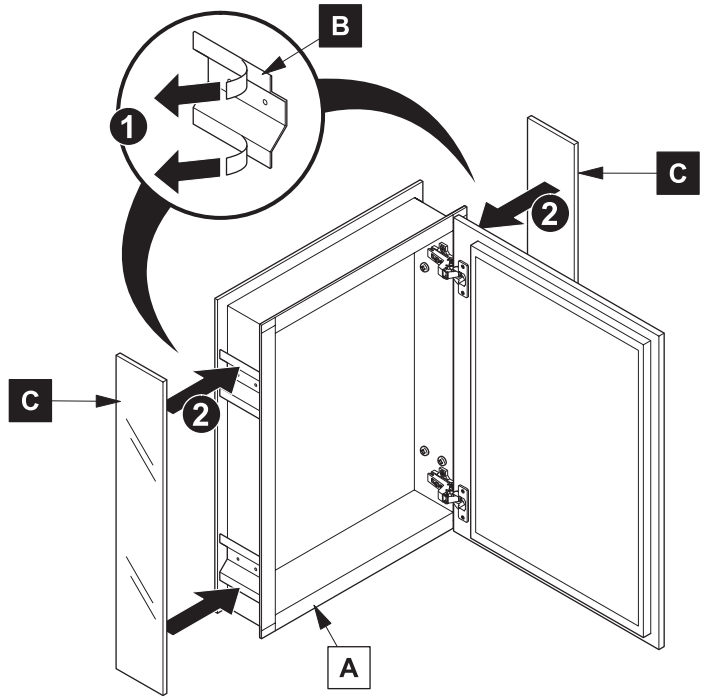


# MEDICINE CABINET INSTALLATION

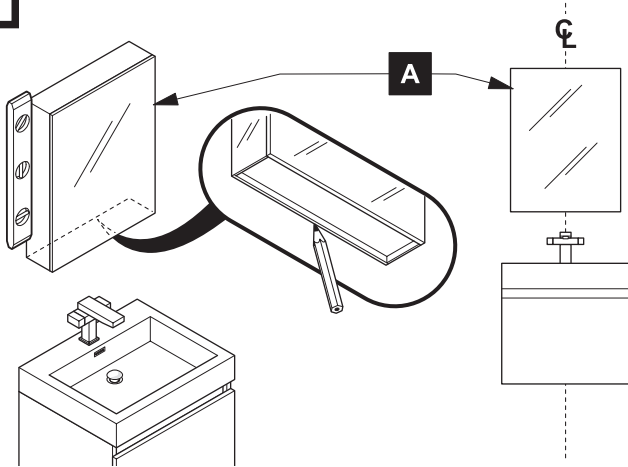
## 1 Install side brackets (B)



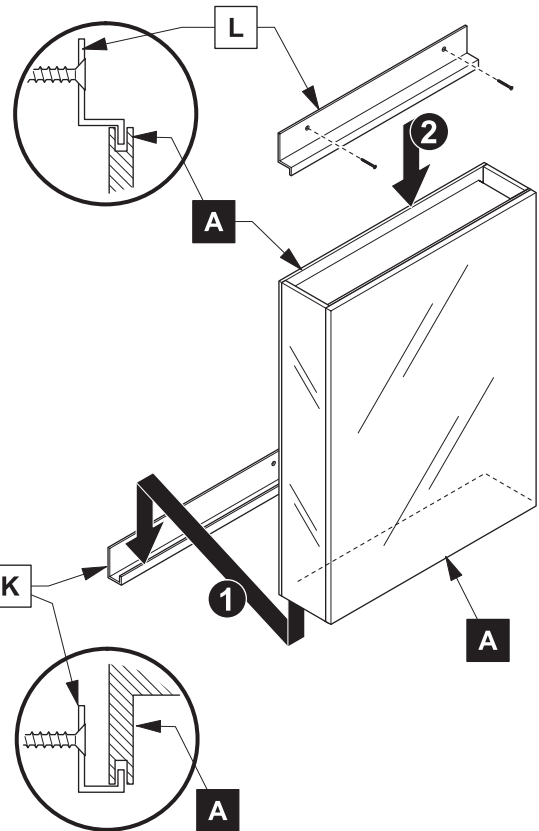
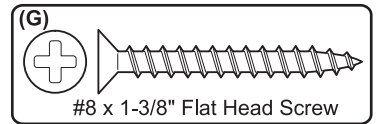
## 2 Install side mirrors (C)



## 3 Mark cabinet (A) location

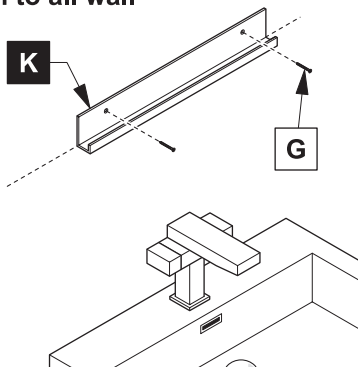
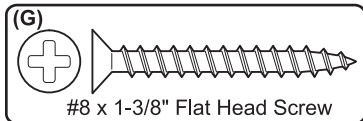


## 5 Install cabinet (A)



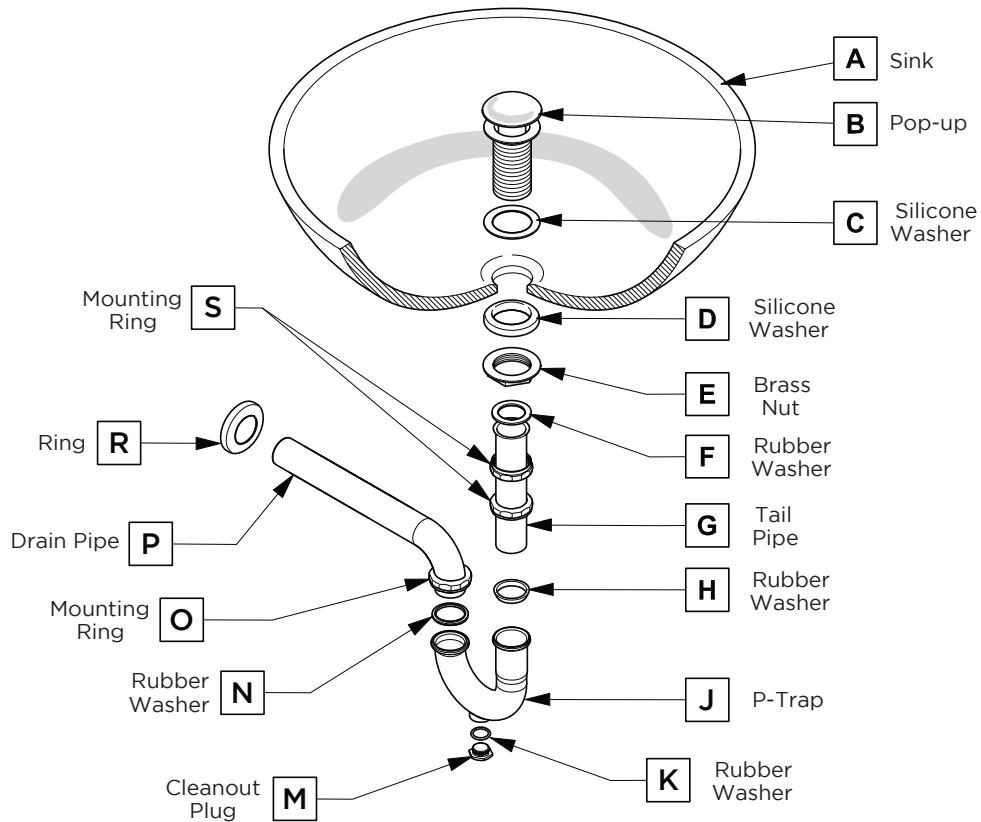
## 4 Install bottom bracket (K)

**IMPORTANT:** Consult an expert for the proper screws/bolts to use when attaching to various wall constructions. Screws provided **do not** attach to all wall construction types.



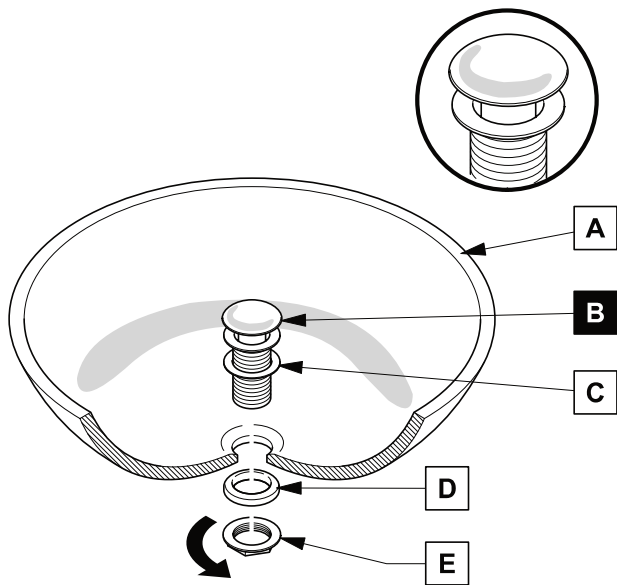
# P-TRAP AND POP-UP INSTALLATION INSTRUCTIONS

Your item may appear slightly different from the illustration



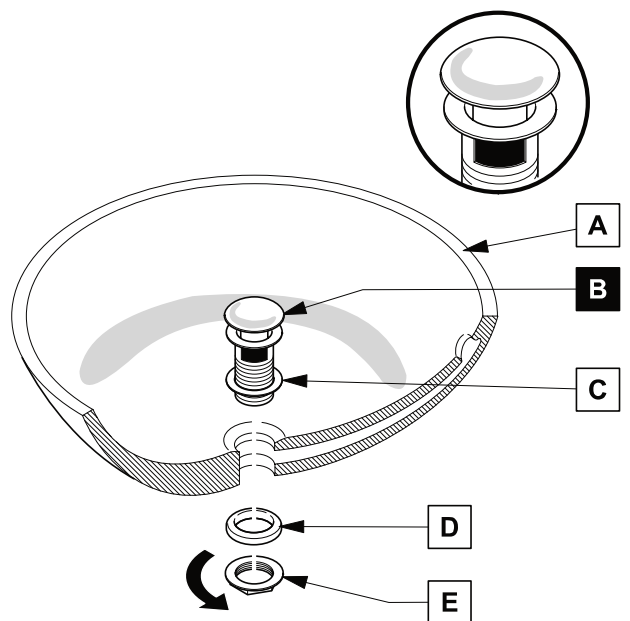
## POP-UP INSTALLATION

### FOR SINKS WITHOUT OVERFLOW



OR

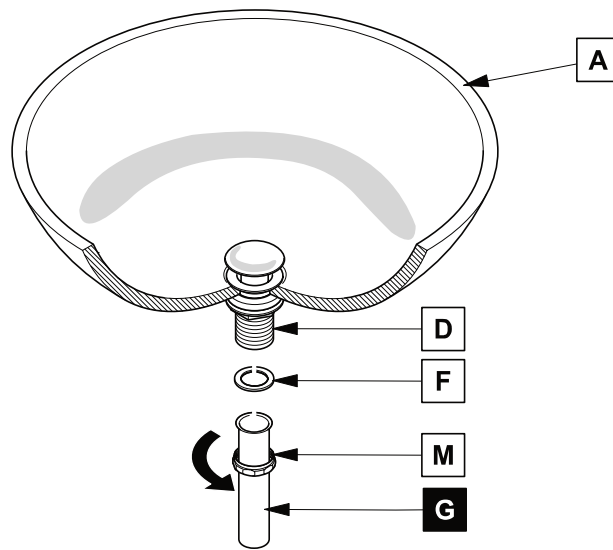
### FOR SINKS WITH OVERFLOW



# P-TRAP INSTALLATION

1

Install tail pipe (G)



2

Install p-trap (J)

