



FRESCA®

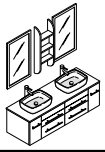
FVN6119

STELLA

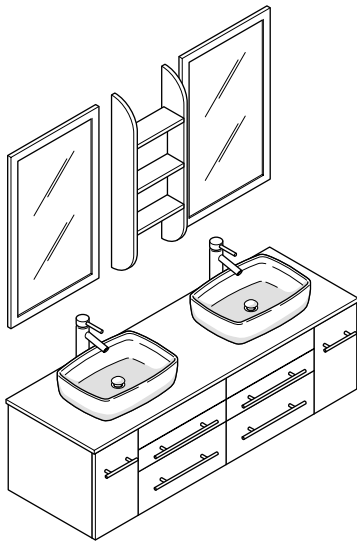
INSTALLATION GUIDE

CONTENTS:

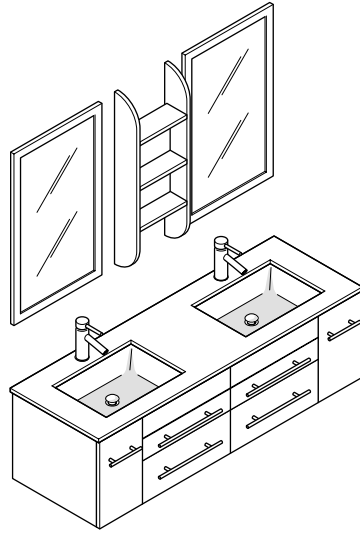
Cabinet..... (FCB6119).....	PAGE 3 (STEPS 1-2)
Sink..... (FVS6119).....	PAGE 4 (STEP 5)
Countertop..(FCT6119).....	PAGE 4 (STEP 4)
Mirror..... (FMR6119).....	PAGE 4 (STEP 6)
Shelving.....(FSF6119).....	PAGE 4 (STEP 6)



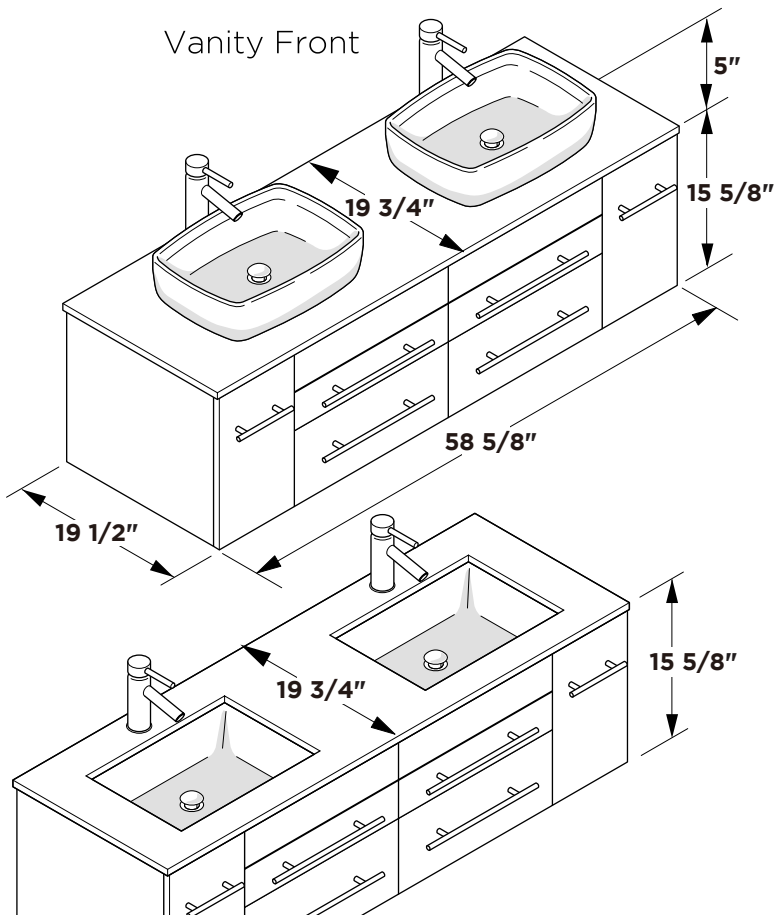
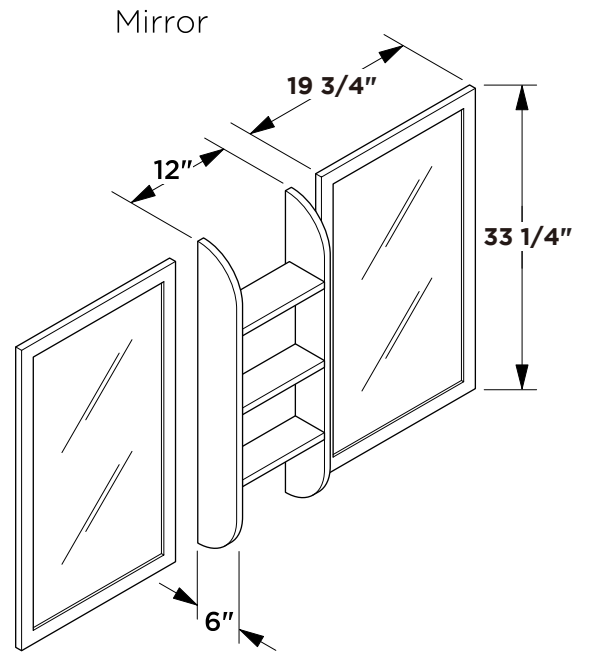
FVN6119
BELLEZZA
INSTALLATION GUIDE



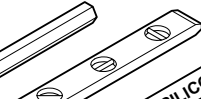
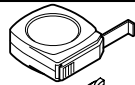
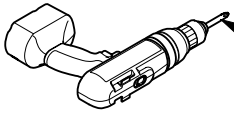
FVN6119



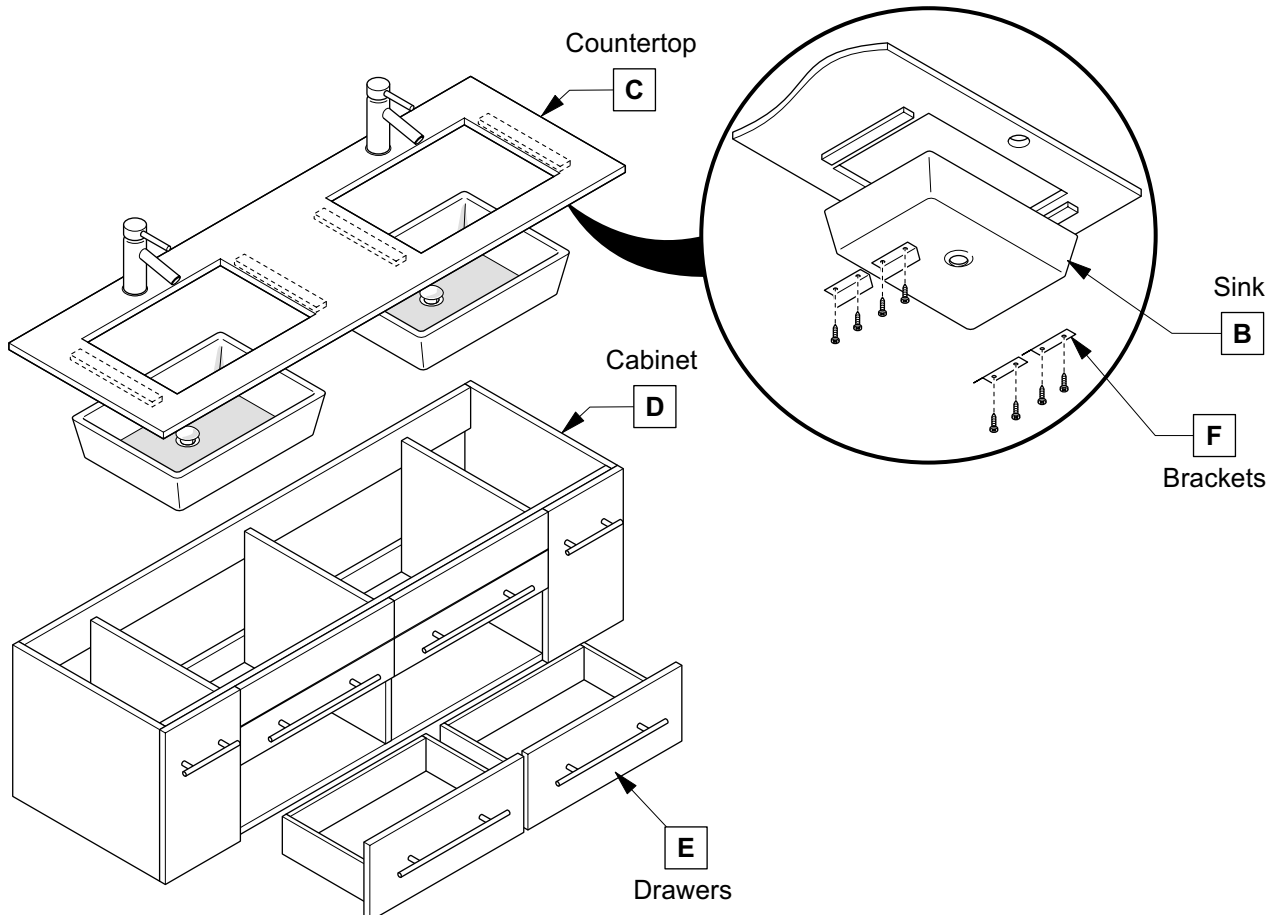
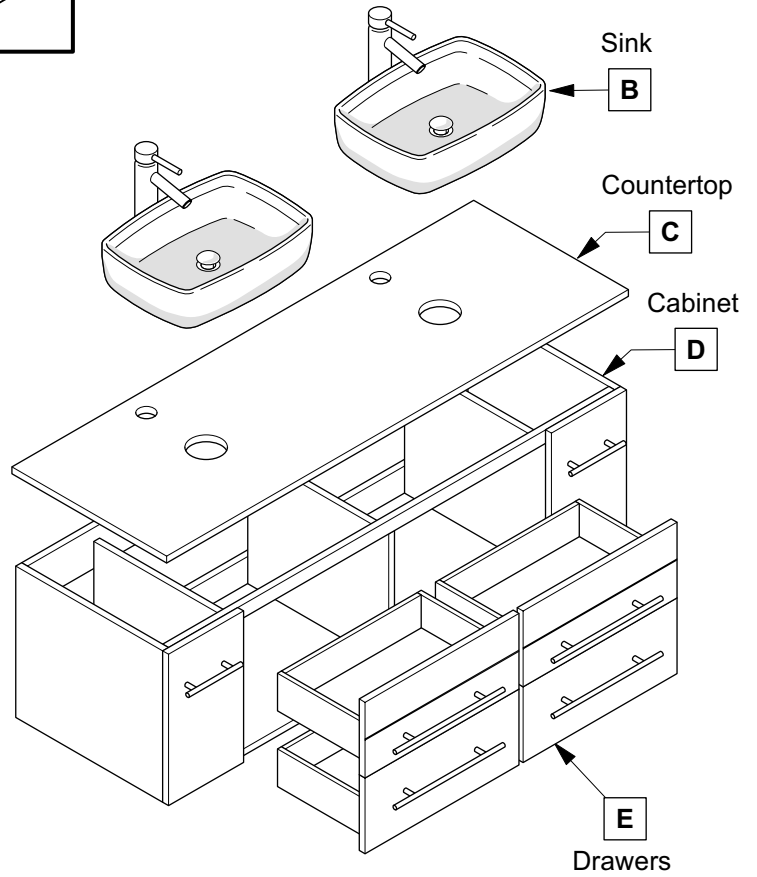
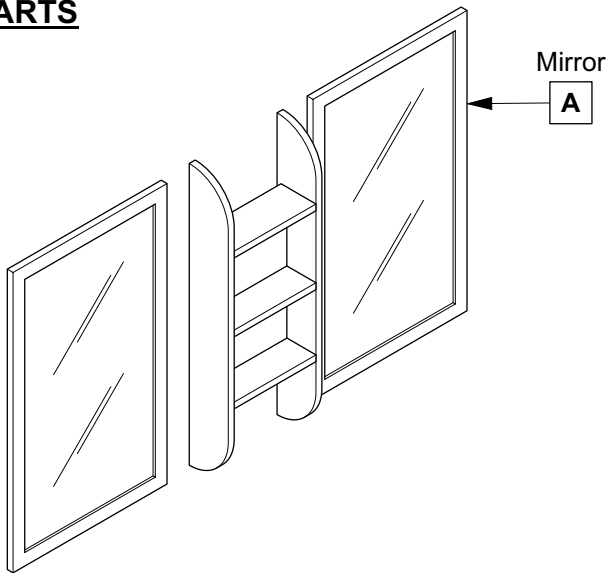
FVN6119UNS



TOOLS FOR ASSEMBLY

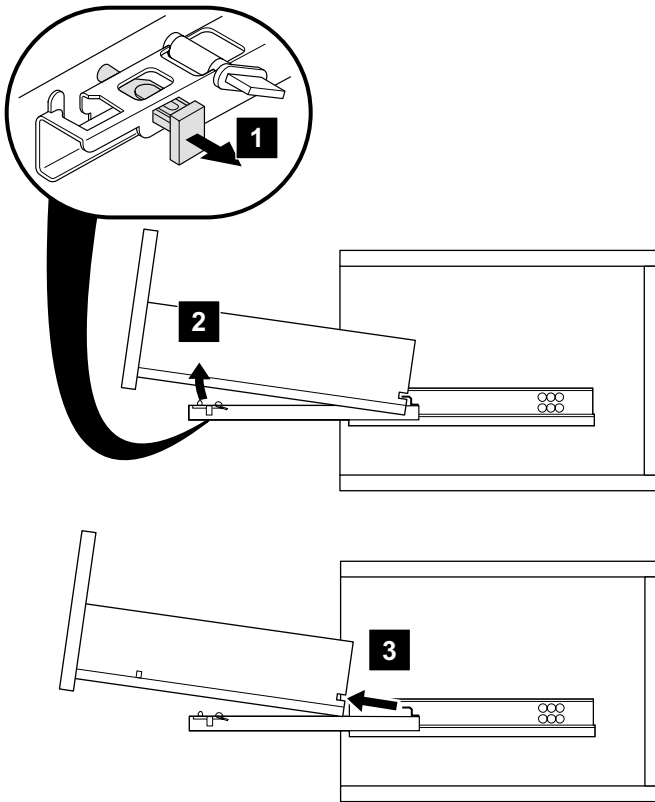


PARTS

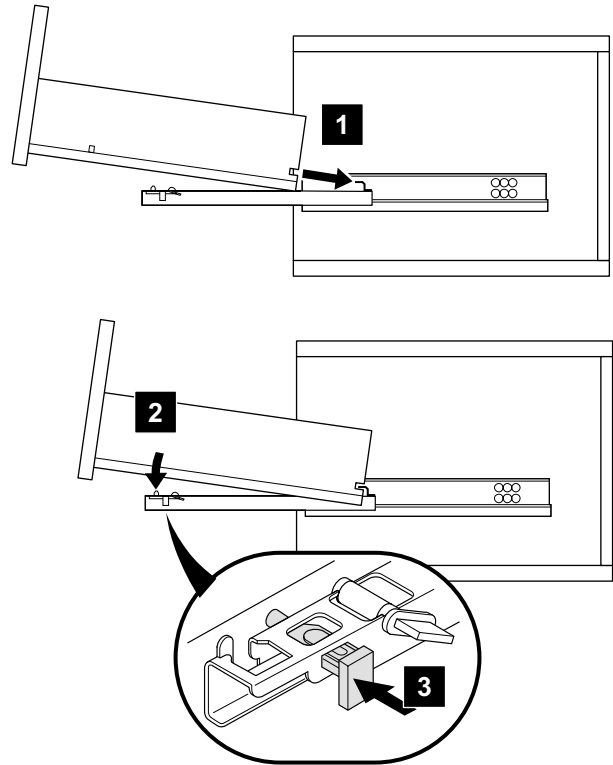


DRAWER REMOVAL & INSTALLATION

REMOVAL

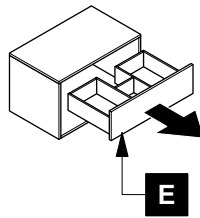


INSTALLATION

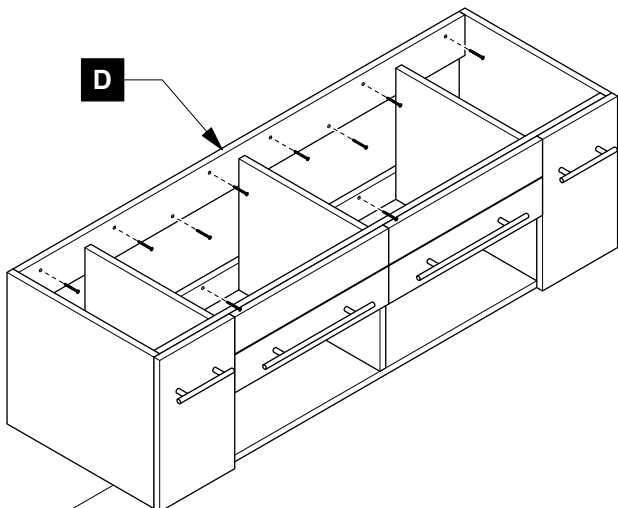


1 Remove drawer (E)

2 Install cabinet (D)

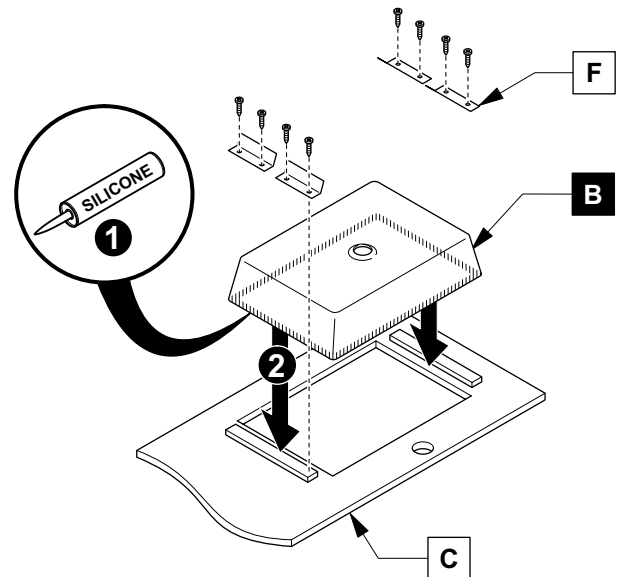


IMPORTANT: Consult an expert for the proper screws/bolts to use when attaching to various wall constructions. Screws provided do not attach to all wall construction types.



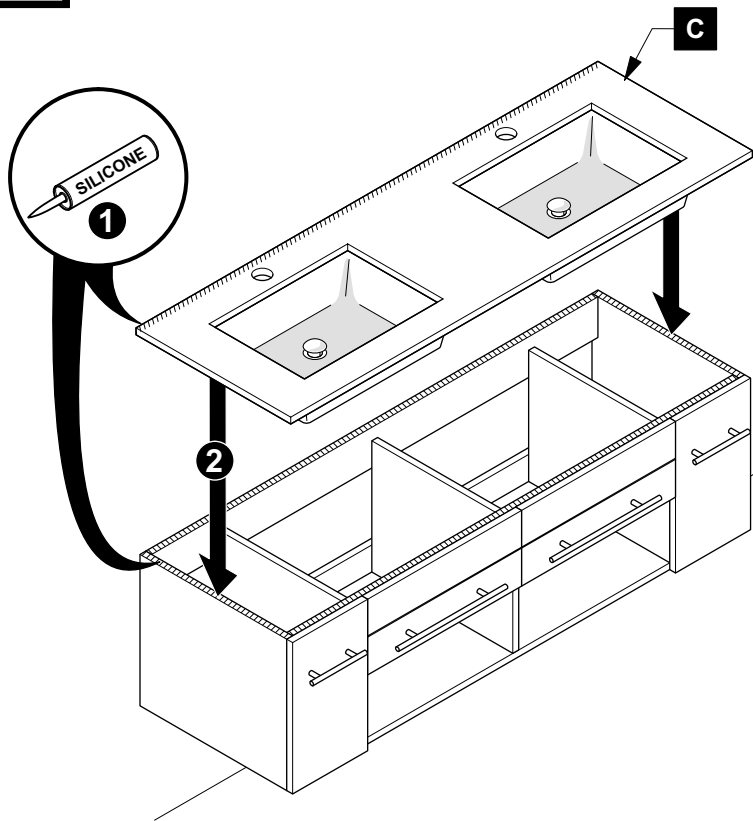
BELOW SINK INSTALLATION

3 Apply silicone and install sinks (B)



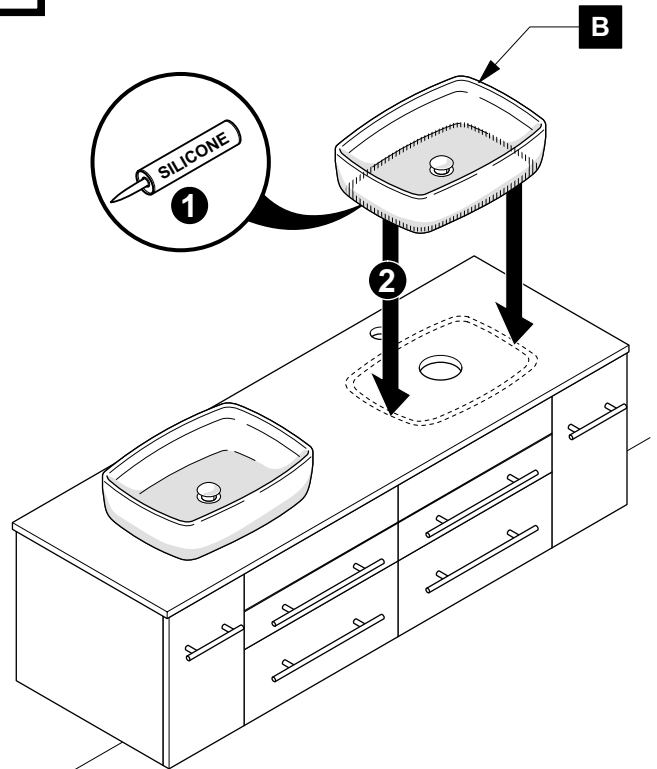
4

Install countertop (C)



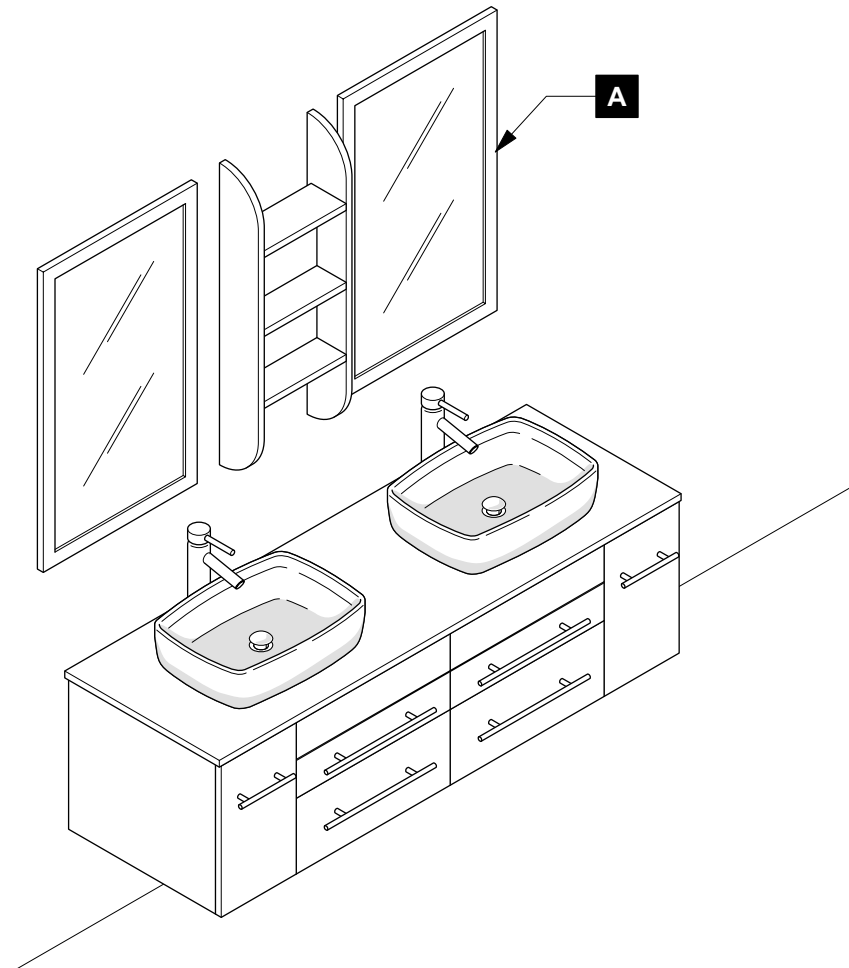
5

Install sinks (E)



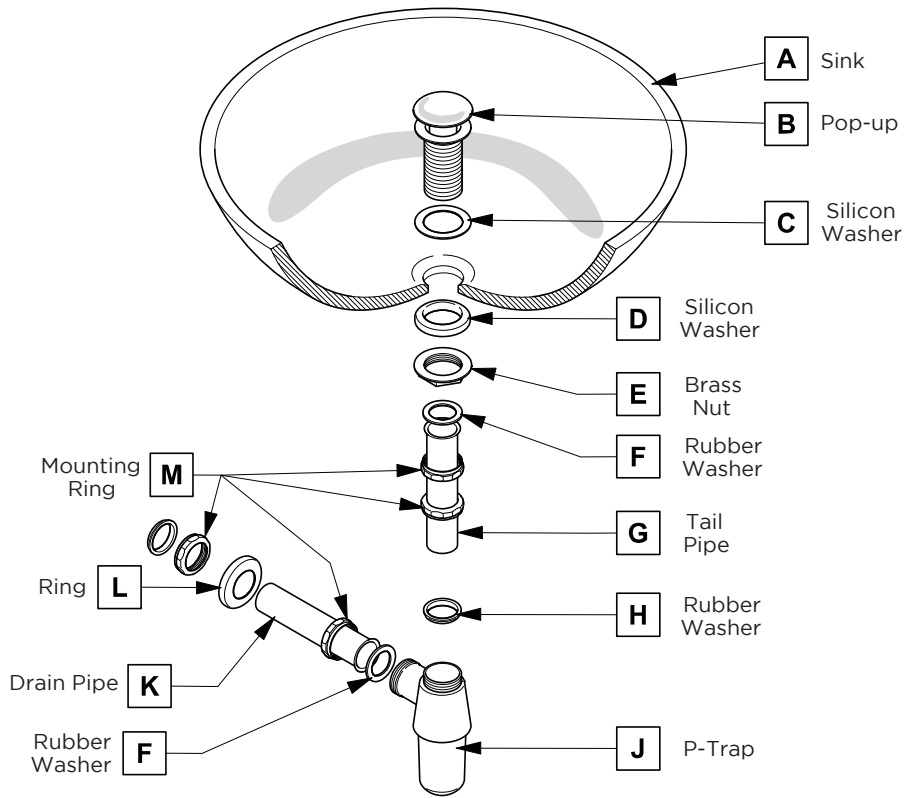
6

Install mirror (A)



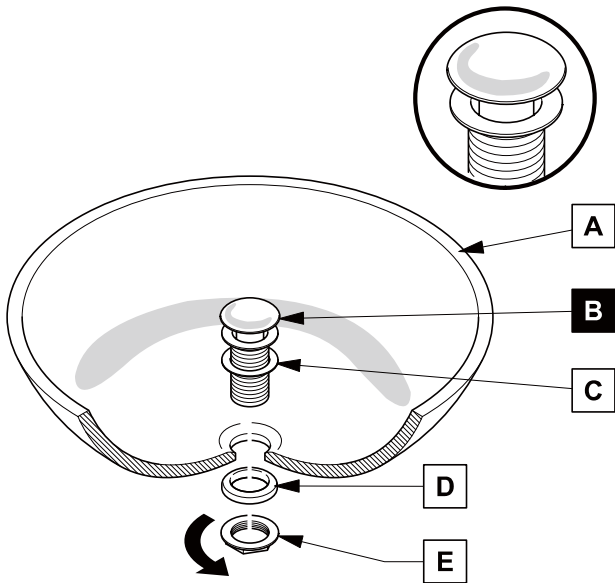
P-TRAP AND POP-UP INSTALLATION INSTRUCTIONS

Your item may appear slightly different from the illustration



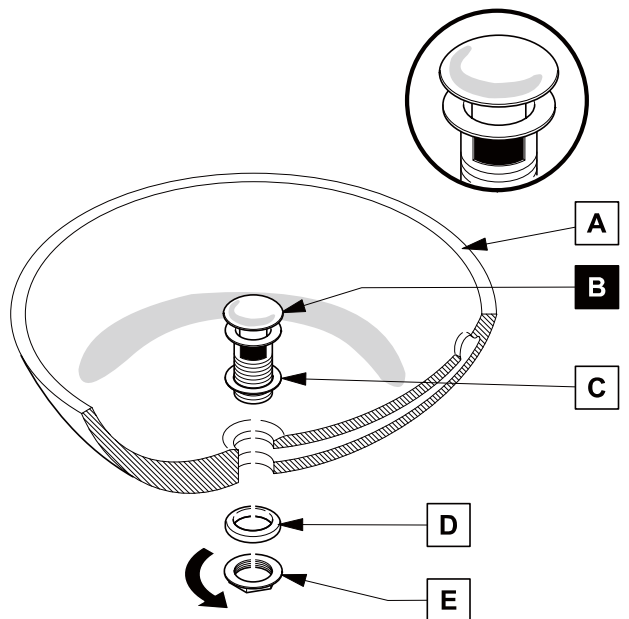
POP-UP INSTALLATION

FOR SINKS WITHOUT OVERFLOW



OR

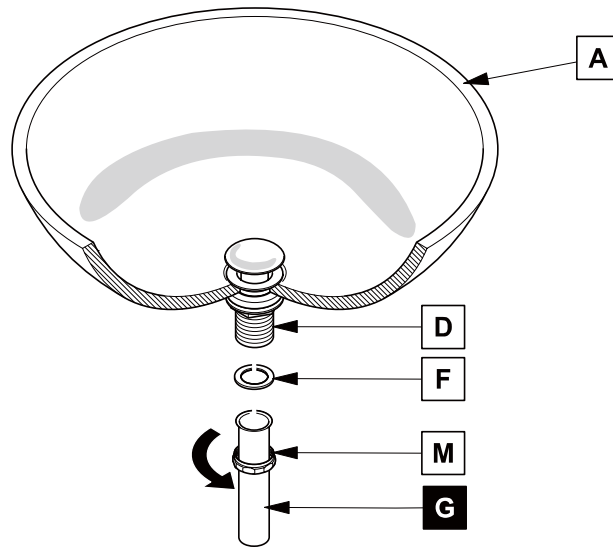
FOR SINKS WITH OVERFLOW



P-TRAP INSTALLATION

1

Install tail pipe (G)



2

Install p-trap (J)

