



# WINDSOR

## INSTALLATION GUIDE

### FVN2436

## CONTENTS:

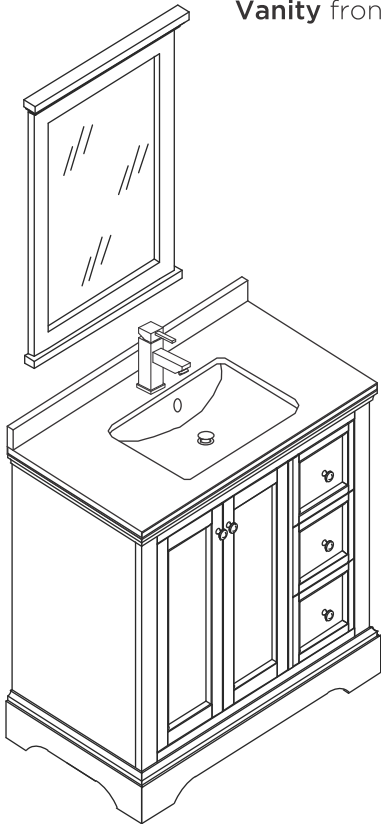
Mirror .....	FMR2427 .....	PAGE 2
Cabinet .....	FCB2436 .....	PAGE 3
Sink .....	FCT2036WH-CMB .....	PAGE 3



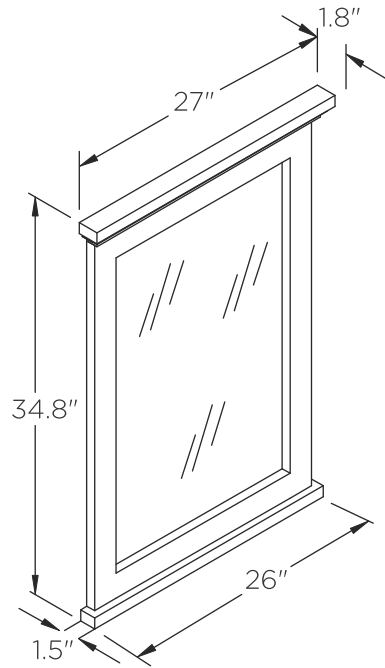
# FVN2436 WINDSOR INSTALLATION GUIDE



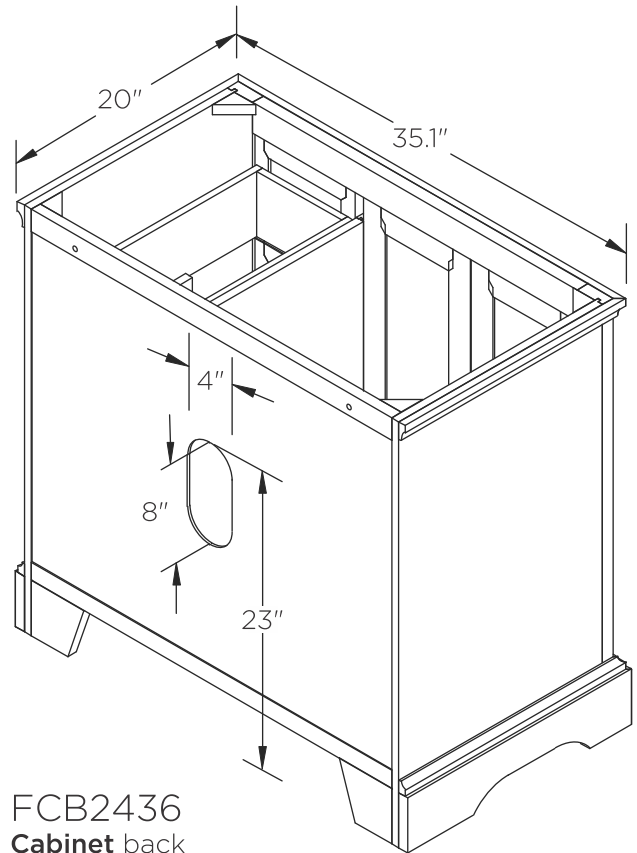
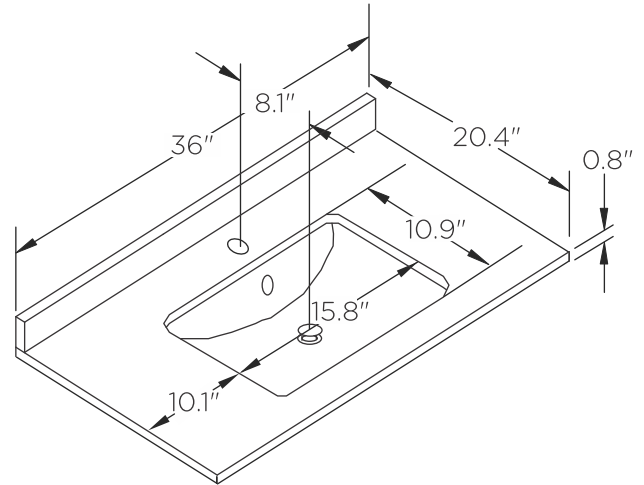
FVN2436  
Vanity front



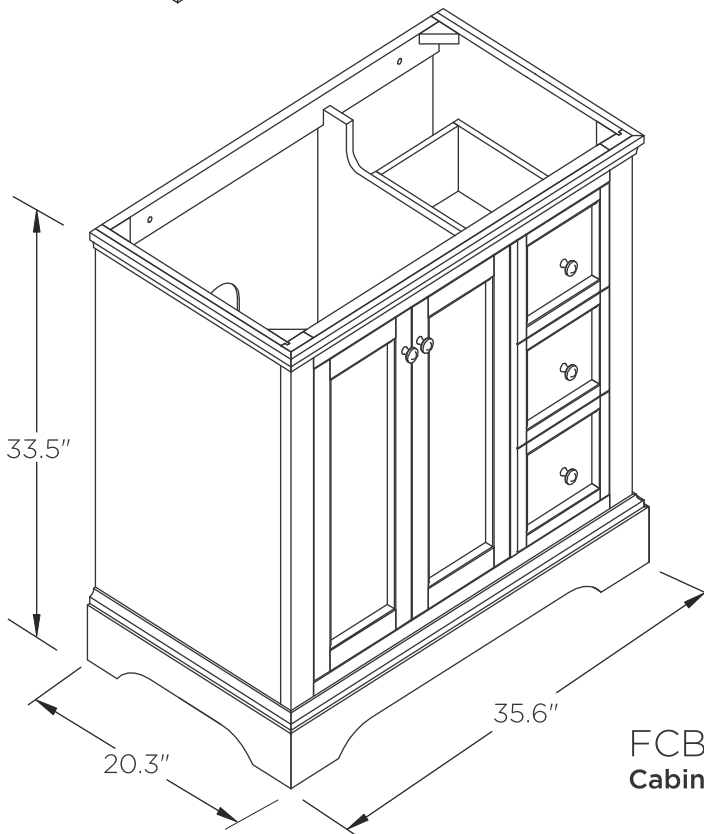
FMR2427  
Mirror front



FCT2036WH-CMB  
Counter Top front



FCB2436  
Cabinet back



FCB2436  
Cabinet front

**NOTE:** All dimensions & specifications are approximate and subject to change without notice.

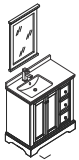


**FVN2436**

**WINDSOR**

**INSTALLATION GUIDE**

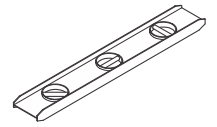
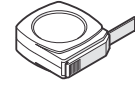
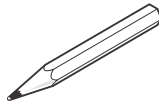
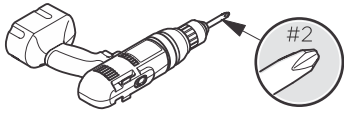
PAGE 1



# FVN2436 WINDSOR INSTALLATION GUIDE

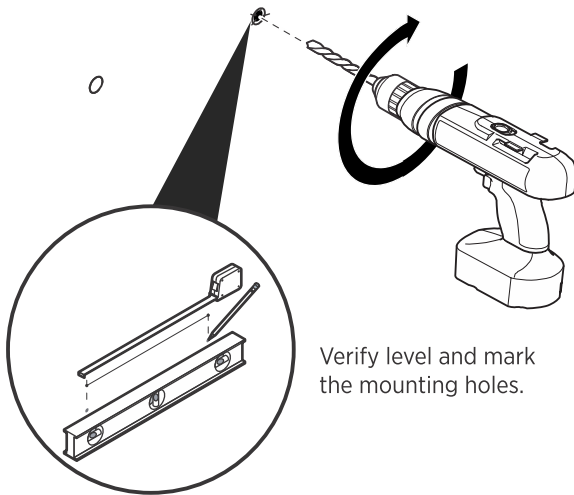


## TOOLS FOR ASSEMBLY



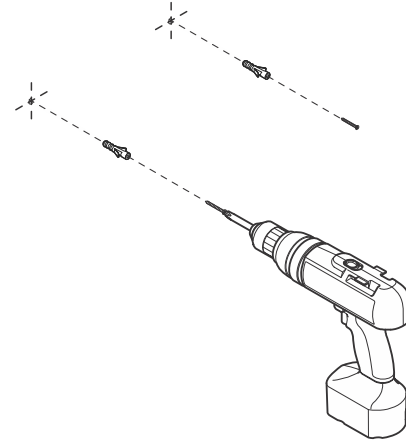
## MIRROR INSTALLATION

- 1** Measure distance between the holes and mark it on the wall using a level.



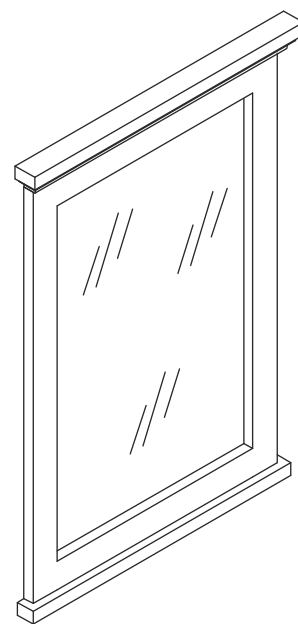
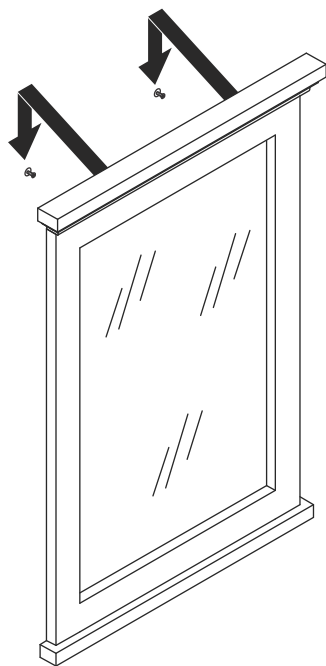
Verify level and mark the mounting holes.

- 2** Press the anchors in the holes and insert the screws with a drill or screwdriver.



**IMPORTANT:** Consult an expert for the proper screws/bolts to use when attaching to various constructions. Screws provided do not attach to all wall construction types. Anchors are not required if brackets are installed in stud.

- 3** Hang mirror on the screws.

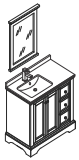


FVN2436

WINDSOR

INSTALLATION GUIDE

PAGE 2

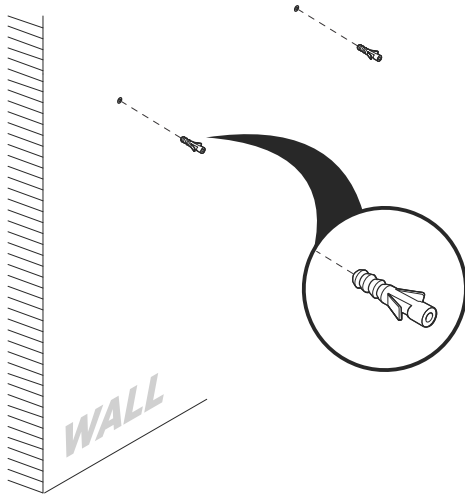


# FVN2436 WINDSOR INSTALLATION GUIDE



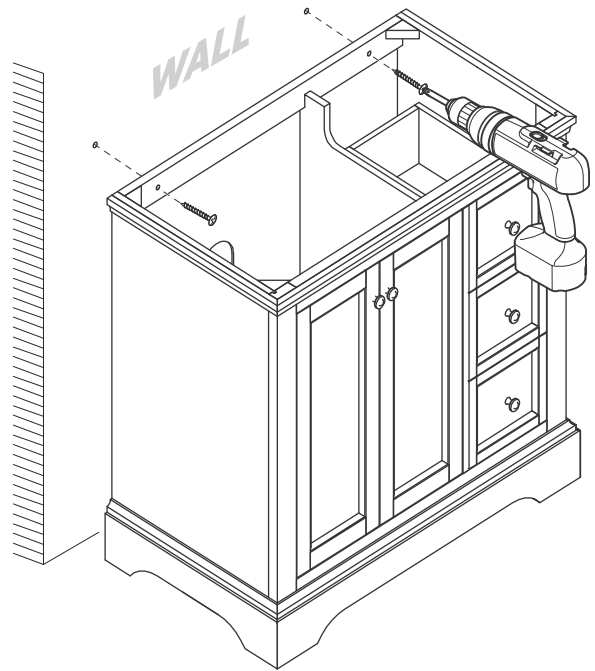
## CABINET INSTALLATION

- 1** Drill holes in the wall and insert the anchors.

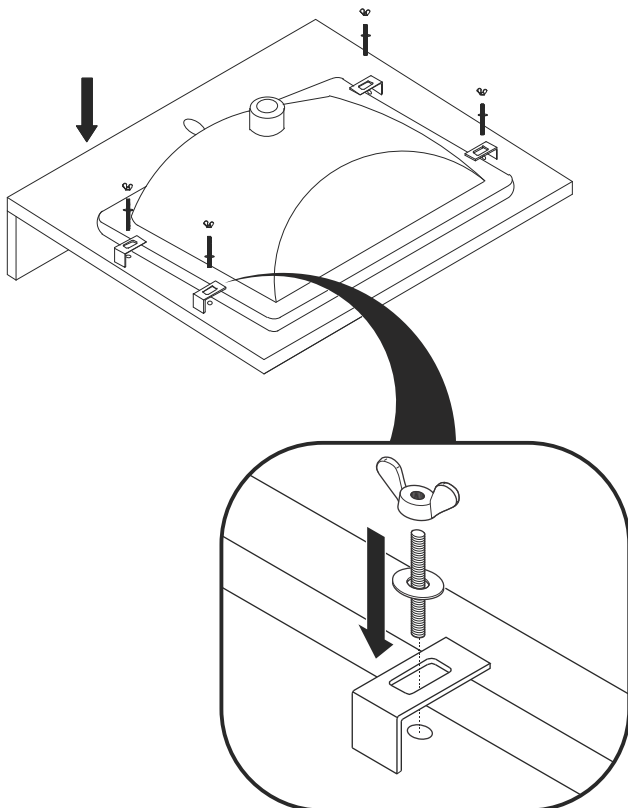


**IMPORTANT:** Consult an expert for the proper screws/bolts to use when attaching to various constructions. Screws provided do not attach to all wall construction types. Anchors are not required if brackets are installed in stud.

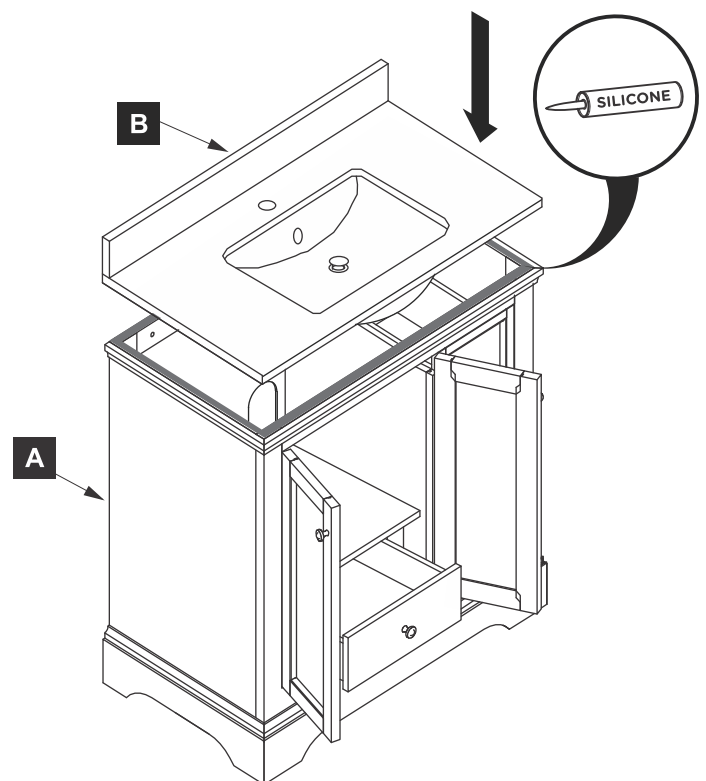
- 2** Mark anchor mounting hole locations on the wall as shown.



- 3** Flip counter top upside down and attach sink to it using provided brackets & screws.



- 4** Apply silicone to the top of the cabinet (A) and place counter top with sink (B) already attached to it.



**FVN2436**

**WINDSOR**

**INSTALLATION GUIDE**

PAGE 3



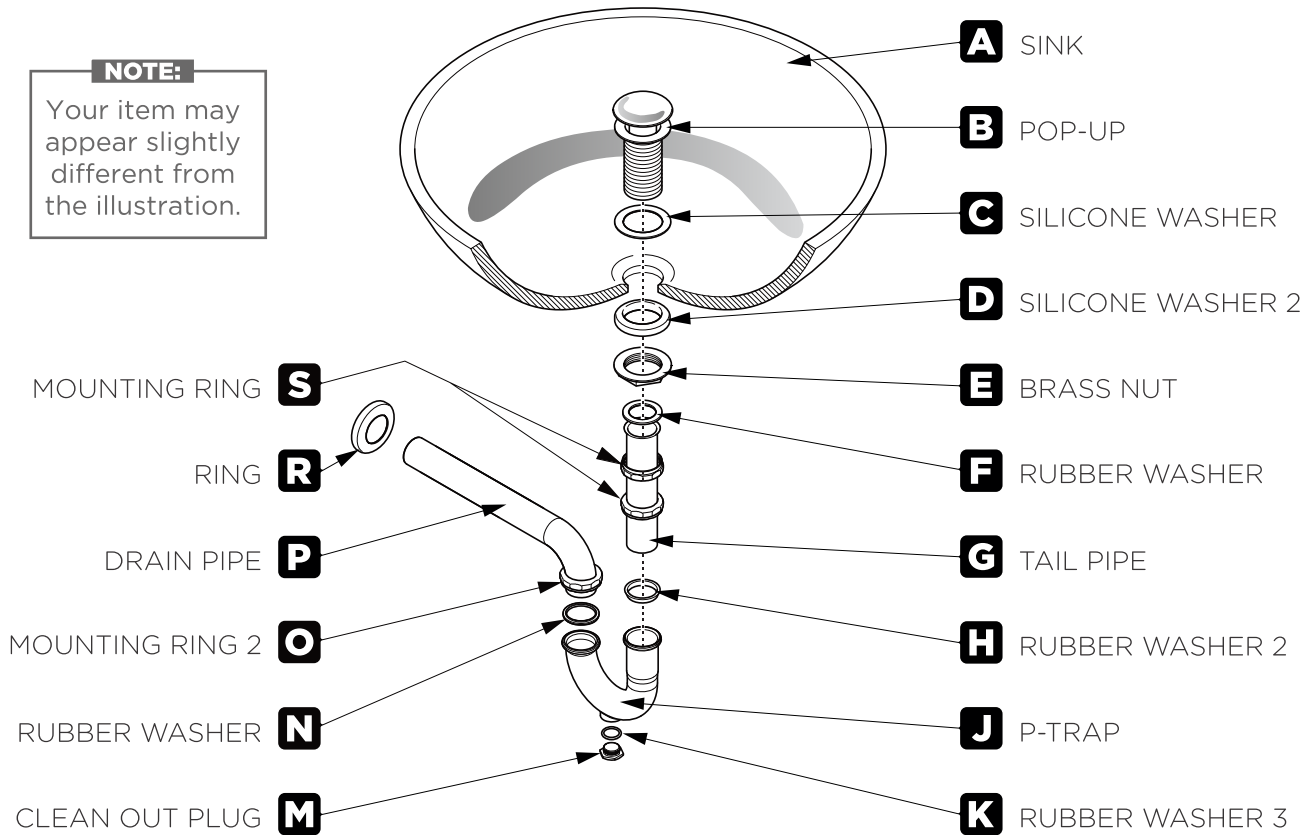
# FVN2436 WINDSOR

## INSTALLATION GUIDE



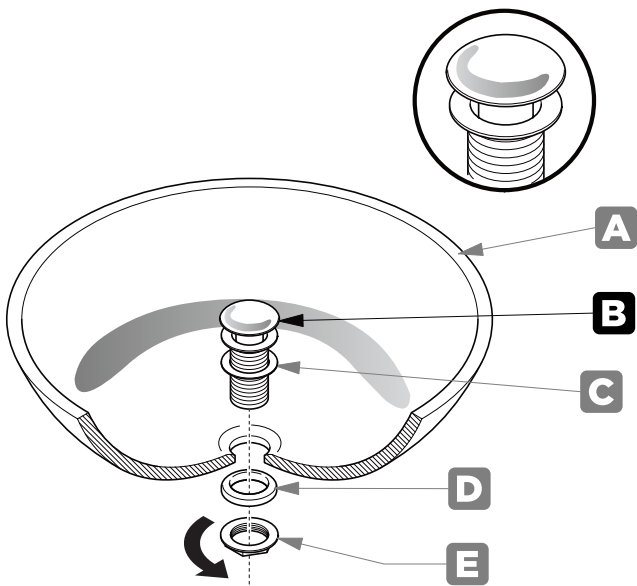
### P-TRAP & POP-UP INSTALLATION INSTRUCTIONS

**NOTE:**  
Your item may appear slightly different from the illustration.



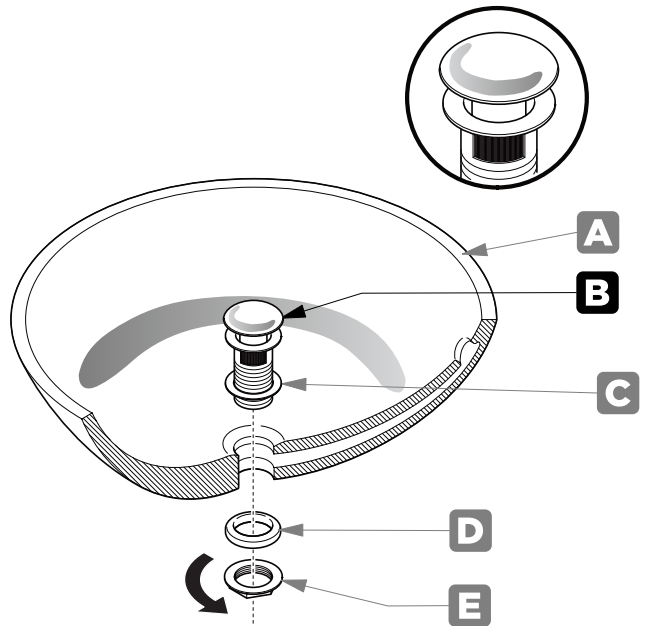
### POP-UP INSTALLATION

**FOR SINKS WITHOUT OVERFLOW**



OR

**FOR SINKS WITH OVERFLOW**

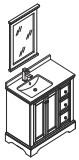


**FVN2436**

**WINDSOR**

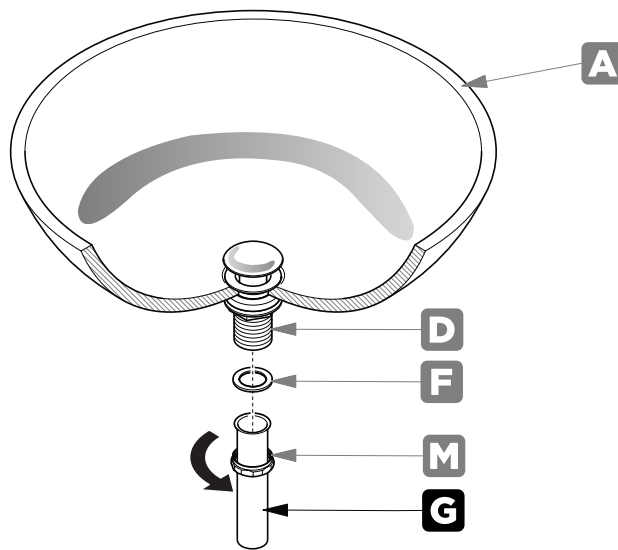
**INSTALLATION GUIDE**

PAGE 4



### P-TRAP INSTALLATION

**1** Install tail pipe (G)



**2** Install p-trap (J)

