



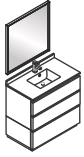
FORMOSA

INSTALLATION GUIDE

FVN3136ACA-FC

CONTENTS:

Mirror.....	FMR3132ACA.....	PAGE 2
Cabinet.....	FCB3136ACA.....	PAGE 3
Sink.....	FCT2036WH-CMB.....	PAGE 3



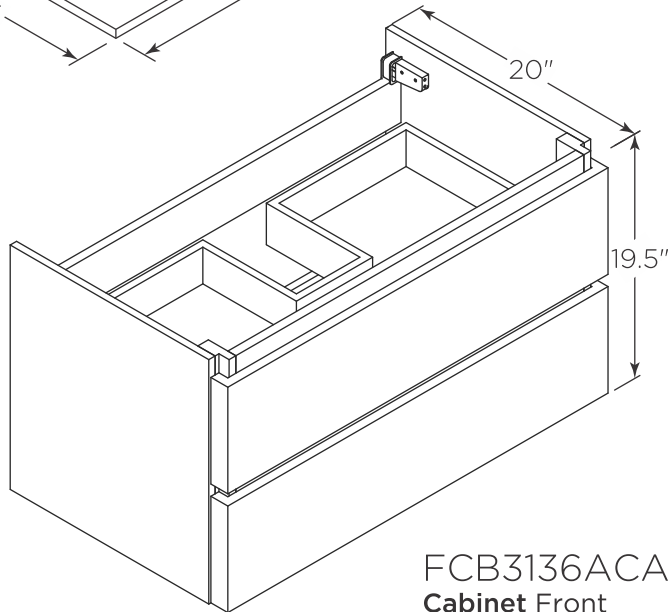
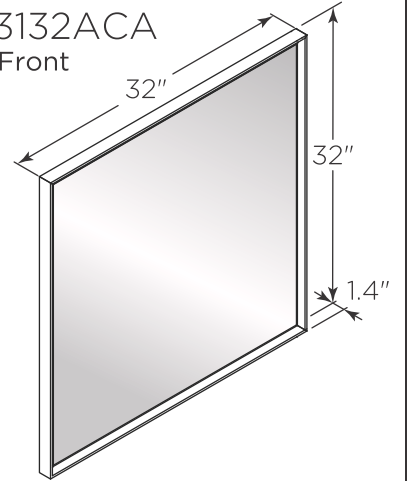
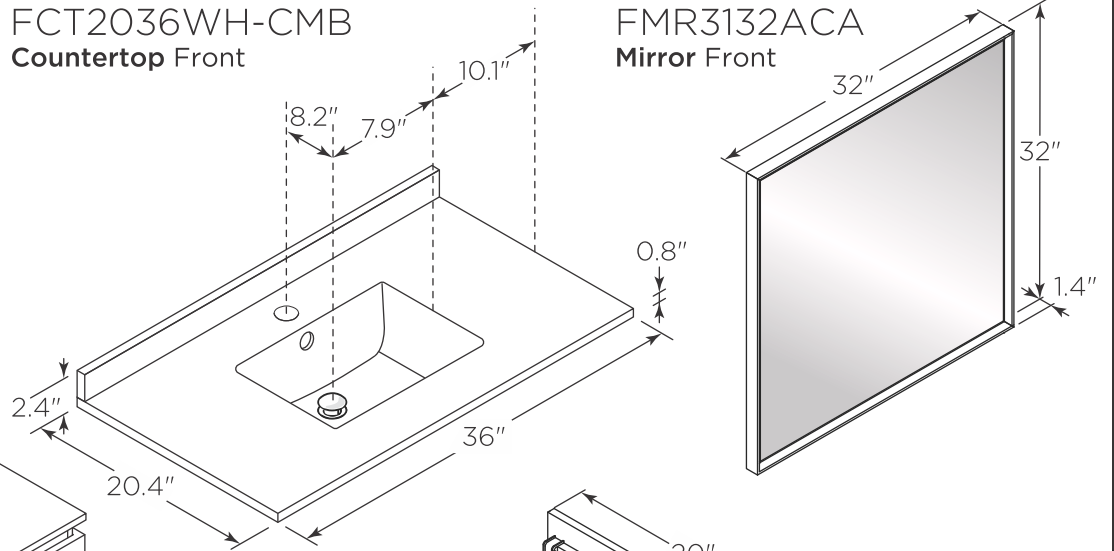
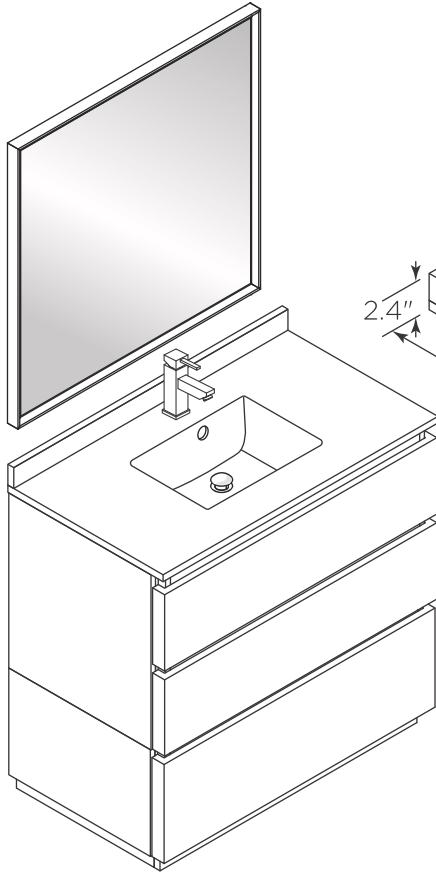
FVN3136ACA-FC FORMOSA INSTALLATION GUIDE



FVN3136ACA-FC
Vanity Front

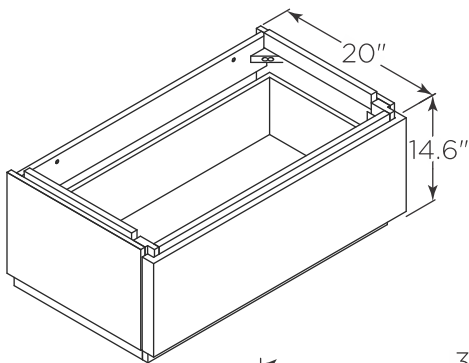
FCT2036WH-CMB
Countertop Front

FMR3132ACA
Mirror Front



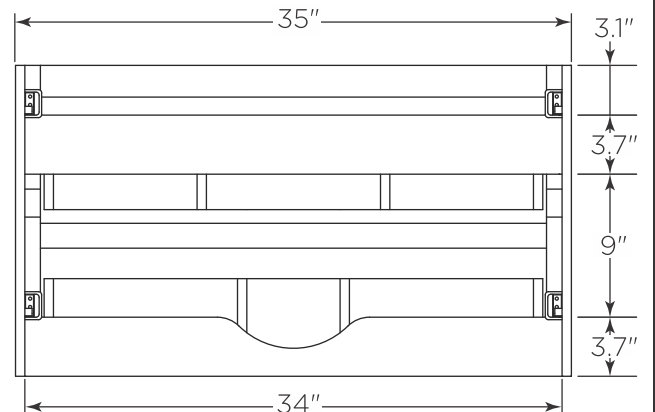
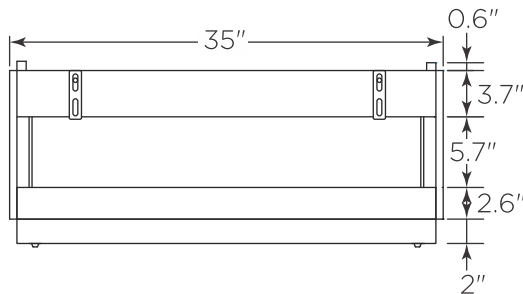
FCB3137ACA
Bottom Cabinet Front

FCB3136ACA
Cabinet Front

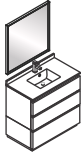


FCB3136ACA
Cabinet Back

FCB3137ACA
Bottom Cabinet Back



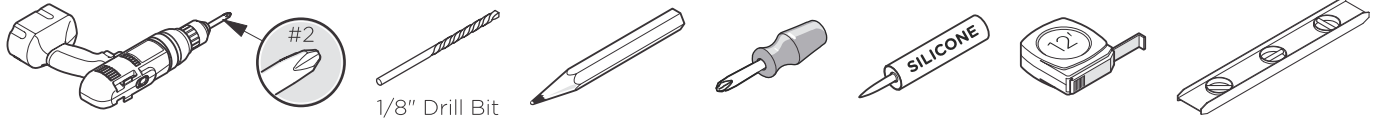
NOTE: All dimensions & specifications are approximate and subject to change without notice.



FVN3136ACA-FC FORMOSA INSTALLATION GUIDE

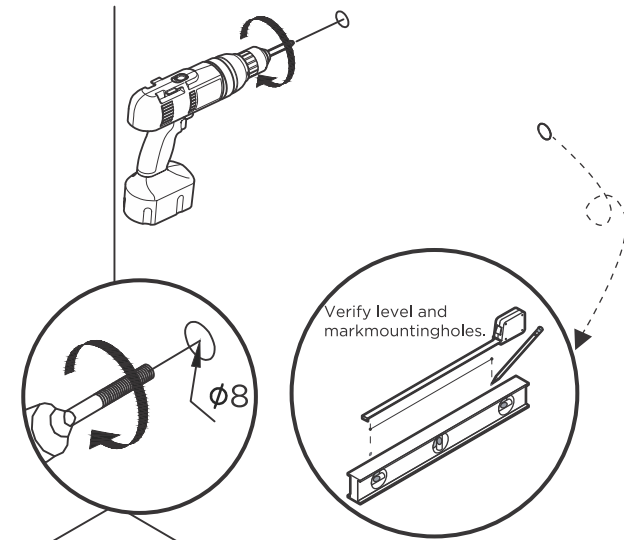


TOOLS FOR ASSEMBLY

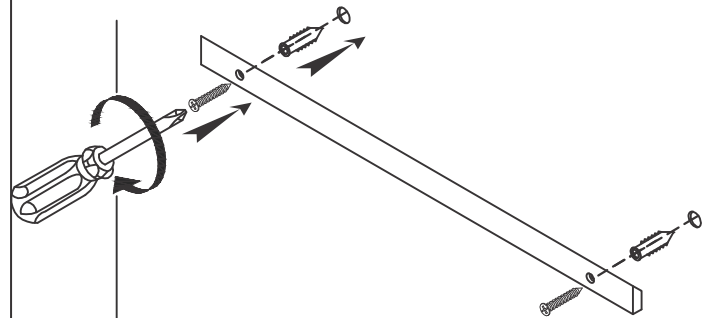


MIRROR INSTALLATION

- 1** Measure distance between the holes and mark it on the wall using a level.

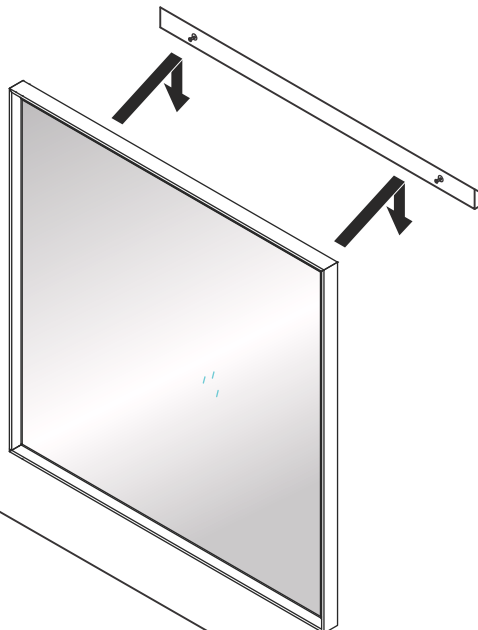


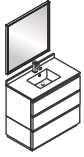
- 2** Press the anchors into the holes.



IMPORTANT: Consult an expert for the proper screws/bolts to use when attaching to various constructions. Screws provided do not attach to all wall construction types. Anchors are not required if brackets are installed in stud.

- 3** Hang mirror on the screws.

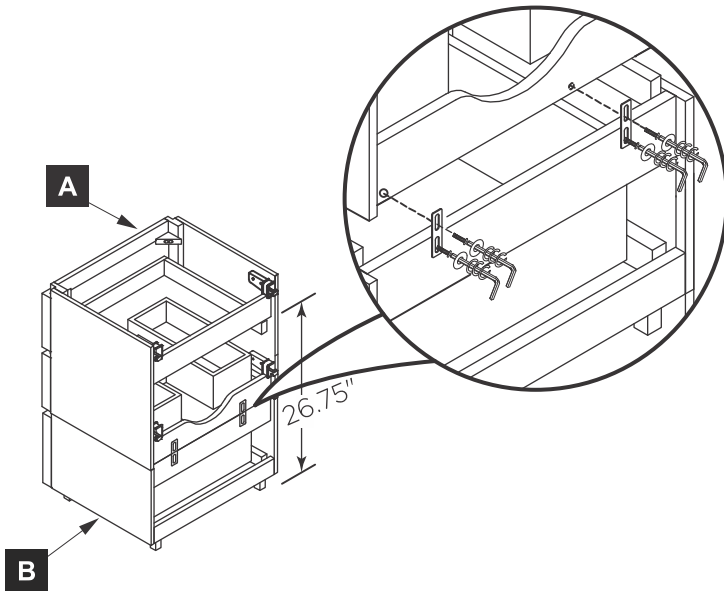




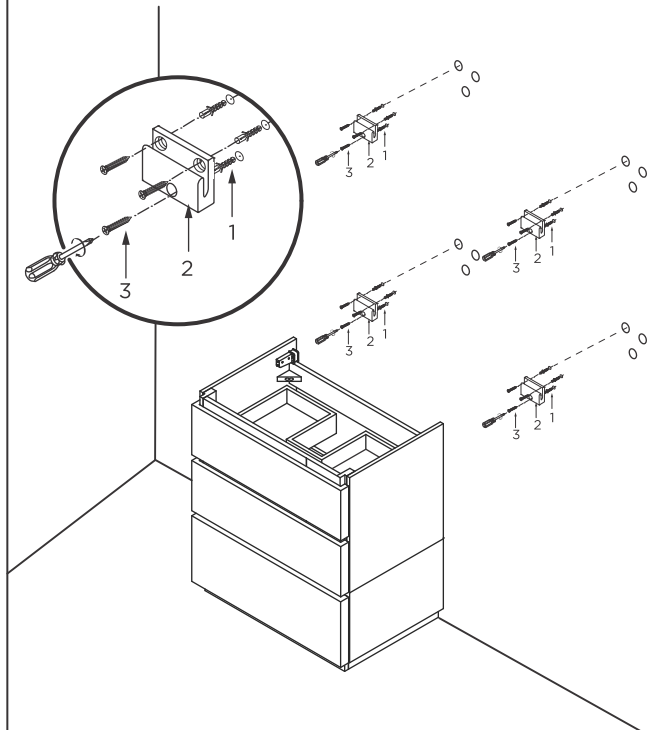
CABINET AND SINK INSTALLATION

1 Connect cabinet (A) to cabinet (B) with iron sheet.

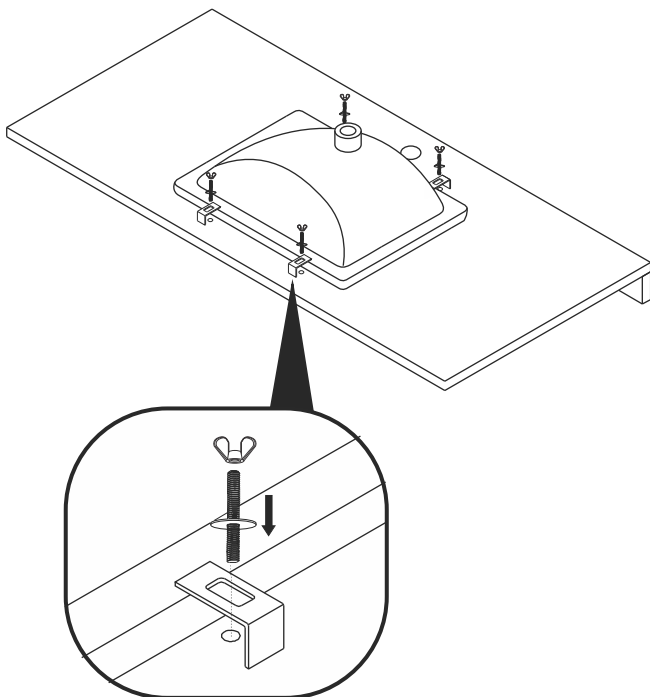
IMPORTANT: Consult an expert for the proper screws/bolts to use when attaching to various constructions, Screws provided do not attach to all wall construction types. Anchors are not required if brackets are installed in stud.



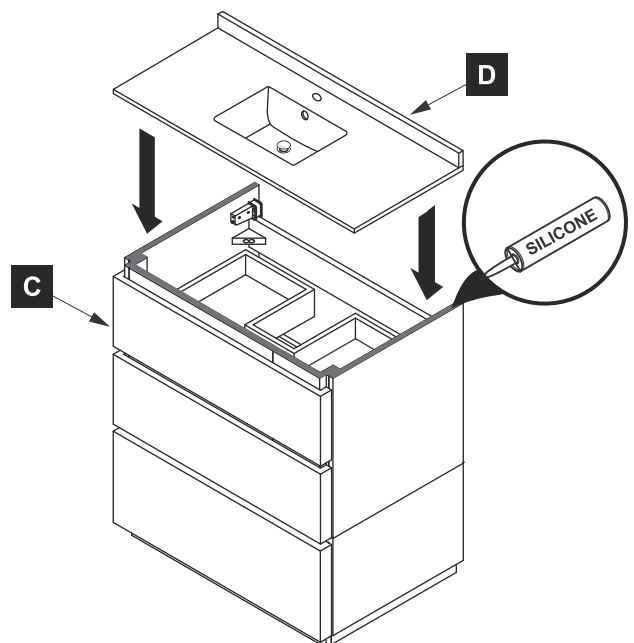
2 Mark anchor mounting hole locations on wall as shown. Drill holes in the finished wall as required. Then insert the anchor(1) into the holes and secure the wall bracket(2) with the screws(3).

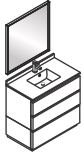


3 Install sink.



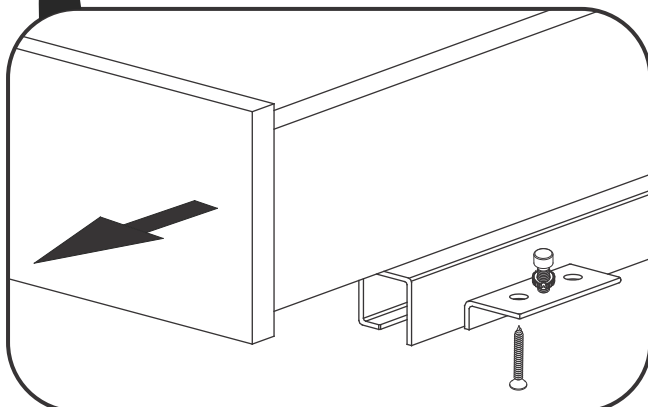
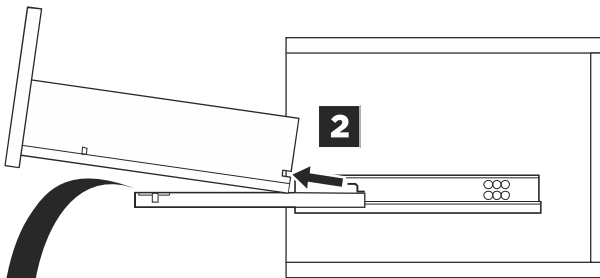
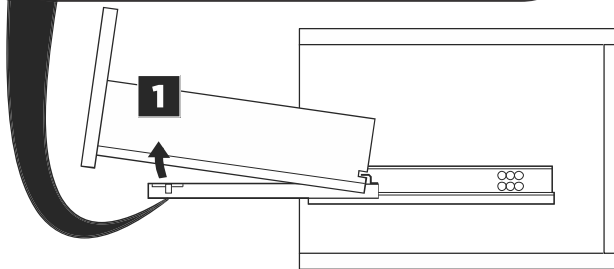
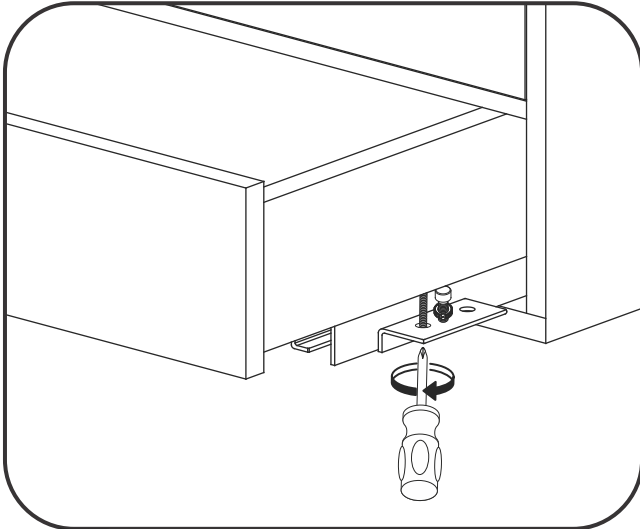
4 Apply a bead of silicone on the top of the cabinet (C) and place sink (D) on the cabinet.



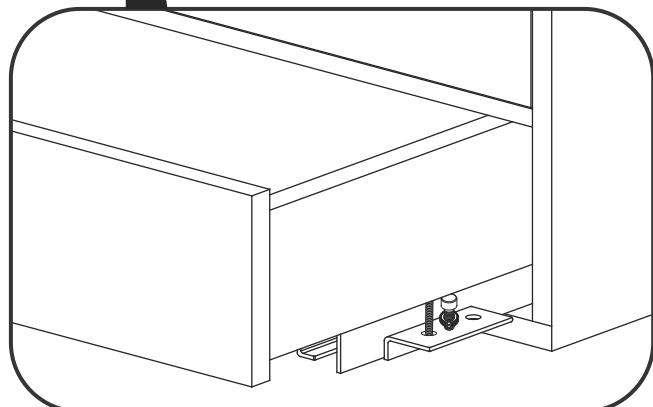
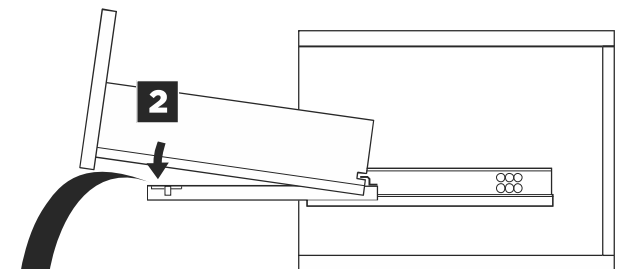
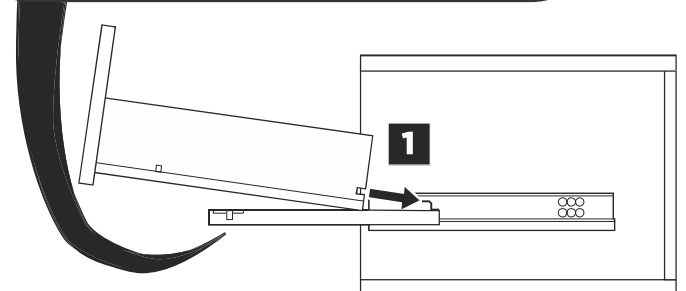
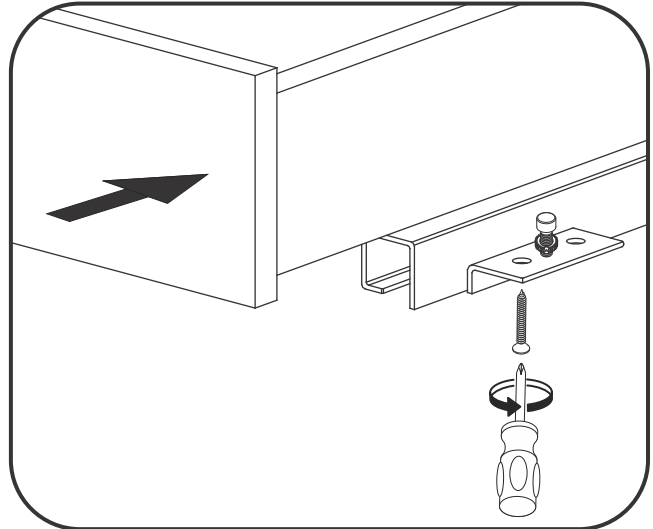


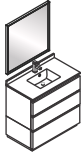
DRAWER REMOVAL & INSTALLATION

REMOVAL



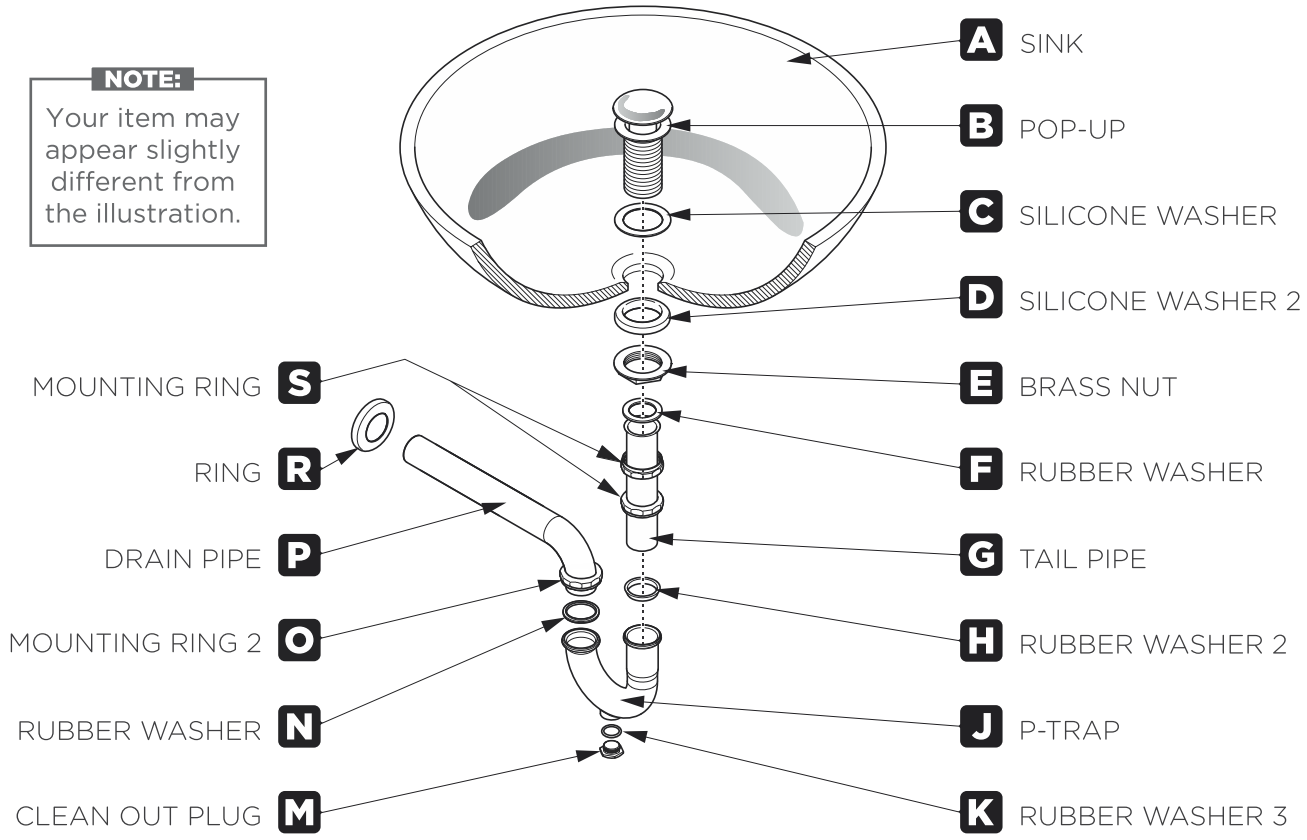
INSTALLATION





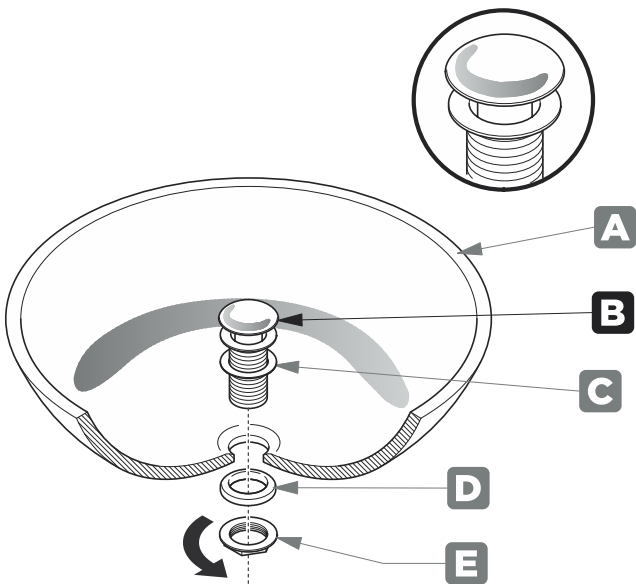
P-TRAP AND POP-UP INSTALLATION INSTRUCTIONS

NOTE:
Your item may appear slightly different from the illustration.



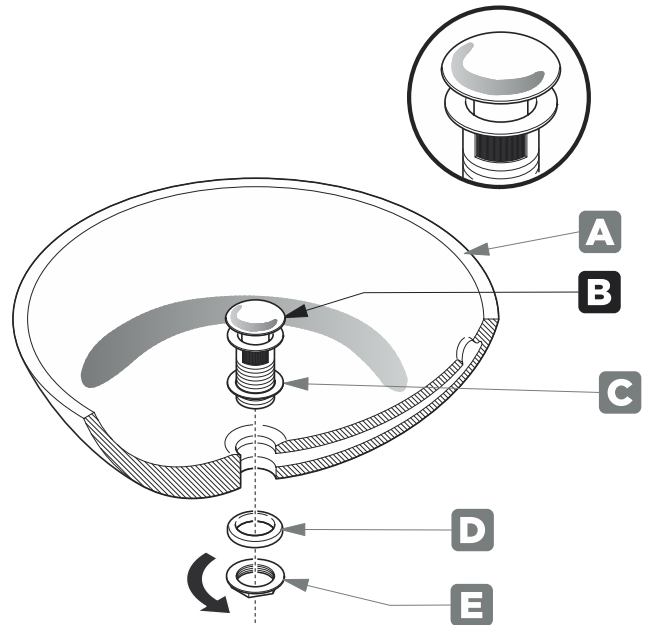
POP-UP INSTALLATION INSTRUCTIONS

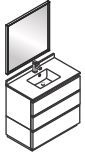
FOR SINKS WITHOUT OVERFLOW



OR

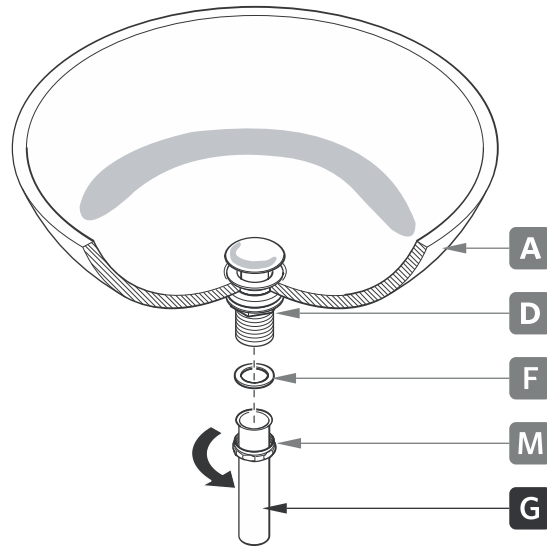
FOR SINKS WITH OVERFLOW





P-TRAP INSTALLATION

1 Install tail pipe (G)



2 Install p-trap (J)

